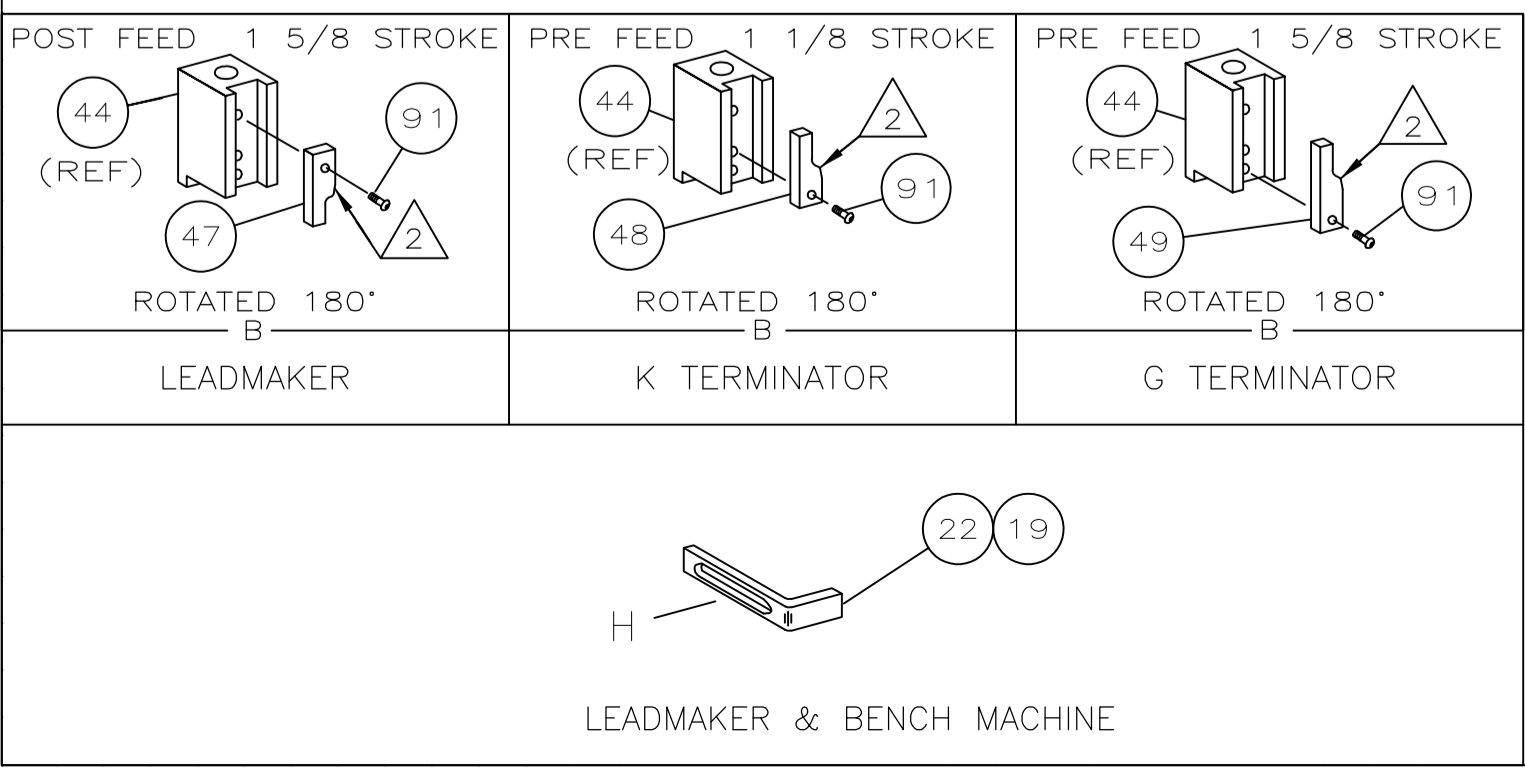
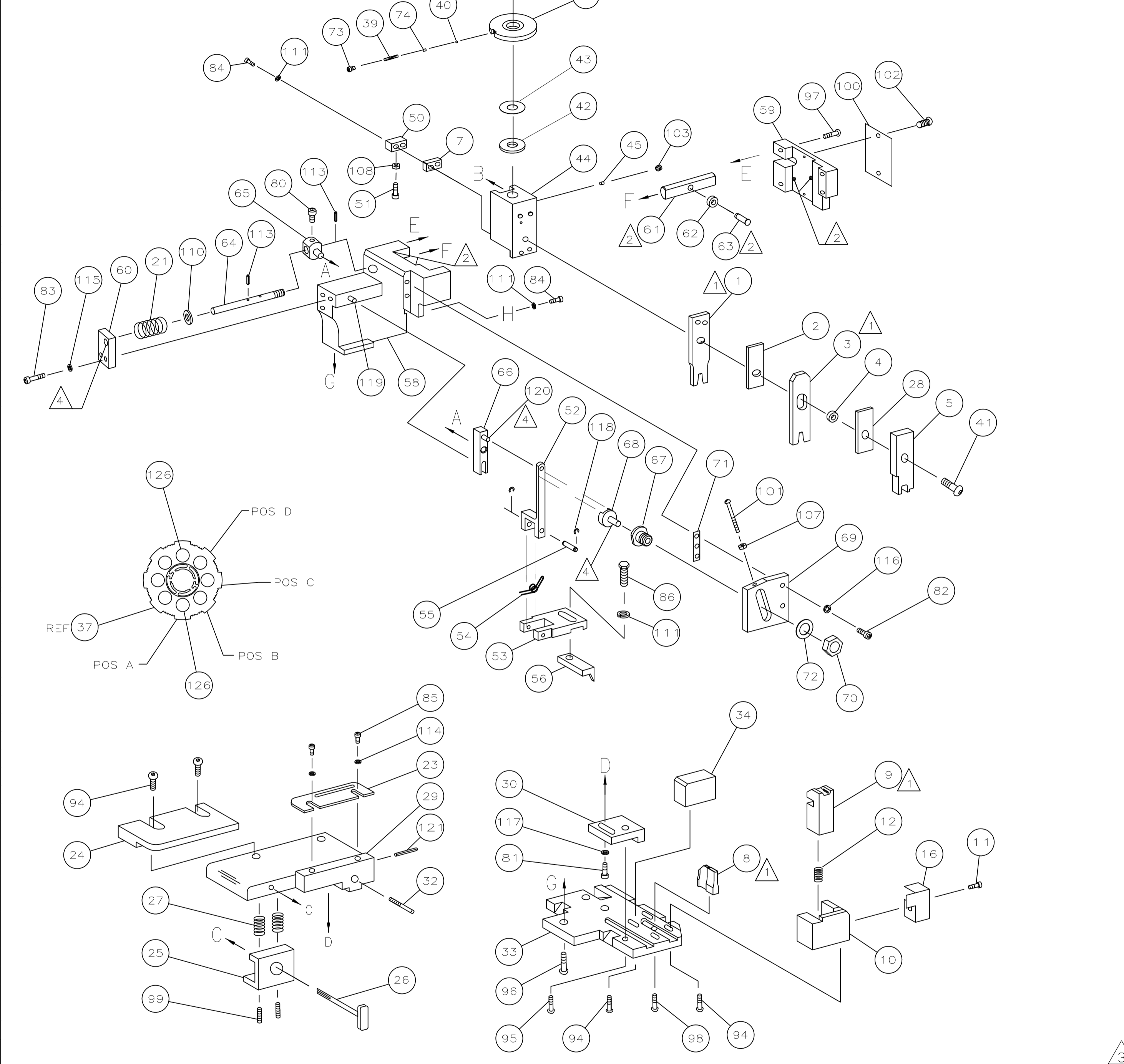
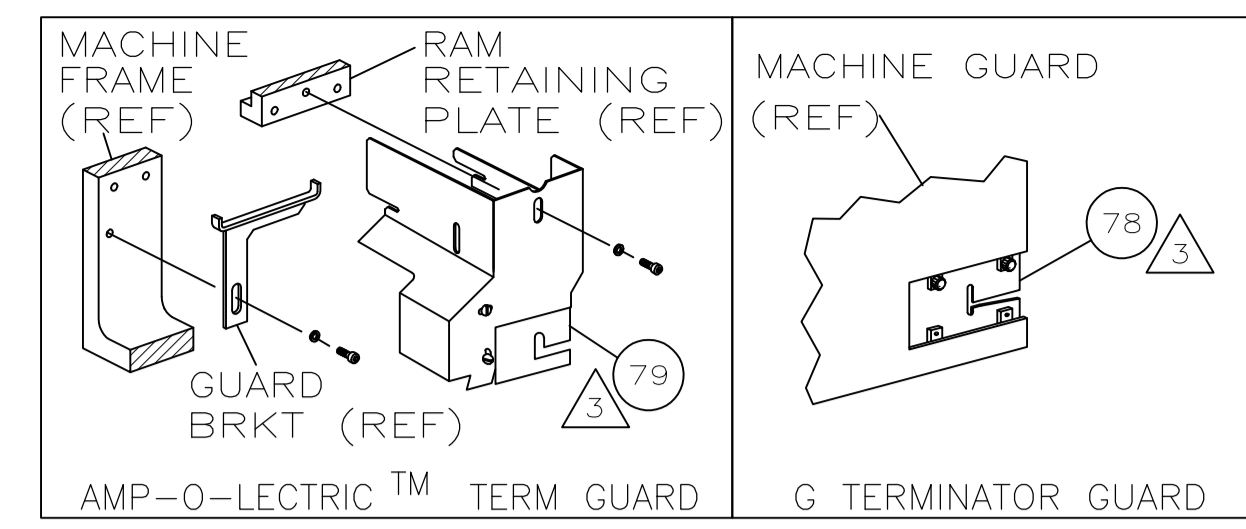


PART NUMBER	REV	FIRST USED
1385727-1	B	122500-1
1385727-2	B	565435-5
1385727-3	B	354500-1

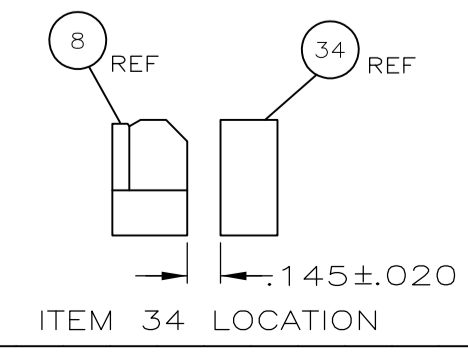


- 1 RECOMMENDED SPARE PARTS.
- 2 GREASE LIGHTLY.
- 3 GUARD MUST BE IN PLACE WHEN OPERATING APPLICATOR IN A BENCH MACHINE.
- 4 LUBRICATE DAILY USING NO. 20 MACHINE OIL.
- 5. ITEMS WITH QTY OF REF SPECIFIED (EXCEPT ITEMS 78 AND 79) ARE USED ON ITEM 46.
- 6 SEE DRAWING 1456216

TERMINAL NAME: AUTOMOTIVE SOCKET CONTACT

AMP TERMINAL	AMP CRIMP SPECS
PAD LTR	CRIMP HEIGHT
A	.046 ±.002 [1.18 ±.05mm]
B	NOT
C	NOT
D	NOT
CRIMP	SIZE
WIRE	.076 [1.93mm]
INSUL	.100 [2.54mm]
TYPE	F
RANGE	.086-.115
WIRE STRIP LENGTH	TERM APPL SPEC
.165±.010	NONE
FEED	.315
APPL INSTRUCTION	408-8040
SET UP GAGE	458637-1
LAYOUT	L2963

QTY	REF	DESCRIPTION	ITEM NO
2	2	4-354779-3 PIN, WIRE DISC (.3205)A	126
1	1	986950-1 WASHER, FLAT PRECISION	125
1	1	217238-1 GENERAL INSTRUCTION PACKAGE	124
1	1	4088040 SF APPL INST 408-8040	123
1	1	4-21028-0 PIN,SLT SPR(Ø.093x.75)ST GDE PL	122
REF	REF	1-21030-1 PIN,DOWEL(Ø.187x.50)LEVER	120
REF	REF	1-21030-6 PIN,DOWEL(Ø.187x1.25)HOUSING	119
REF	REF	21045-3 RING,RET "C"(Ø.187)FD FING PIN	118
1	1	21024-5 WASHER, LOCK(#10)ADJ BLOCK	117
REF	REF	21024-5 WASHER,LOCK(#10)ADJ PLATE	116
REF	REF	21024-5 WASHER,LOCK(#10)FEED GDE ROD	115
2	2	21024-2 WASHER,LOCK(#4)FRONT STP GUIDE	114
REF	REF	5-21028-1 PIN,SLT SPR(Ø.125x.50)ADJ ROD	113
4	4	21024-4 WASHER,LOCK(#8)STRIPPER	111
REF	REF	21899-4 WASHER,FLAT(Ø5/16)SCREW ADJ	110
1	1	21018-5 NUT,HEX(NO.6)HOLDDOWN	108
REF	REF	21068-5 NUT,HEX(6-32)FEED ADJ	107
1	1	21009-2 SCR,SKT SET(1/4-20x.25 LW)RAM	103
2	2	21017-2 SCR,DRIVE(#2x.19)ID PLATE	102
REF	REF	6-23715-5 SCR,PAN HD(6-32x1.50)FEED ADJ	101
1	1	461264-1 PLATE, IDENTIFICATION	100
2	2	5-21006-6 SCR,SET(10-32x.75)DRAG	99
1	1	22733-8 SCR,BHC(8-32x.38 LW)ANVIL	98
REF	REF	2-21002-9 SCR,BHC(10-32x.75)CAP	97
REF	REF	2-22733-8 SCR,BHC(1/4-20x.62)HOUSING	96
REF	REF	2-21002-7 SCR,BHC(10-32x.50)SG ADJ BLOCK	95
6	6	2-21002-2 SCR,BHC(8-32x.50)TERM H DWN	94
1	1	1-21002-7 SCR,BHC(6-32x.38)CAM	91
1	1	2-22603-0 SCR,HEX HD(8-32x.31)FEED FINGER	86
2	2	1-21000-3 SCR,SHC(4-40x.25)FR ST GUIDE	85
3	3	2-21000-8 SCR,SHC(8-32x.38)STRIPPER	84
REF	REF	3-21000-7 SCR,SHC(10-32x.75)FEED ROD GD	83
REF	REF	3-21000-6 SCR,SHC(10-32x.62)FD ADJ BLK	82
1	1	3-21000-4 SCR,SHC(10-32x.38)SG ADJ BL	81
REF	REF	3-21000-4 SCR,SHC(10-32x.38)PIVOT BLK	80
REF	REF	455749-1 GUARD, WINDOW	79
REF	REF	679532-1 INSERT, GUARD	78
1	1	690603-1 SPRING, ASSIST	74
1	1	23030-1 SCR,SHC(6-32x.25 SL)INS DISC	73
REF	REF	458109-1 WASHER, SPECIAL	72
REF	REF	690517-1 SPACER	71



LOC	DIST	REV	DESCRIPTION	DATE	OWN	APVD
A	66	B2	ECR-09-006210	3-2009	MY	te

REV	DESCRIPTION
-1	LEADMAKER
-2	BENCH MODEL K
-3	BENCH MODEL G

QTY	REF	DESCRIPTION	ITEM NO
1	1	458537-2 PAWL, FEED	56
REF	REF	240624-1 PIN, FEED FINGER	55
REF	REF	691499-1 SPRING, FEED FINGER	54
REF	REF	690541-1 HOLDER, FEED FINGER	53
REF	REF	455679-1 LEVER, TERMINAL FEED ARM	52
1	1	811242-2 BUMPER, HOLDDOWN	51
1	1	690753-1 SPACER, TONKER	50
1	-	690602-6 CAM, PRE-FEED 1 5/8 ST	49
-	1	690602-5 CAM, PRE-FEED 1 1/8 ST	48
-	-	690501-4 CAM, POST-FEED 1 5/8 ST	47
1	1	459456-1 APPLICATOR, BASIC (SUBASSY)	46
1	1	690191-1 PLUG, NYLON	45
1	1	455673-1 RAM	44
1	1	690125-1 WASHER, LAMINATED	43
1	1	690124-1 WASHER, RAM	42
1	1	7-21002-9 BOLT, CRIMPER(5/16x1.00)	41
1	1	23241-6 BALL, STEEL	40
1	1	690170-1 SPRING, COMPRESSION	39
1	1	690142-1 DISC, INSULATION	38
1	1	354777-1 WIRE DISC, PLASTIC	37
1	1	22480-5 WASHER, SPRING	36
1	1	690212-1 POST, RAM	35
1	1	690786-6 SUPPORT, TERMINAL	34
REF	REF	455675-1 PLATE, BASE	33
1	1	690432-3 SCREW, ADJUSTMENT	32
REF	REF	455689-1 BLOCK, STRIP GUIDE ADJ	30
1	1	455671-1 PLATE, STRIP GUIDE	29
1	1	1-455888-0 SPACER, FRONT SHEAR DEP	28
2	2	1-22284-0 SPRING, DRAG	27
1	1	690546-1 LEVER, DRAG RELEASE	26
1	1	240792-1 DRAG, TERMINAL	25
1	1	6-690504-8 GUIDE, STRIP (REAR)	24
1	1	690438-1 GUIDE, STRIP (FRONT)	23
-	-	690472-2 STRIPPER	22
REF	REF	4-22284-9 SPRING, FEED RETURN	21
1	1	691353-1 STRIPPER	20
1	1	318563-1 GUARD, CHIP, FRONT	16
1	1	3-22280-3 SPRING, SHEAR	12
1	1	690461-1 STOP, SHEAR	11
1	1	690459-1 HOLDER, SHEAR (FRONT)	10
1	1	1-454276-9 SHEAR, FLOAT (FRONT)	9
1	1	5-318711-1 ANVIL	8
1	1	2-240641-4 SPACER, DEPRESSOR (REAR)	7
1	1	1-455889-4 DEPRESSOR, SHEAR (FRONT)	5
1	1	238011-7 SPACER, BLOCK CRIMPER	4
1	1	3-683453-0 CRIMPER, INSULATION	3
1	1	455888-2 SPACER, CRIMPER	2
1	1	5-1490019-4 CRIMPER, WIRE	1

THIS DRAWING IS A CONTROLLED DOCUMENT.

APPROVED: [Signature] DATE: 02MAR04

DESIGNED: [Signature] DATE: 02MAR04

Tyco Electronics Corporation
 Harrisburg, PA 17105-3608

SIDE FEED HDM APPLICATOR

SIZE: A1 CAGE CODE: 00779 DRAWING NO: 1385727

CUSTOMER DRAWING