

10

9

8

7

6

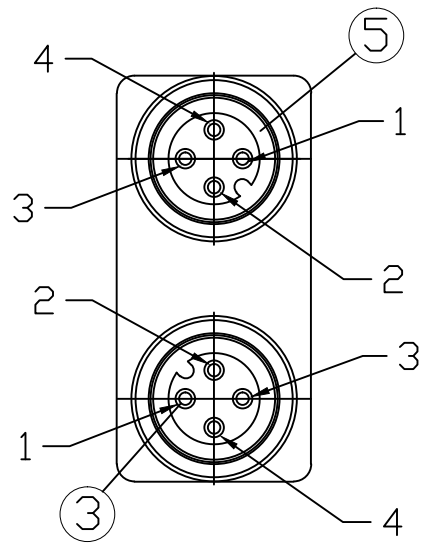
5

4

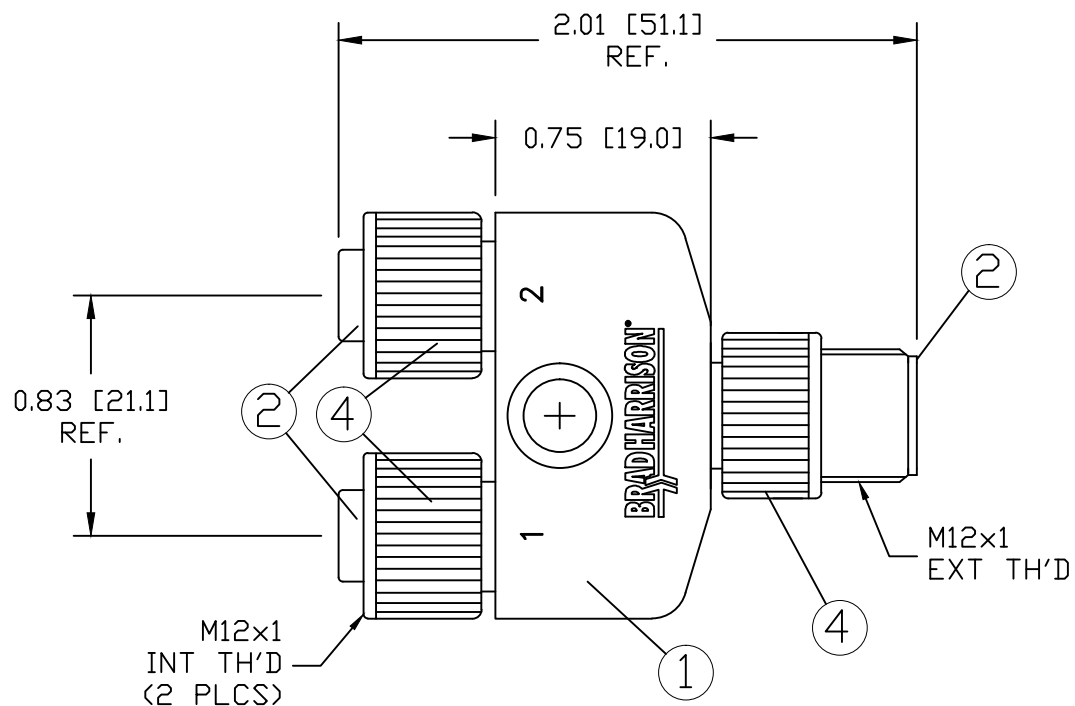
3

2

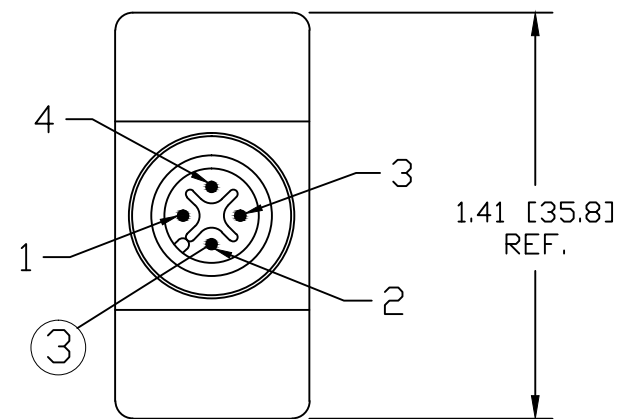
1



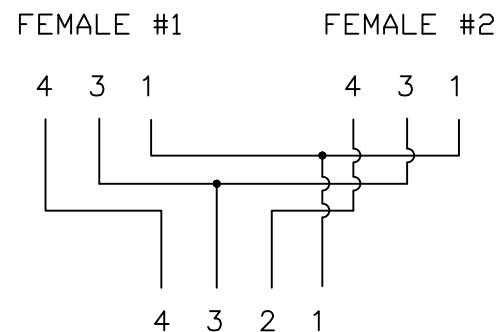
4 POLE FEMALES FRONT VIEW



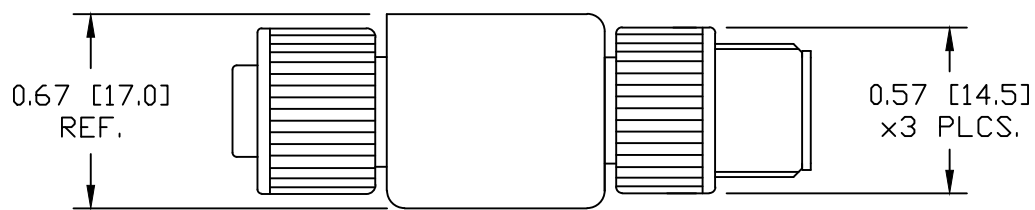
TOP VIEW



4 POLE MALE FRONT VIEW



WIRE DIAGRAM



SIDE VIEW

| MATERIAL NUMBER | ENGINEERING NUMBER | OVERMOLD MATERIAL | OVERMOLD COLOR |
|-----------------|--------------------|-------------------|----------------|
| 1200680169 | 81590R | TPE | GREY |
| 1200680170 | 81594R | TPE | YELLOW |
| 1200680229 | 81590 | PVC | GRAY |

| ITEM | COMPONENT | MATERIAL | FINISH |
|------|-----------|--------------|----------------------------|
| 5 | O-RING | VITON | RED |
| 4 | COUPLER | ZINC | BLACK ELECTROPHORETIC COAT |
| 3 | CONTACT | COPPER ALLOY | GOLD/NICKEL |
| 2 | INSERT | NYLON | BLACK |
| 1 | OVERMOLD | SEE TABLE | SEE TABLE |

ADD PN 81590 TO PN TABLE
 EC NO: IPG2013-0903
 DRWN: TWOLDEGE 12/27/12
 CHKD: VOU
 APPR: JFMURPHY

QUALITY SYMBOLS
 ▽=0
 C=0

GENERAL TOLERANCES (UNLESS SPECIFIED)

| | mm | INCH |
|----------|-------|-------|
| 4 PLACES | ±--- | ±--- |
| 3 PLACES | ±--- | ±.005 |
| 2 PLACES | ±0.13 | ±.010 |
| 1 PLACE | ±0.25 | ±.020 |

ANGULAR ±.5°
 DRAFT WHERE APPLICABLE MUST REMAIN WITHIN DIMENSIONS

DIMENSION STYLE INCH
 DRAWN BY: VOU DATE: 2012/04/24
 CHECKED BY: DATE: ---
 APPROVED BY: DATE: ---
 MATERIAL NO.:

SCALE 3:2 DESIGN UNITS INCH
 THIRD ANGLE PROJECTION
 TITLE MIC 4P MOLDED SPLITTER
 MOLEX INCORPORATED
 DOCUMENT NO. SD-120068-034 SHEET NO. 1 OF 1
 THIS DRAWING CONTAINS INFORMATION THAT IS PROPRIETARY TO MOLEX INCORPORATED AND SHOULD NOT BE USED WITHOUT WRITTEN PERMISSION

10

9

8

7

6

5

4

3

2

1