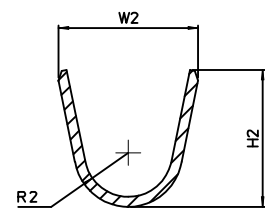
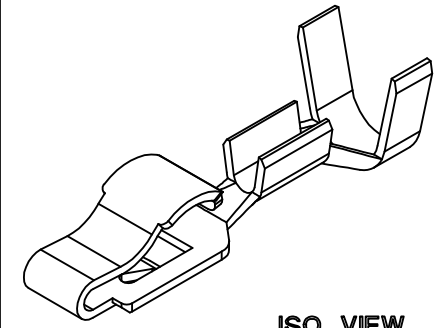


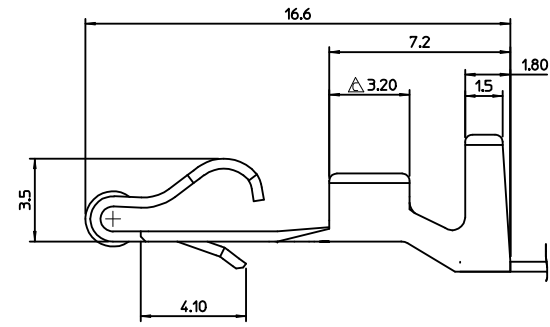
SECTION B-B'



SECTION A-A'



ISO VIEW

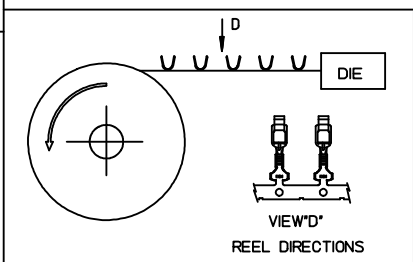


NOTES

1. MATERIAL : BRASS(C2600), 0.4mm THICKNESS
2. FINISH : 0.8 -1.8  $\mu$  TIN PLATING OVERALL  
0.3-0.8 $\mu$ m COPPER PLATING
3. APPLICABLE SOCKET  
P21/7W : 49454,104035,104036,104037,104038,104039  
WY21W, W21W : 104133, 104134
4. APPLICABLE WIRE SEAL : 49454-9002
5. APPLICABLE BULB : P27/7W, W21W, WY21W

$\triangle$  <TABLE1>

NO.	MATERIAL NO.	ORDER NO.	TYPE	DIMENSIONS			WIRE RANGE
				w2	H2	R2	
1	498699702	49869-9702	SEALED	5.55	5.35	1.75	AVS 0.5~0.85SQ. FLRY-A 0.75SQ
2	498699102	49869-9102	UNSEALED	4.2	4.1	1.2	AVS(AVSS) 0.5~0.85SQ. FLRY-A 0.75SQ



VIEW'D\*  
REEL DIRECTIONS

CHANGED DIMENSION  
 EC NO: KTR2015-0118  
 DRWN:JKSE001  
 CHKD:  
 APPR:JYCH01  
 2015/06/16  
 2015/06/22

QUALITY SYMBOLS  
 $\blacktriangledown = 0$   
 $\triangleleft = 0$

GENERAL TOLERANCES (UNLESS SPECIFIED)

	mm	INCH
4 PLACES	$\pm$ ---	$\pm$ ---
3 PLACES	$\pm$ 0	$\pm$ ---
2 PLACES	$\pm$ 0.20	$\pm$ ---
1 PLACE	$\pm$ 0.25	$\pm$ ---

ANGULAR  $\pm 1^\circ$

DRAFT WHERE APPLICABLE  
 MUST REMAIN  
 WITHIN DIMENSIONS

DIMENSION STYLE  
 MM ONLY

SCALE  
 5:1

DESIGN UNITS  
 METRIC

THIRD ANGLE PROJECTION

DRAWN BY  
 SMK1M

CHECKED BY  
 BCY00N

APPROVED BY  
 EHJUNG

DATE  
 2009/03/16

MATERIAL NO.  
 SEE TABLE1

TITLE  
 SINGLE CONTACT TERMINAL  
 FOR S8 & T20 SOCKET

MOLEX INCORPORATED

DOCUMENT NO.  
 SD-49869-001

SHEET NO.  
 1 OF 1

THIS DRAWING CONTAINS INFORMATION THAT IS PROPRIETARY TO MOLEX INCORPORATED AND SHOULD NOT BE USED WITHOUT WRITTEN PERMISSION