

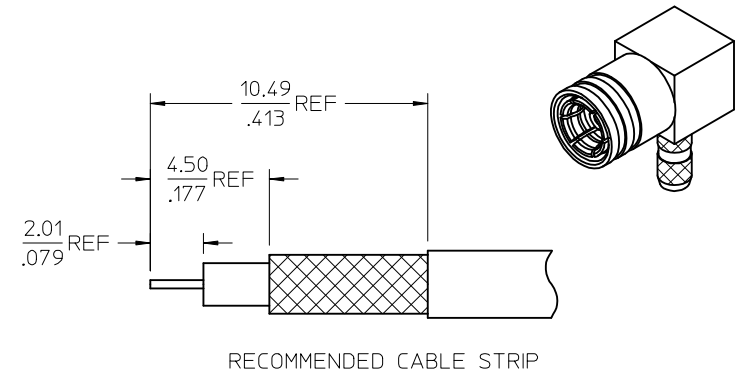
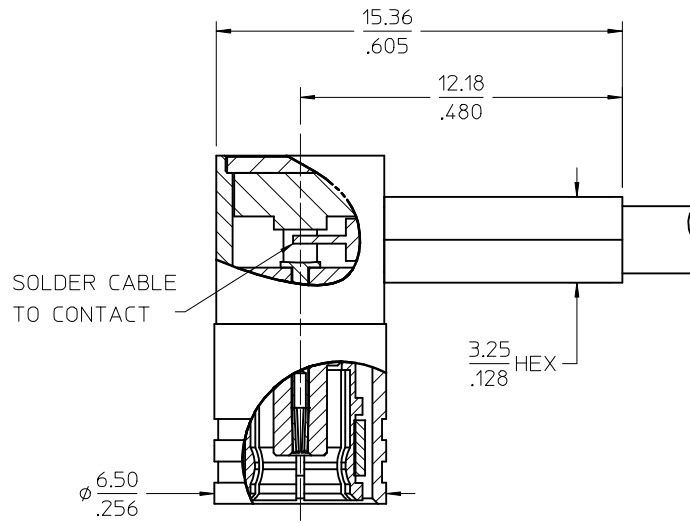
MATERIALS AND FINISHES

BODY, FERRULE, CAP: BRASS  
PLATED GOLD

CENTER CONTACT: BERYLLIUM COPPER  
PLATED GOLD

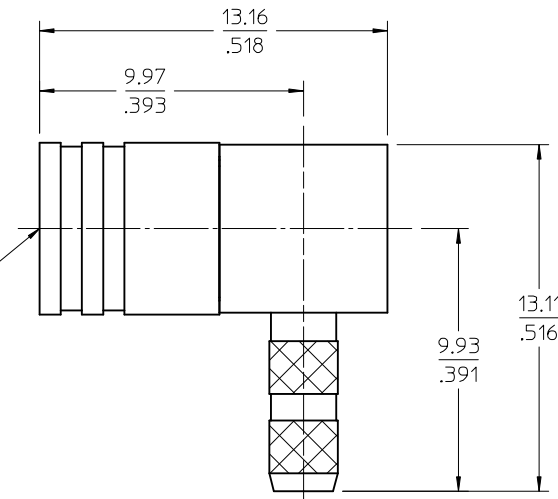
INSULATOR: TEFLON

RETAINING RING: BERYLLIUM COPPER

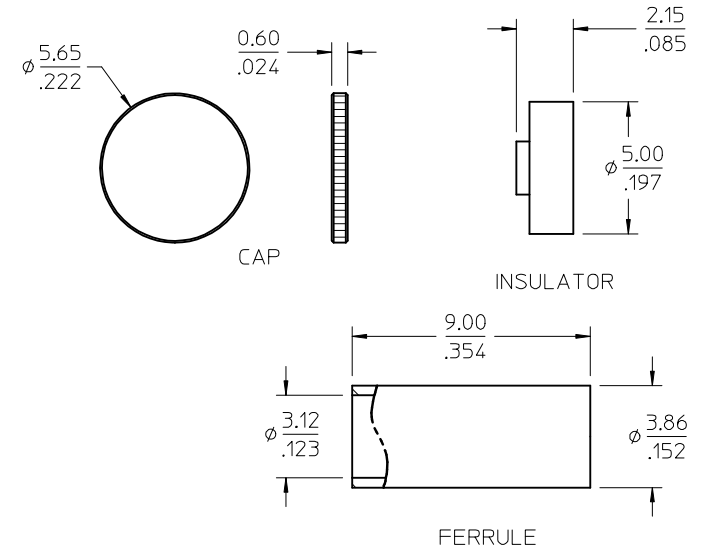


LABEL FORMAT FOR  
73404-3000

PART NUMBER: 73100-0256  
ORDER NUMBER: 73404-3000  
MOLEX  
DATE: YYWW



SMB PLUG  
75 OHM  
ACCEPTS PIN  
Ø0.38 (.015)±0.025 (.001)



73404-3000	1 PIECE 73100-0256 IN SINGLE BAG WITH LABEL
73100-0256	TRAY
PART NO.	PACKAGING

PS-89675-3540	ELECTRO/MECH. PERFORM.
SPECIFICATION	DESCRIPTION

CHG: 73100-0256 PACKING UPDATE TO TRAY FROM STANDARD EWR RF15-E384	EC NO: URF2016-0367	2015/11/05
	DRWN: YCHENG	2015/11/05
CHKD:	APPR: YCHENG	2015/11/09
B5		

QUALITY SYMBOLS	
-----------------	--

GENERAL TOLERANCES (UNLESS SPECIFIED)	
	mm INCH
4 PLACES	± .005 ± .0002
3 PLACES	± .005 ± .0002
2 PLACES	± .005 ± .0002
1 PLACE	± .005 ± .0002
ANGULAR ± 2°	
DRAFT WHERE APPLICABLE MUST REMAIN WITHIN DIMENSIONS	

DIMENSION STYLE		SCALE	DESIGN UNITS	THIRD ANGLE PROJECTION
MM/IN			METRIC	
DRAWN BY	DATE	TITLE		
SEAN	1995/08/29	SMB PLUG RA 75 OHM RG179 MATES TO .015 PIN SMB-PC/RA		
CHECKED BY	DATE			
MISEN	1995/08/29			
APPROVED BY	DATE			
JWIENER	2010/12/13			
MATERIAL NO.	DOCUMENT NO.			
SEE TABLE	SD-73100-0256			
SIZE	THIS DRAWING CONTAINS INFORMATION THAT IS PROPRIETARY TO MOLEX INCORPORATED AND SHOULD NOT BE USED WITHOUT WRITTEN PERMISSION			SHEET NO. 1 OF 1

MOLEX INCORPORATED	
SD-73100-0256	
SHEET NO. 1 OF 1	

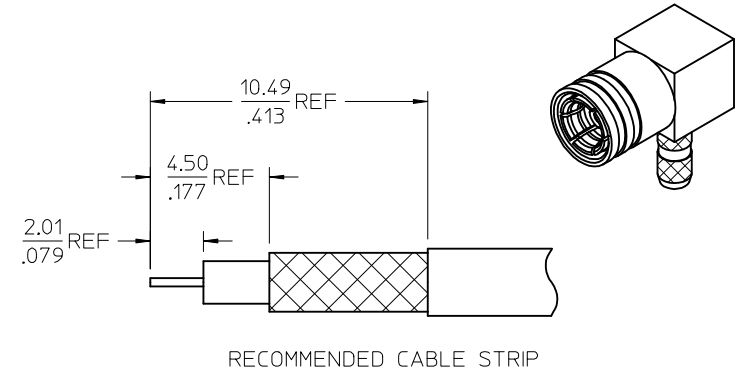
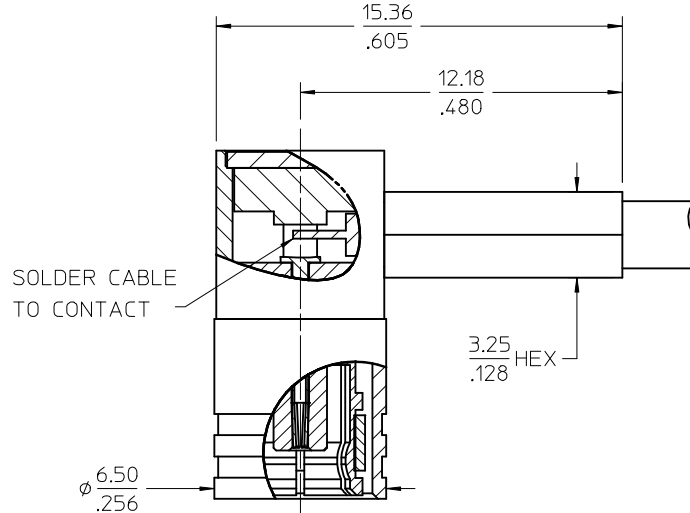
MATERIALS AND FINISHES

BODY, FERRULE, CAP: BRASS  
PLATED GOLD

CENTER CONTACT: BERYLLIUM COPPER  
PLATED GOLD

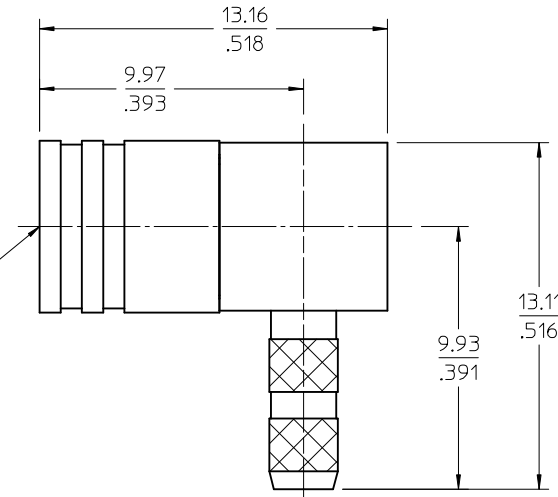
INSULATOR: TEFLON

RETAINING RING: BERYLLIUM COPPER

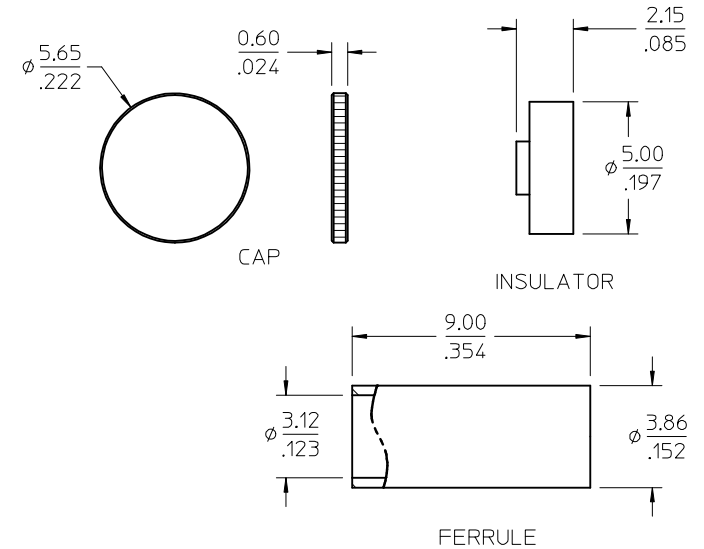


LABEL FORMAT FOR  
73404-3000

PART NUMBER: 73100-0256  
ORDER NUMBER: 73404-3000  
MOLEX  
DATE: YYWW



SMB PLUG  
75 OHM  
ACCEPTS PIN  
 $\phi$ 0.38 (.015) $\pm$ 0.025 (.001)



73404-3000	1 PIECE 73100-0256 IN SINGLE BAG WITH LABEL
73100-0256	TRAY
PART NO.	PACKAGING

PS-89675-3540	ELECTRO/MECH. PERFORM.
SPECIFICATION	DESCRIPTION

CHG: 73100-0256 PACKING UPDATE TO TRAY FROM STANDARD EWR RF15-E384	EC NO: URF2016-0367 2015/11/05 DRWN: YCHENG CHKD: APPR: YCHENG 2015/11/09
--	--

QUALITY SYMBOLS	
REV	A2

GENERAL TOLERANCES (UNLESS SPECIFIED)	<table border="1"> <tr> <th></th> <th>mm</th> <th>INCH</th> </tr> <tr> <td>4 PLACES</td> <td><math>\pm</math> .005</td> <td><math>\pm</math> .0002</td> </tr> <tr> <td>3 PLACES</td> <td><math>\pm</math> .002</td> <td><math>\pm</math> .0001</td> </tr> <tr> <td>2 PLACES</td> <td><math>\pm</math> .001</td> <td><math>\pm</math> .00005</td> </tr> <tr> <td>1 PLACE</td> <td><math>\pm</math> .0005</td> <td><math>\pm</math> .00002</td> </tr> </table>		mm	INCH	4 PLACES	$\pm$ .005	$\pm$ .0002	3 PLACES	$\pm$ .002	$\pm$ .0001	2 PLACES	$\pm$ .001	$\pm$ .00005	1 PLACE	$\pm$ .0005	$\pm$ .00002
	mm	INCH														
4 PLACES	$\pm$ .005	$\pm$ .0002														
3 PLACES	$\pm$ .002	$\pm$ .0001														
2 PLACES	$\pm$ .001	$\pm$ .00005														
1 PLACE	$\pm$ .0005	$\pm$ .00002														
ANGULAR	$\pm$ 2°															
DRAFT WHERE APPLICABLE	MUST REMAIN WITHIN DIMENSIONS															

DIMENSION STYLE	MM/IN
SCALE	DESIGN UNITS METRIC
THIRD ANGLE PROJECTION	
TITLE	SMB PLUG RA 75 OHM RG179 MATS TO .015 PIN SMB-PC/RA, EWR-4676
APPROVED BY	JWIENER 2011/04/04
MATERIAL NO.	SEE TABLE
DOCUMENT NO.	SD-73404-300
SHEET NO.	1 OF 1
THIS DRAWING CONTAINS INFORMATION THAT IS PROPRIETARY TO MOLEX INCORPORATED AND SHOULD NOT BE USED WITHOUT WRITTEN PERMISSION	