

PLEASE CHECK WWW.MOLEX.COM FOR LATEST PART INFORMATION

Part Number: [38706-8004](#)
Status: **Active**
Overview: Beau™ Barrier Strips
Description: 8.26mm Pitch Beau™ PCB Terminal Strip, without Mounting Ends, Dual Level Terminal Block, 4 Circuits

Documents:

[Drawing \(PDF\)](#) [RoHS Certificate of Compliance \(PDF\)](#)

General

Product Family	Terminal Blocks
Series	38706
Application	N/A
Component Type	One Piece
Overview	Beau™ Barrier Strips
Product Name	Fixed Mount Barrier
Type	Barrier Strip
UPC	883906405373

Physical

Circuits (Loaded)	4
Circuits (maximum)	4
Color - Resin	Black
Entry Angle	N/A
Lock to Mating Part	None
Material - Metal	Brass
Material - Plating Mating	Tin
Material - Plating Termination	Tin
Material - Resin	Polysulfone
Number of Rows	2
Orientation	Vertical
PC Tail Length	3.56mm
PCB Retention	None
PCB Thickness - Recommended	1.57mm
Panel Mount	No
Pitch - Mating Interface	8.26mm
Pitch - Termination Interface	8.26mm
Polarized to Mating Part	N/A
Shrouded	Dual-Barrier
Stackable	No
Surface Mount Compatible (SMC)	No
Temperature Range - Operating	160°C
Termination Interface: Style	Through Hole
Wire Size AWG	12, 14, 16, 18, 20, 22

Electrical

Current - Maximum per Contact	20A
Voltage - Maximum	300V

Material Info

Old Part Number	70D04-RC
-----------------	----------

Reference - Drawing Numbers

Sales Drawing	SD-38706-001
---------------	--------------

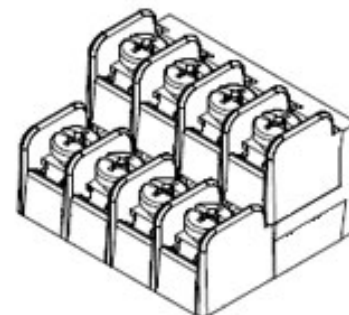


image - Reference only

Series

EU RoHS

**ELV and RoHS
Compliant**
**REACH SVHC
Not Reviewed**
**Low-Halogen Status
Not Reviewed**

China RoHS



**Need more information on product
environmental compliance?**

Email productcompliance@molex.com
For a multiple part number RoHS Certificate of Compliance, [click here](#)

Please visit the [Contact Us](#) section for any non-product compliance questions.

Search Parts in this Series

[38706Series](#)

This document was generated on 11/02/2012

PLEASE CHECK WWW.MOLEX.COM FOR LATEST PART INFORMATION