

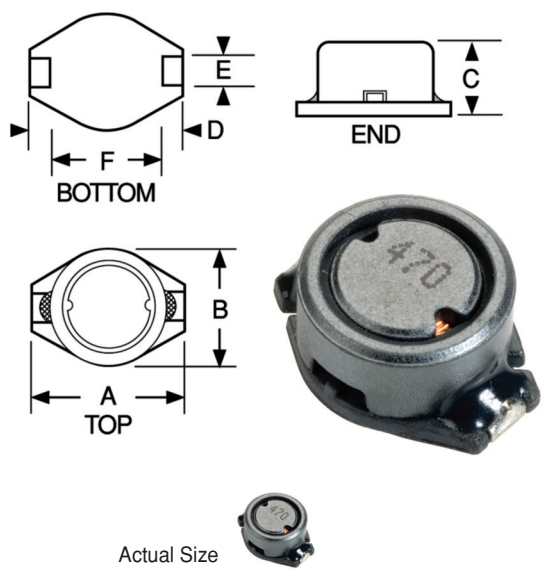
SERIES

SDS850R



Surface Mount Shielded Power Choke

DASH NUMBER*
 INDUCTANCE (μH)
 TOLERANCE
 TEST FREQUENCY (kHz)
 DC RESISTANCE MAXIMUM (OHMS)
 CURRENT RATING MAXIMUM (mA)



SERIES SDS850 FERRITE CORE & SLEEVE					
-222N	2.2	±30%	100	0.040	2500
-392N	3.9	±30%	100	0.055	2100
-562N	5.6	±30%	100	0.065	1950
-822N	8.2	±30%	100	0.080	1750
-103M	10	±20%	1	0.100	1500
-123M	12	±20%	1	0.120	1400
-153M	15	±20%	1	0.140	1300
-183M	18	±20%	1	0.160	1200
-223M	22	±20%	1	0.180	1100
-273M	27	±20%	1	0.200	1000
-333M	33	±20%	1	0.240	920
-393M	39	±20%	1	0.260	840
-473M	47	±20%	1	0.280	750
-563M	56	±20%	1	0.380	680
-683M	68	±20%	1	0.440	600
-823M	82	±20%	1	0.550	540
-104M	100	±20%	1	0.600	500
-124M	120	±20%	1	0.750	450
-154M	150	±20%	1	0.900	400
-184M	180	±20%	1	1.050	350
-224M	220	±20%	1	1.180	300
-274M	270	±20%	1	1.40	270
-334M	330	±20%	1	1.80	240
-394M	390	±20%	1	2.10	220
-474M	470	±20%	1	2.25	200
-564M	560	±20%	1	3.00	180
-684M	680	±20%	1	3.40	170
-824M	820	±20%	1	4.00	160
-105M	1000	±20%	1	5.00	150

Physical Parameters

	Inches	Millimeters
A	0.413 ±0.008	10.5 ±0.2
B	0.315 ±0.008	8.0 ±0.2
C	0.190 Max.	4.8 Max.
D	0.083 ±0.008	2.1 ±0.2
E	0.079 ±0.008	2.0 ±0.2
F	0.236 ±0.012	6.0 ±0.3
G	0.224 Ref.	5.7 Ref.
H	0.094 Ref.	2.4 Ref.
I	0.087 Ref.	2.2 Ref.

Current rating at 25°C Ambient
 40°C Max. Rise

Operating Temperature Range
 -40°C to +85°C

Weight Maximum
 0.95 grams

Marking For values lower than 10 μH the R indicates a decimal point and the remaining digits indicate the inductance in μH. For values 10 μH and above, the first two digits indicate the inductance in μH and the third digit indicates the number of trailing zeros where a zero indicates that there are no trailing zeros.

Example: SDS850R-392N (3.9 μH)
 3R9

Example: SDS850R-105M (1,000 μH)
 102

Packaging

Tape & Reel (16mm): 13" reel
 1000 pieces max.

*Complete part # must include series # PLUS the dash #
 For surface finish information, refer to www.delevanfinishes.com

