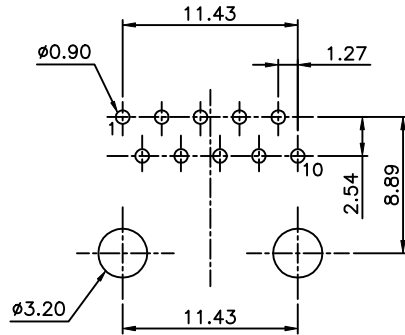
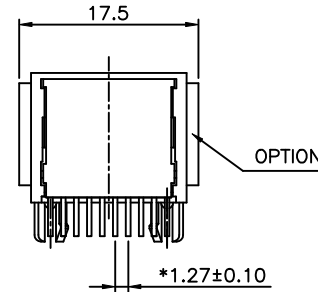
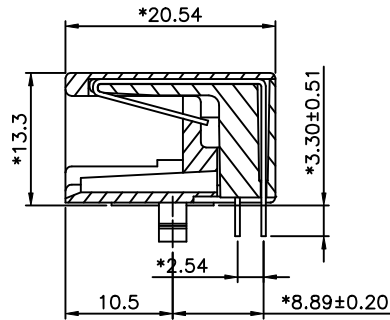
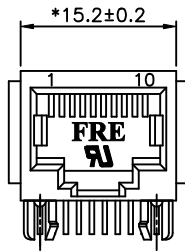
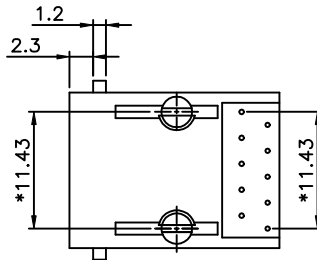


REVISION RECORD				
REV	ECO	DESCRIPTION	DRFT	CHKD
△		ADD PART NO	07/09/06	



PC Board Layout  
Component Side Shown



**NOTES:**

**ELECTRICAL:**

1. VOLTAGE RATING: 125 VAC RMS.
2. CURRENT RATING: 1.5 AMP.
3. CONTACT RESISTANCE: 45 MILLIOHMS MAX.
4. INSULATION RESISTANCE: 1000 MEGOHMS MIN @ 500 VDC.
5. DIELECTRIC STRENGTH: 1000 VAC RMS 60Hz, 1MIN.

**MECHANICAL:**

1. HOUSING MATERIAL: FR52 UL94V-0.
2. STANDARD COLOR : GREY
3. CONTACT MATERIAL: PHOSPHOR BRONZE  $\phi$ 0.46mm.
4. PLATING: GOLD PLATING OVER NICKEL.
5. OPERATING LIFE: 750 CYCLES MIN.
6. PCB RETENTION PRE-SOLDER: 1 LB MIN.
7. PCB RETENTION POST-SOLDER: 10 LBS MIN.

**ENVIRONMENTAL:**

1. STORAGE: -40°C TO +85°C.
2. OPERATION: 0°C TO 70°C.
3. WAVE SOLDERING TEMPERATURE: 250°C~265°C (5~10 SECONDS).

MATES WITH MODULAR PLUG CONFORMING TO FCC PART 68, SUBPART F.

CUL FILE NO. E163191

PART NUMBER: E590X-000XXX-L

8- 8 CONTACTS  
1-10 CONTACTS

1- 3u" 2- 6u"  
3-15u" 4-30u"  
5-50u" 6-Pd 20u"

L3-W/O OPTION&W/ FER LOGO COLOR GRAY  
△ L4-W/O OPTION&W/ FRE LOGO COLOR GREEN

OLD PART NO: 5-0139-1

DETACHED LISTS	MM (INCH)		DFTO YICAN	DATE 04/16/05	FULL RISE ELECTRONIC CO., LTD		
	TOLERANCES EXCEPT AS NOTED		CHKDQIANPU	DATE2005/5/23			
	MM		MFO	DATE	TITLE 20.57 PCB JACK 10P		
	.0 ±0.2	±	APPVLSAMMY	DATE2005/5/23			
	.00 ±0.15	±	MATERIAL :		DRAWING NO. GE593236-LA		
.000 ±0.075	±	QT'Y :		SIZE			
ANGLES ± 0.5		FINISH :		/PART NO. SEE NOTE		A3	1
THIRD ANGLE PROJECTION		SCALE : 2 : 1		DO NOT SCALE DRAWING		SHEET	OF