

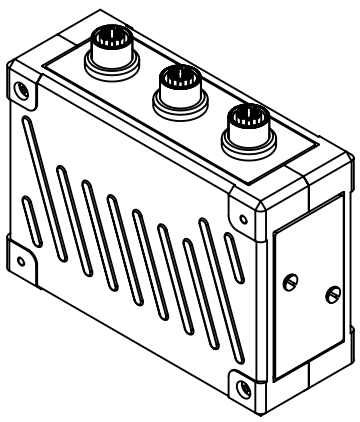
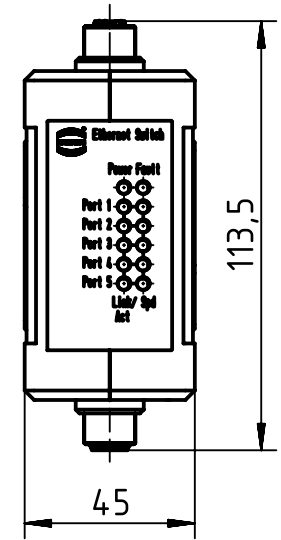
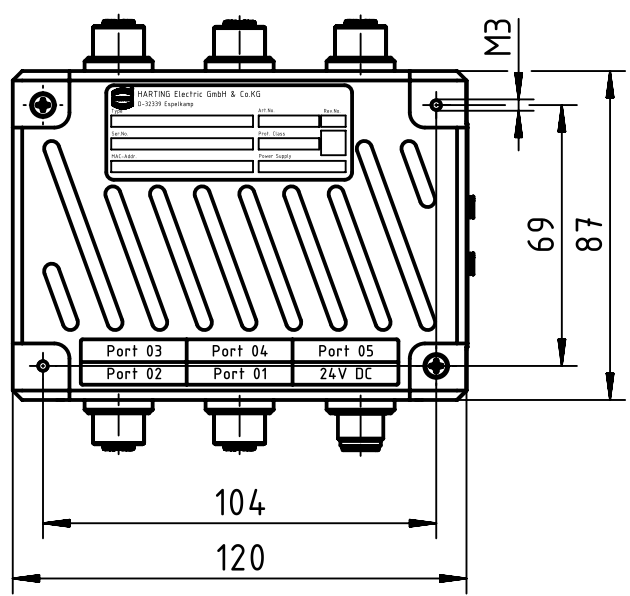
1 2 3 4 5 6

A

B

C

D



	All Dimensions in mm Original Size DIN A4		Scale 1:2	Free size tol.		Ref. Sub. TB 20 70 305 3943 v. 12.09.08	
		All rights reserved	Created by ILJIN	Inspected by LOETKEMANN	Standardisation TIEMANNA	Date 2013-07-30	State Final Release
Department EL PD - DE HARTING Electric GmbH & Co. KG D-32339 Espelkamp		Title Ha-VIS eCon 7050-B1			Doc-Key / ECM-Nr. 100142480/UGD/005/B 500000064671		
			Type TB	Number 20 70 305 3943		Rev. B	Page 1/1