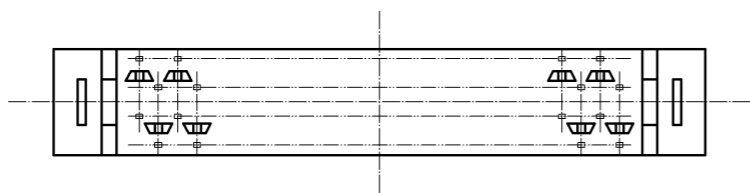
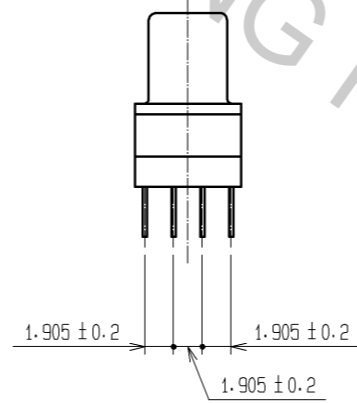
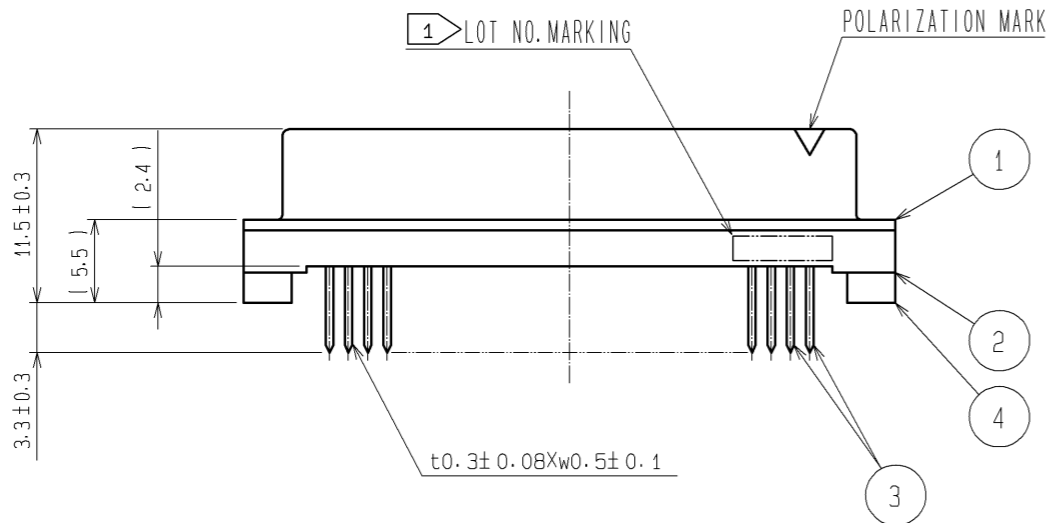
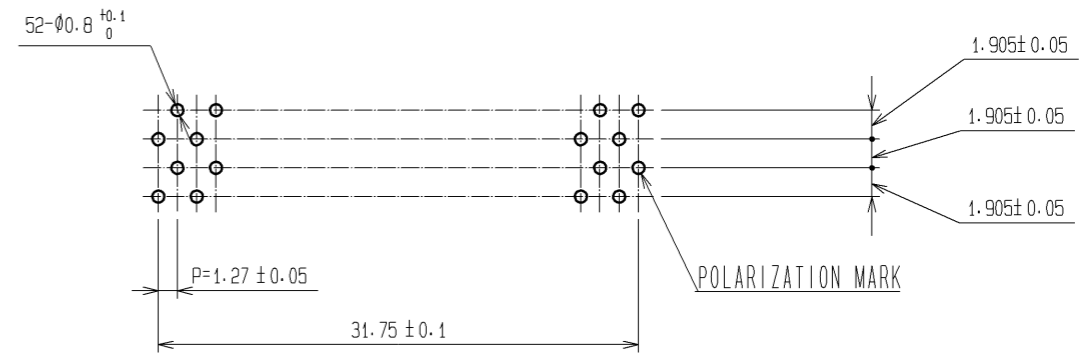


RECOMMENDED PC BOARD HOLE PATTERN  
(MOUNTING SIDE) t=1.6



NOTES 1. LOT NO. MARKING SIDE SHALL BE OPTIONAL.  
2. THE DIMENSIONS IN PARENTHESES ARE FOR REFERENCE.

1, 2, 4	POLYAMIDE	BLACK, UL94V-0	3	PHOSPHOR BRONZE	CONTACT AREA : GOLD 0.2μm min. DIP AREA : TIN-PLATING 2μm min. UNDER PLATING : NICKEL 2μm min.			
NO.	MATERIAL	FINISH, REMARKS	NO.	MATERIAL	FINISH, REMARKS			
UNITS mm		SCALE 2 : 1		COUNT	DESCRIPTION OF REVISIONS	DESIGNED	CHECKED	DATE
<b>HRS</b>	HIROSE ELECTRIC CO., LTD.	APPROVED : HS. OKAWA CHECKED : HS. OZAWA DESIGNED : KY. NAKAMURA DRAWN : TP. MATSUMOTO	07.08.10 07.08.10 07.08.10 07.08.09	DRAWING NO. PART NO. CODE NO.	EDC3-083214-21 FX2C2-52S-1.27DSA(71) CL572-2424-2-71			