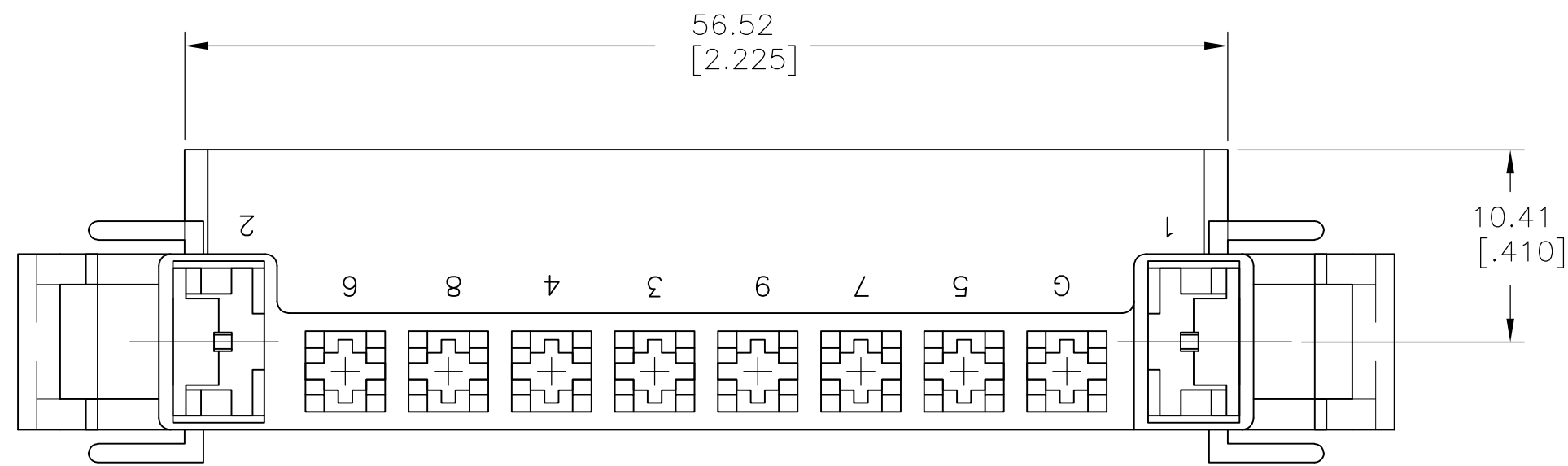
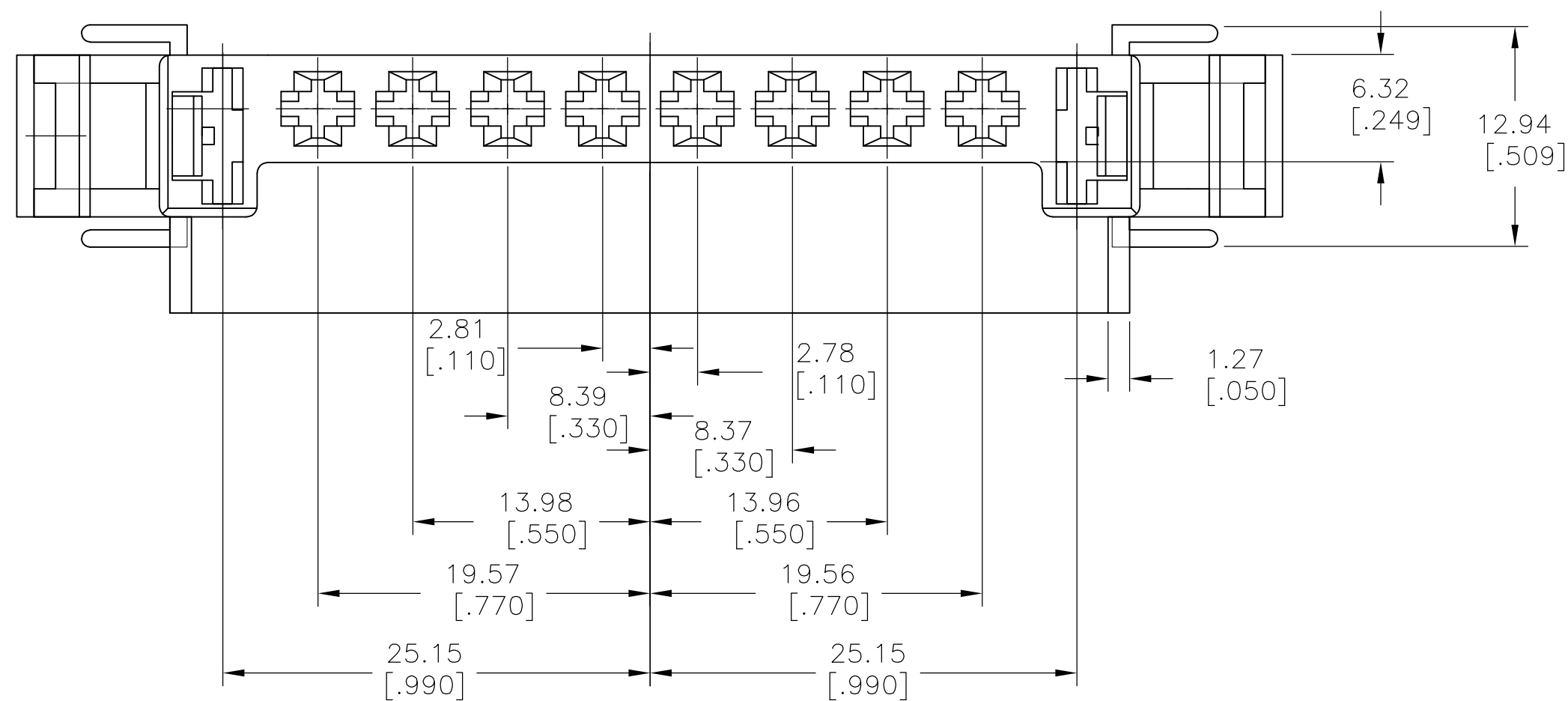
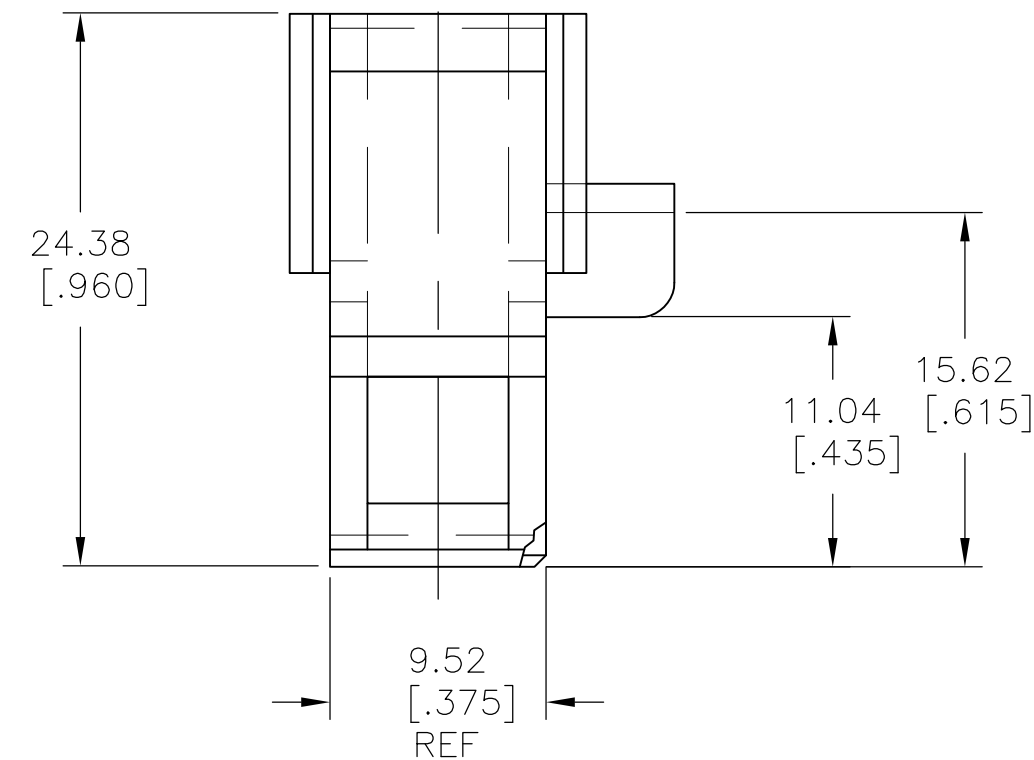
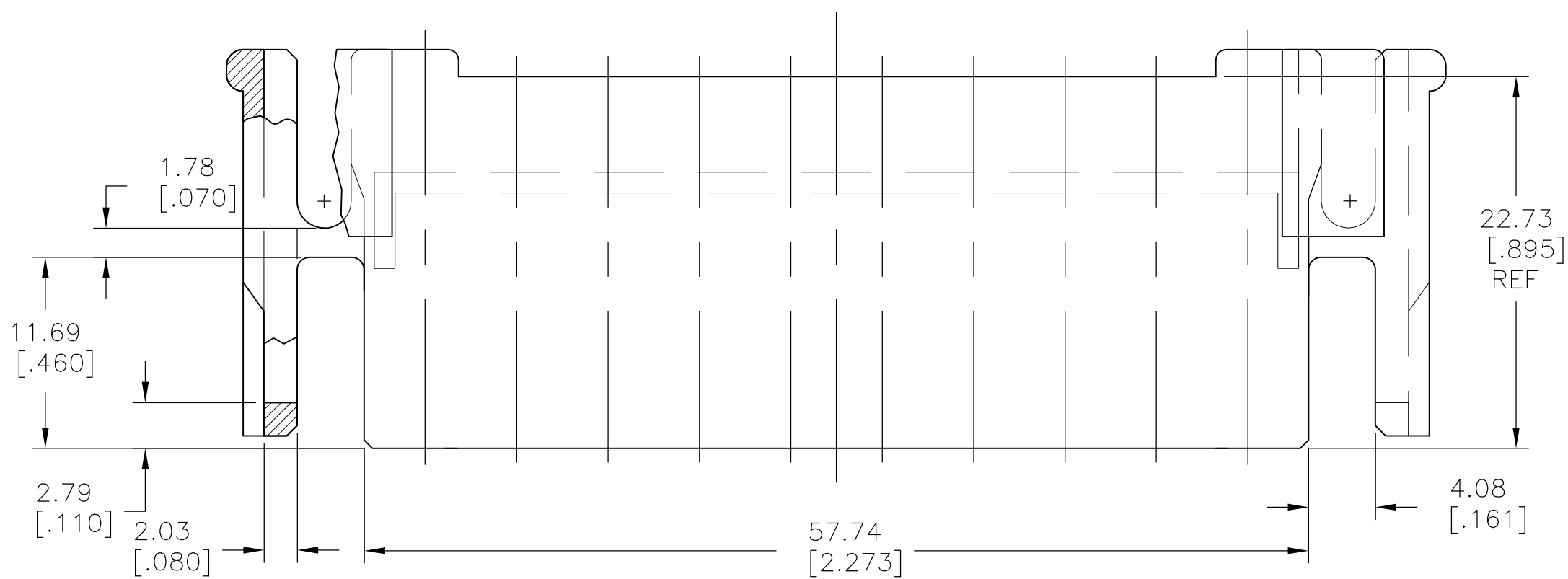


THIS DRAWING IS UNPUBLISHED. RELEASED FOR PUBLICATION
 © COPYRIGHT - By - ALL RIGHTS RESERVED.

LOC		DIST		REVISIONS			
P	LTR	DESCRIPTION		DATE	DWN	APVD	
AF	50	C		REVISED PER ECO 12-020838	28NOV12	JR	GJ



- 1 POSITIONS 3 THRU 8 AND G ACCEPT .125 BLADE RECEPTACLE P/N 1217039-1
- 2 POSITIONS 1 AND 2 ACCEPT .250 FASTON LIF RECEPTACLES P/N 603306-() OR 63537-() OR 63365-(). ALSO ACCEPTS FASTON RECEPTACLE 280001-9
- 3 GLOW WIRE COMPLIANT PER IEC 60335-1, 750°C NO FLAME.
- 4 PRELIMINARY - NOT FOR PRODUCTION



2.5 mm2 (#13.5 awg)	BLACK	3 NYLON 6	4 521986-3
2.5 mm2 (#13.5 awg)	NATURAL	3 NYLON 6	521986-2
5.0 mm2 (#10 awg)	NATURAL	NYLON 6/6	521986-1
MAX WIRE SIZE	COLOR	MATERIAL	PART NO.

DIMENSIONS:		TOLERANCES UNLESS OTHERWISE SPECIFIED:		DWN		CHK		APVD		NAME	
mm [INCHES]											
		0 PLC	± -	JR RUTH	06DEC06	TE Connectivity		MOTOR HOUSING, DRYER, 10 POSITION GEN III			
		1 PLC	± -	JOHN KNOLL	06DEC06						
		2 PLC	± 0.25[0.010]	JOHN KNOLL	06DEC06	PRODUCT SPEC		108-1271-1			
		3 PLC	± -			APPLICATION SPEC		114-49003			
		4 PLC	± -			WEIGHT		A2 00779		C=521986	
		ANGLES	± -			CUSTOMER DRAWING		SCALE 3:1		SHEET 1 OF 1	
		FINISH	± -							REV C	