

A
board drillings

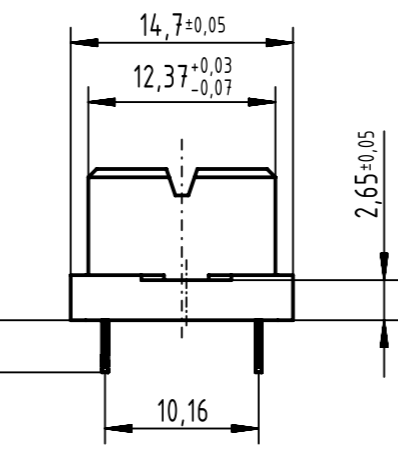
A
contact arrangement

15 press-in contacts

⊗ = position with contact

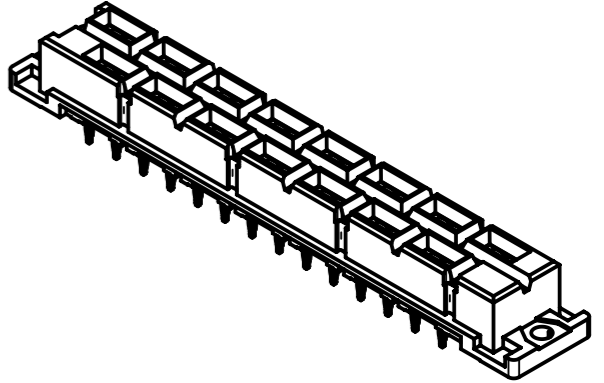
□ = position without contact

B (2:1)



NFF F1/12
contact area plating Ag

1 recommended configuration of plated through holes and further information see: DS 09062120101



	All Dimensions in mm Original Size DIN A3		Scale 1:1	Free size tol. complementary IEC 60603-2		Ref. Sub. TB 09062152854222 / 50000066924 / 2013-11-05	
	All rights reserved Department EC PD - DE		Created by LEHNERT	Inspected by TADJE	Standardisation HOFFMANN	Date 2014-12-03	State Final Release
HARTING Electronics GmbH D-32339 Espelkamp		Title DIN Power type H15 low-profile press-in 5.08 NFF				Doc-Key / ECM-Nr. 100225354/UGD/001/C 50000082520	
		Type TB	Number 09062152854222		Rev. C	Page 1/1	