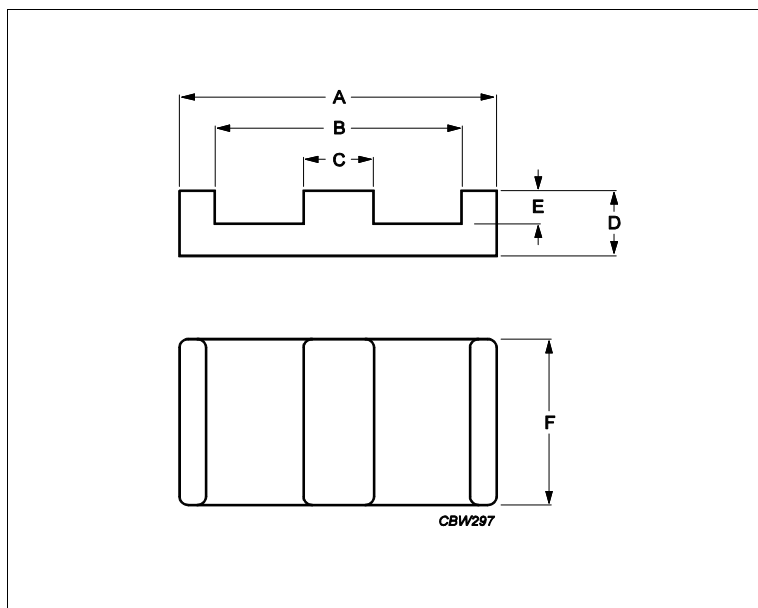
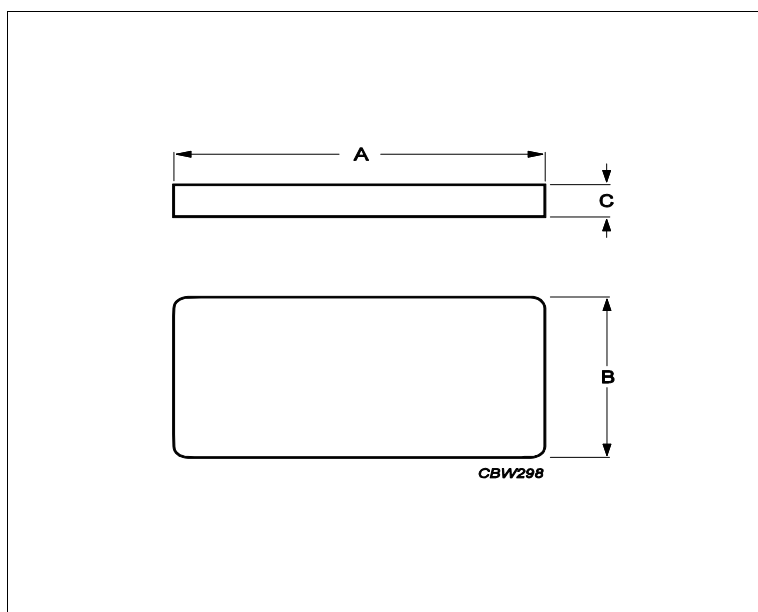


## Core **E18/4/10 + PLT18/10/2**



Effective parameters			
	Parameter	Value	Unit
$\Sigma(I/A)$	core factor (C1)	0.514	mm <sup>-1</sup>
<b>Ve</b>	effective volume	800	mm <sup>3</sup>
<b>Le</b>	effective length	20.3	mm
<b>Ae</b>	effective area	39.5	mm <sup>2</sup>
<b>Amin</b>	minimum area	39.5	mm <sup>2</sup>
<b>m</b>	E18/4/10	≈ 2.4	g/pcs
<b>m</b>	PLT18/10/2	≈ 1.7	g/pcs



Dimensions for product: E18/4/10						
	Nom	Tol +	Tol -	Max	Min	Unit
<b>A</b>	18.00	0.35	0.35	18.35	17.65	mm
<b>B</b>	14.00	0.30	0.30	14.30	13.70	mm
<b>C</b>	4.00	0.10	0.10	4.10	3.90	mm
<b>D</b>	4.00	0.10	0.10	4.10	3.90	mm
<b>E</b>	2.00	0.10	0.10	2.10	1.90	mm
<b>F</b>	10.00	0.20	0.20	10.20	9.80	mm
Dimensions for product: PLT18/10/2						
	Nom	Tol +	Tol -	Max	Min	Unit
<b>A</b>	18.00	0.35	0.35	18.35	17.65	mm
<b>B</b>	10.00	0.20	0.20	10.20	9.80	mm

## Core **E18/4/10 + PLT18/10/2**

Dimensions for product: PLT18/10/2						
	Nom	Tol +	Tol -	Max	Min	Unit
<b>C</b>	2.00	0.05	0.05	2.05	1.95	mm

Inductance factor					
Material	Value	Tol +	Tol -	Unit	
3C92	2690	25%	25%	nH/turns <sup>2</sup>	
3C95	4340	25%	25%	nH/turns <sup>2</sup>	
3C96	3250	25%	25%	nH/turns <sup>2</sup>	
3C97	4340	25%	25%	nH/turns <sup>2</sup>	
3F36	2400	25%	25%	nH/turns <sup>2</sup>	
3F46	1500	25%	25%	nH/turns <sup>2</sup>	
4F1	190	25%	25%	nH/turns <sup>2</sup>	

Power loss: 3C92				
Measuring conditions			Max	Unit
100 kHz	200 mT	100 °C	0.400	W/set

Power loss: 3C95				
Measuring conditions			Max	Unit
100 kHz	200 mT	100 °C	0.380	W/set
100 kHz	200 mT	25 °C	0.420	W/set

Power loss: 3C96				
Measuring conditions			Max	Unit
100 kHz	200 mT	100 °C	0.360	W/set
400 kHz	50 mT	100 °C	0.140	W/set

Power loss: 3C97				
Measuring conditions			Max	Unit
100 kHz	200 mT	60 °C	0.400	W/set
100 kHz	200 mT	120 °C	0.380	W/set
100 kHz	200 mT	140 °C	0.480	W/set

Power loss: 3F36				
Measuring conditions			Max	Unit
500 kHz	50 mT	100 °C	0.120	W/set
500 kHz	100 mT	100 °C	0.920	W/set

Power loss: 3F46				
Measuring conditions			Max	Unit
1000 kHz	50 mT	100 °C	0.320	W/set
3000 kHz	10 mT	100 °C	0.097	W/set

Bsat					
Measuring conditions			Material	Min	Unit
25 kHz	250 A/m	100 °C	3C92	370	mT
25 kHz	250 A/m	100 °C	3C95	330	mT

---

Core **E18/4/10 + PLT18/10/2**

---

25 kHz	250 A/m	100 °C	3C96	340	mT
25 kHz	250 A/m	100 °C	3C97	330	mT
25 kHz	250 A/m	100 °C	3F36	340	mT
25 kHz	250 A/m	100 °C	3F46	330	mT