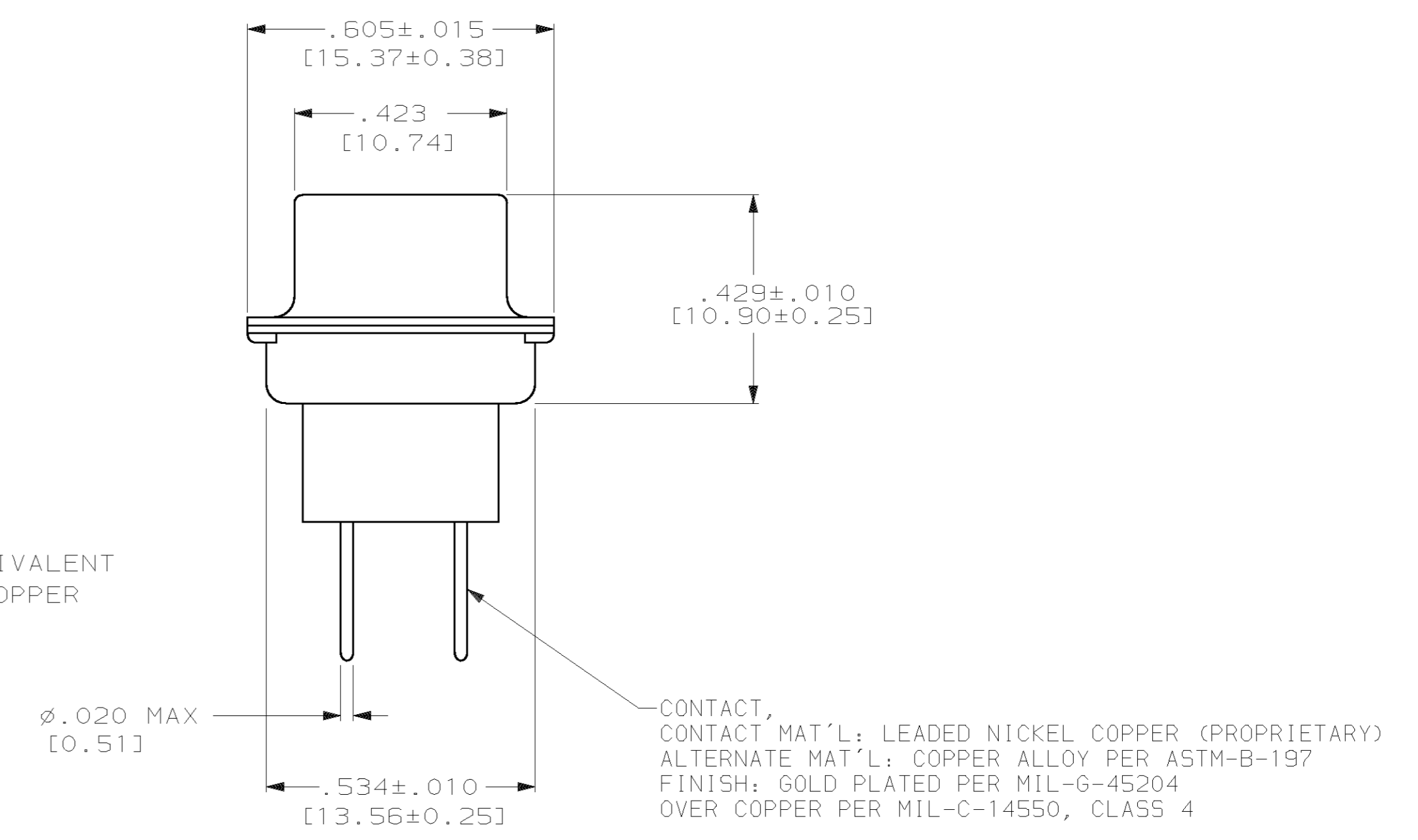
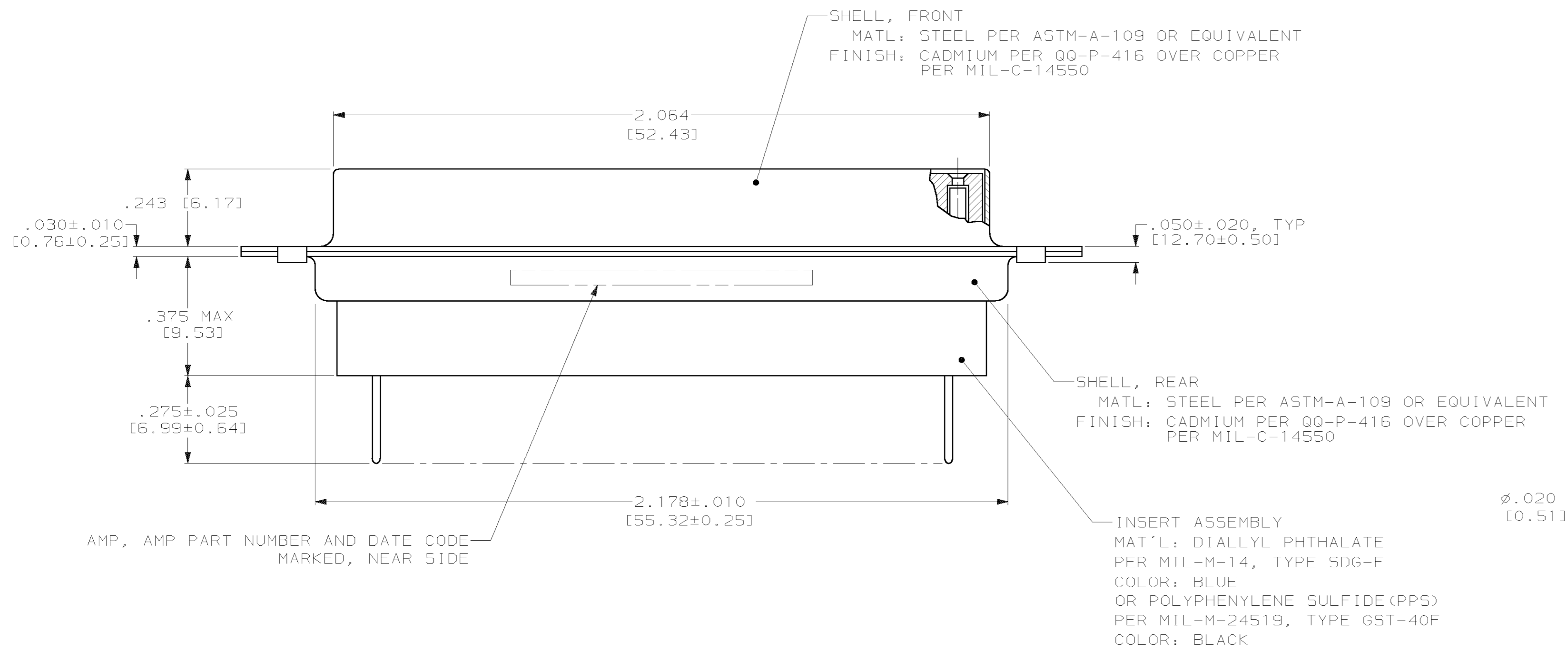
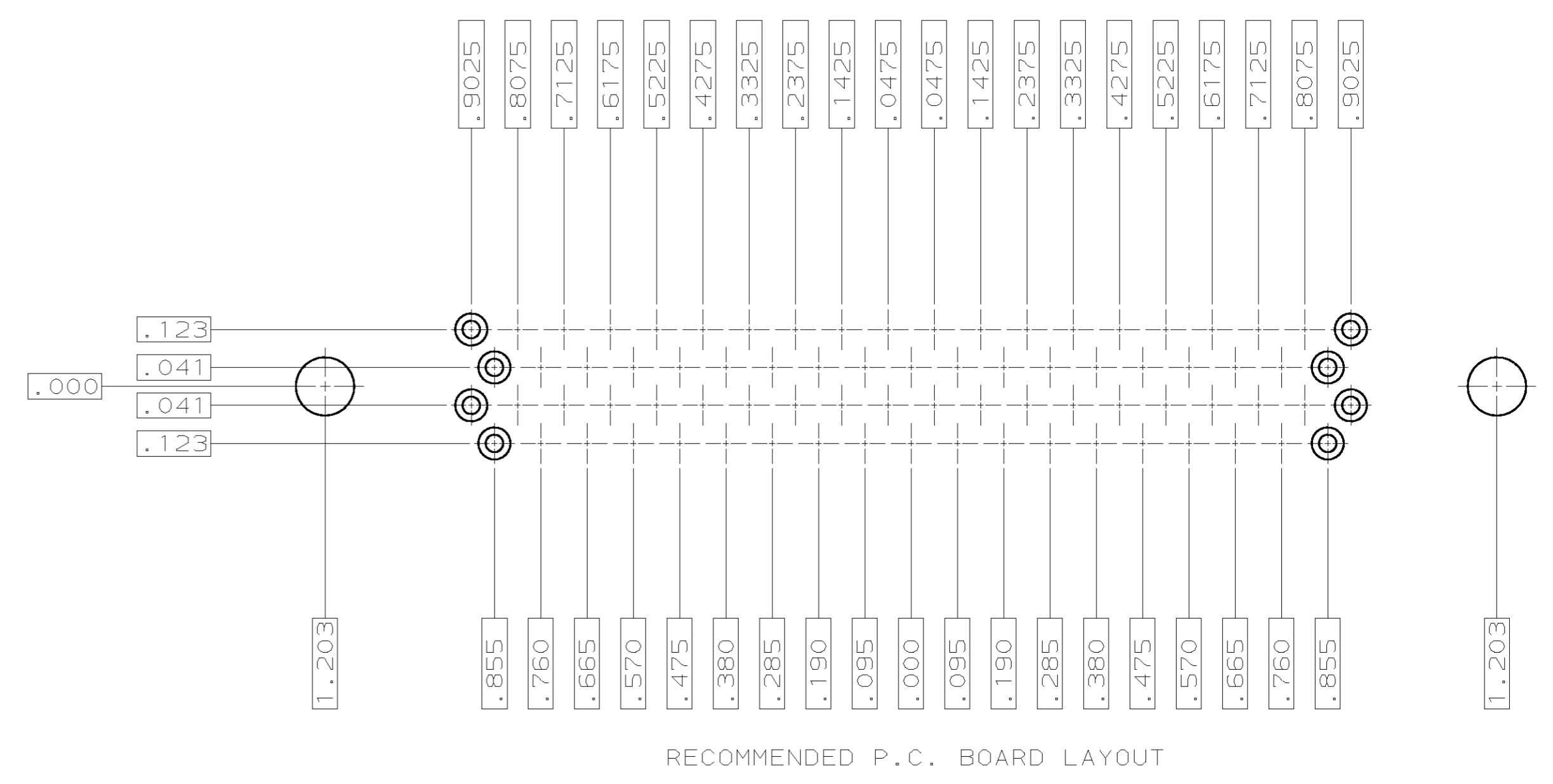
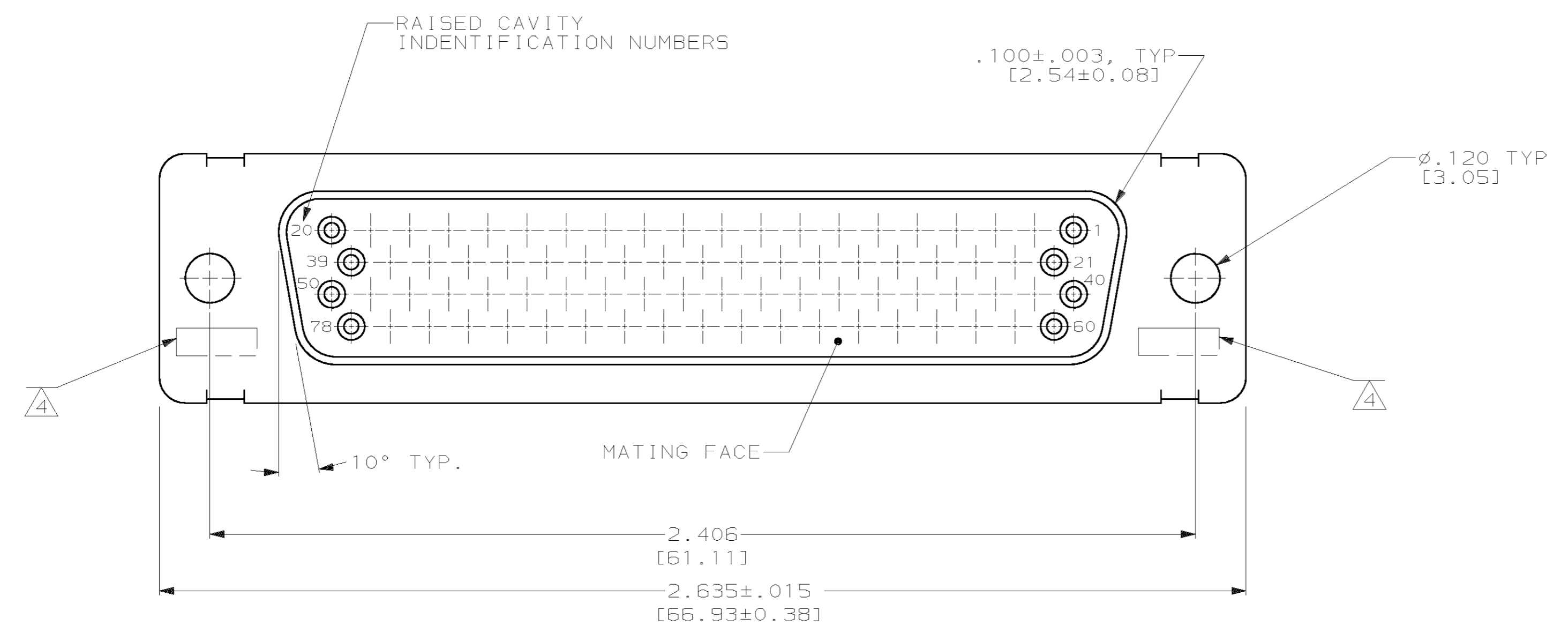


LOC		DIST		REVISIONS			
DF	DO	REV	PER	DESCRIPTION	DATE	OWN	APVD
B				REV PER 063D-640-00	B-01	CT	CB



- .032 [0.81] DIA HOLE IS RECOMMENED FOR P.C. BOARD
- CONNECTOR MATES WITH ANY AMP 78 POSN PLUG
- REPLACEMENT SOCKET AMP# 207684-1
- UL/CSA DESIGNATION MAY BE STAMPED IN THIS AREA.

443888-5
 PART NUMBER

THIS DRAWING IS A CONTROLLED DOCUMENT.		DWN T. ALEXANDER 11-12-96	AMP Incorporated Harrisburg, PA 17105-3608
DIMENSIONS: INCHES (mm)		CHK H. WYNKOOP 11-14-96	
TOLERANCES UNLESS OTHERWISE SPECIFIED:		APVD H. WYNKOOP 11-14-96	NAME H. WYNKOOP
0 PLC ±-	1 PLC ±-	PRODUCT SPEC	RECEPTACLE ASSEMBLY, POSTED, SERIES 90, SIZE 5, AMPLIMITE
2 PLC ±-	3 PLC ±-.005 [0.13]	APPLICATION SPEC	SIZE CAGE CODE DRAWING NO RESTRICTED TO
4 PLC ±-	ANGLES 40°±30°	WEIGHT	A1 00779 C-443888
MATERIAL SEE CALLOUTS	FINISH SEE CALLOUTS	CUSTOMER DRAWING	SCALE 4:1 SHEET 1 OF 1 REV B