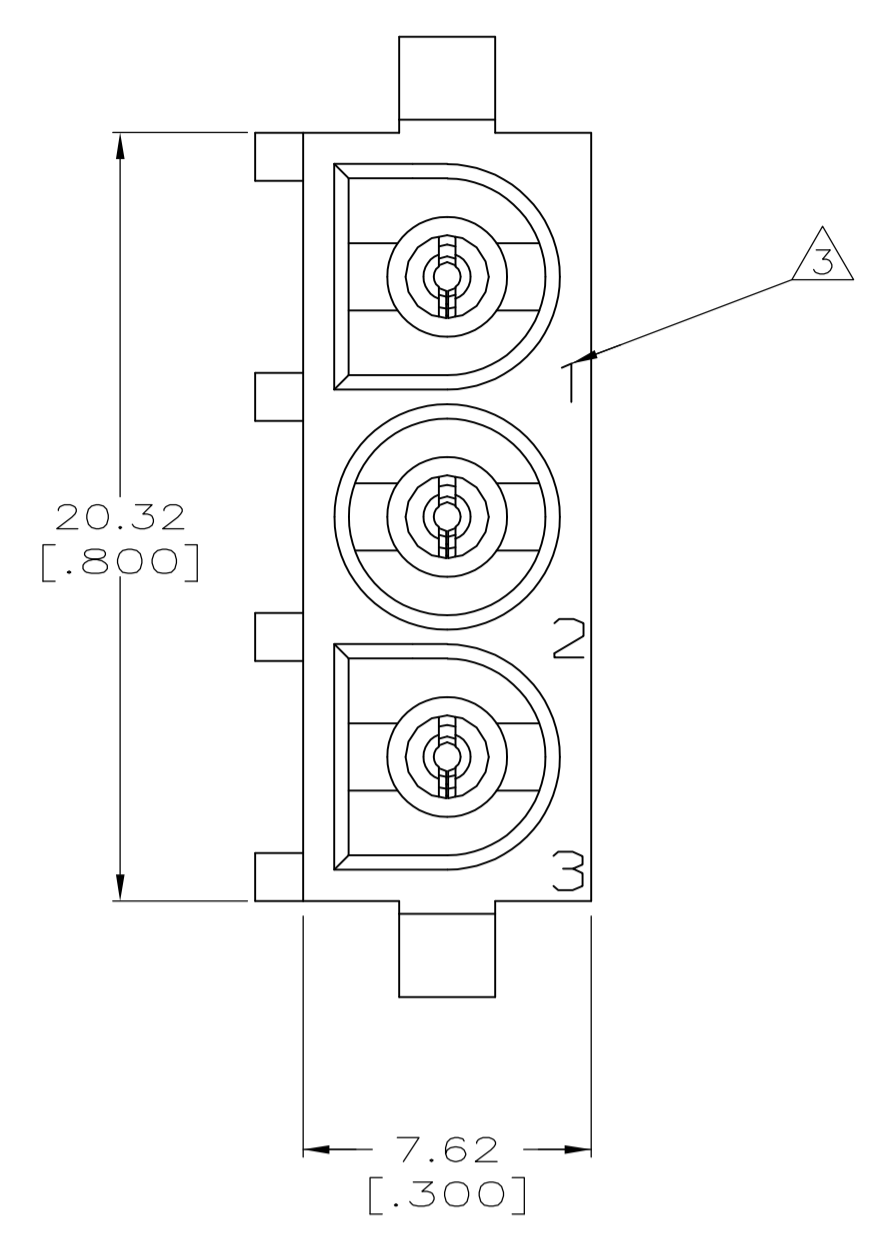
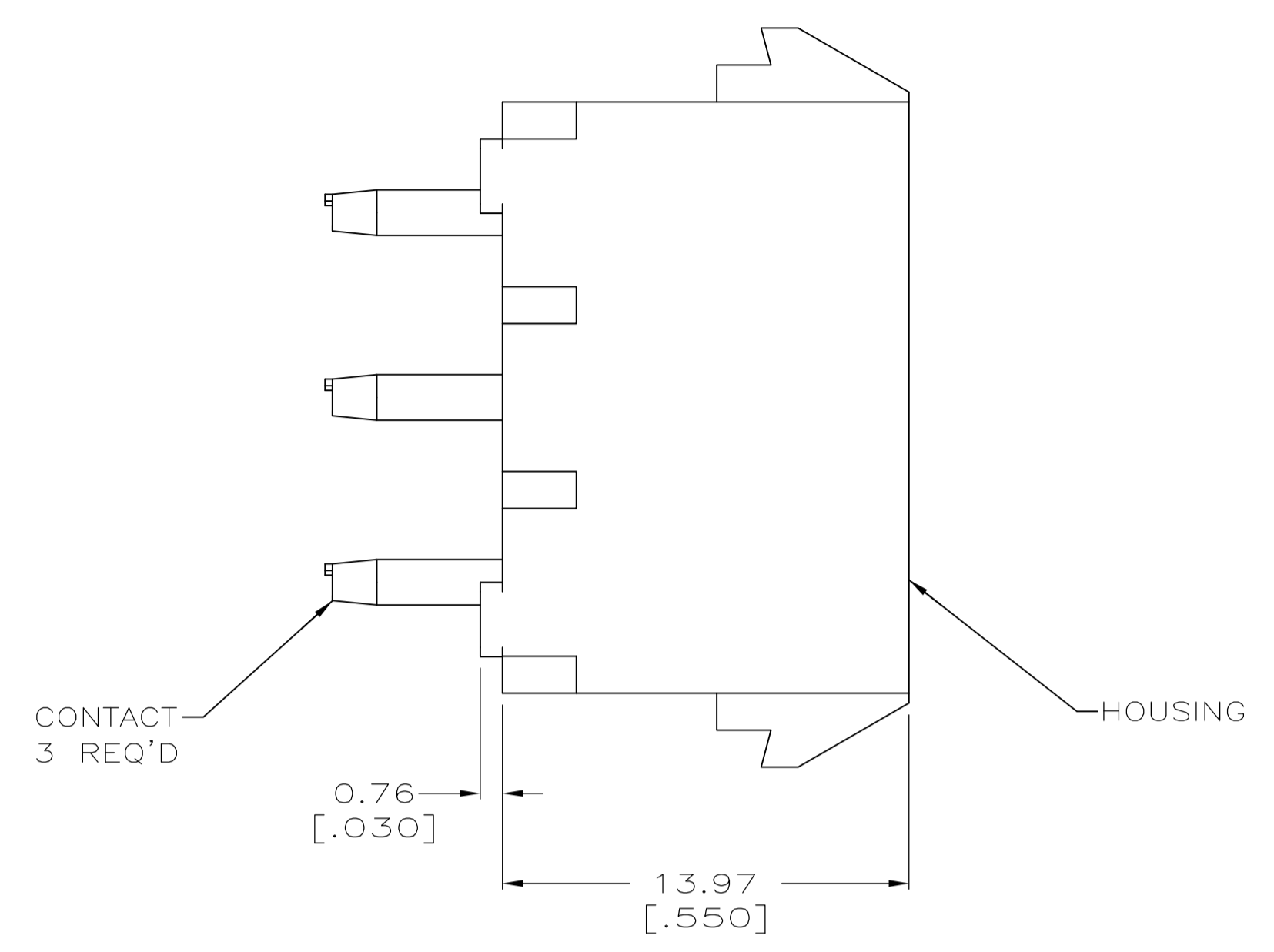
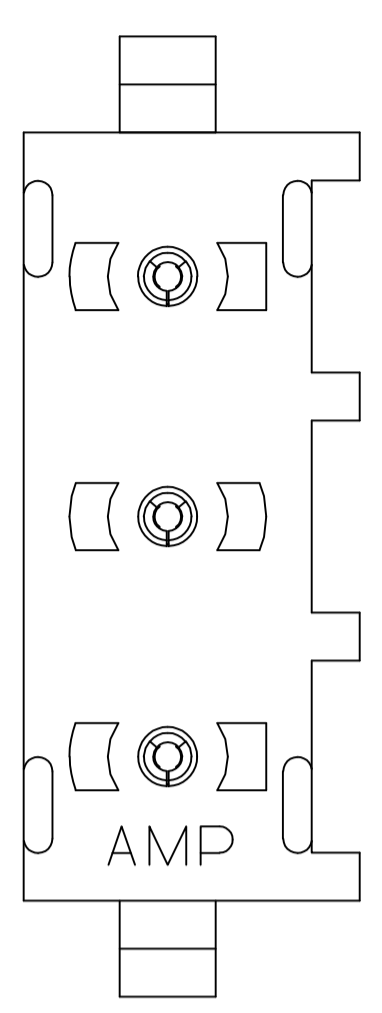
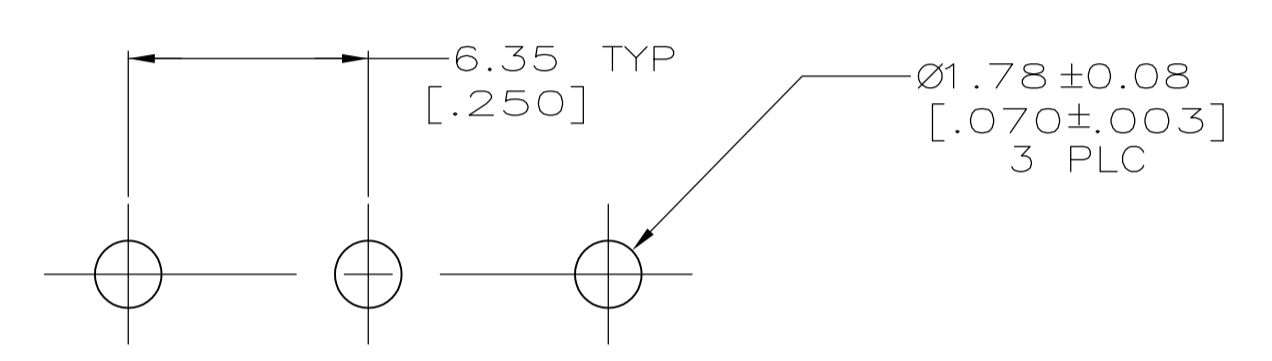


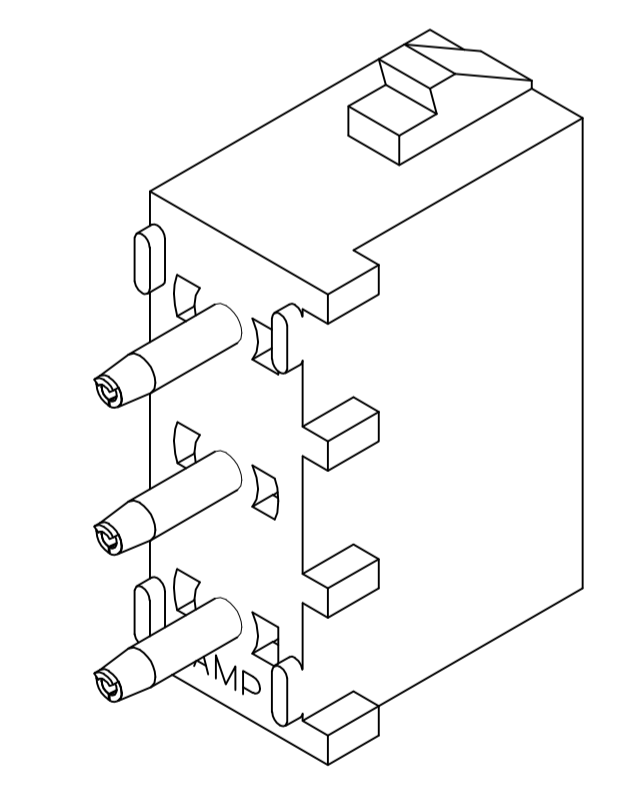
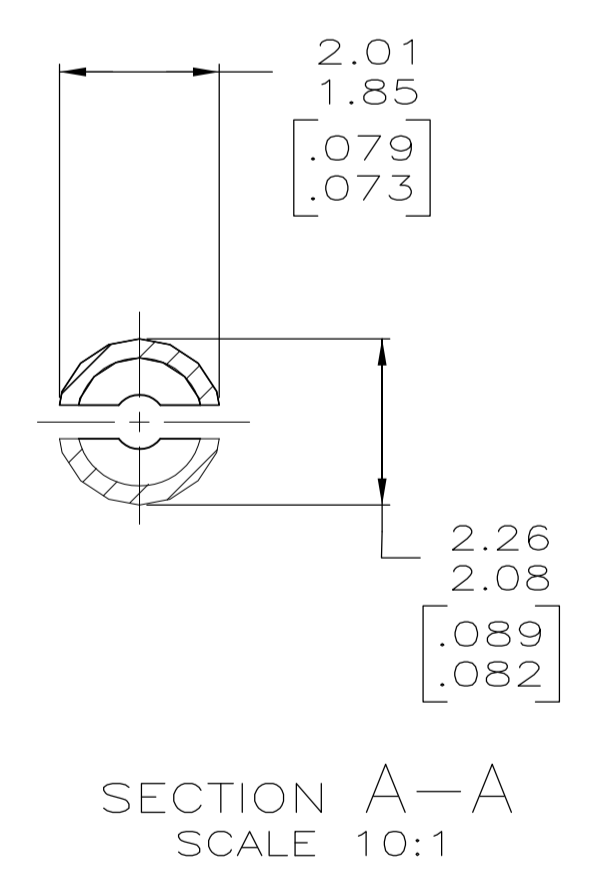
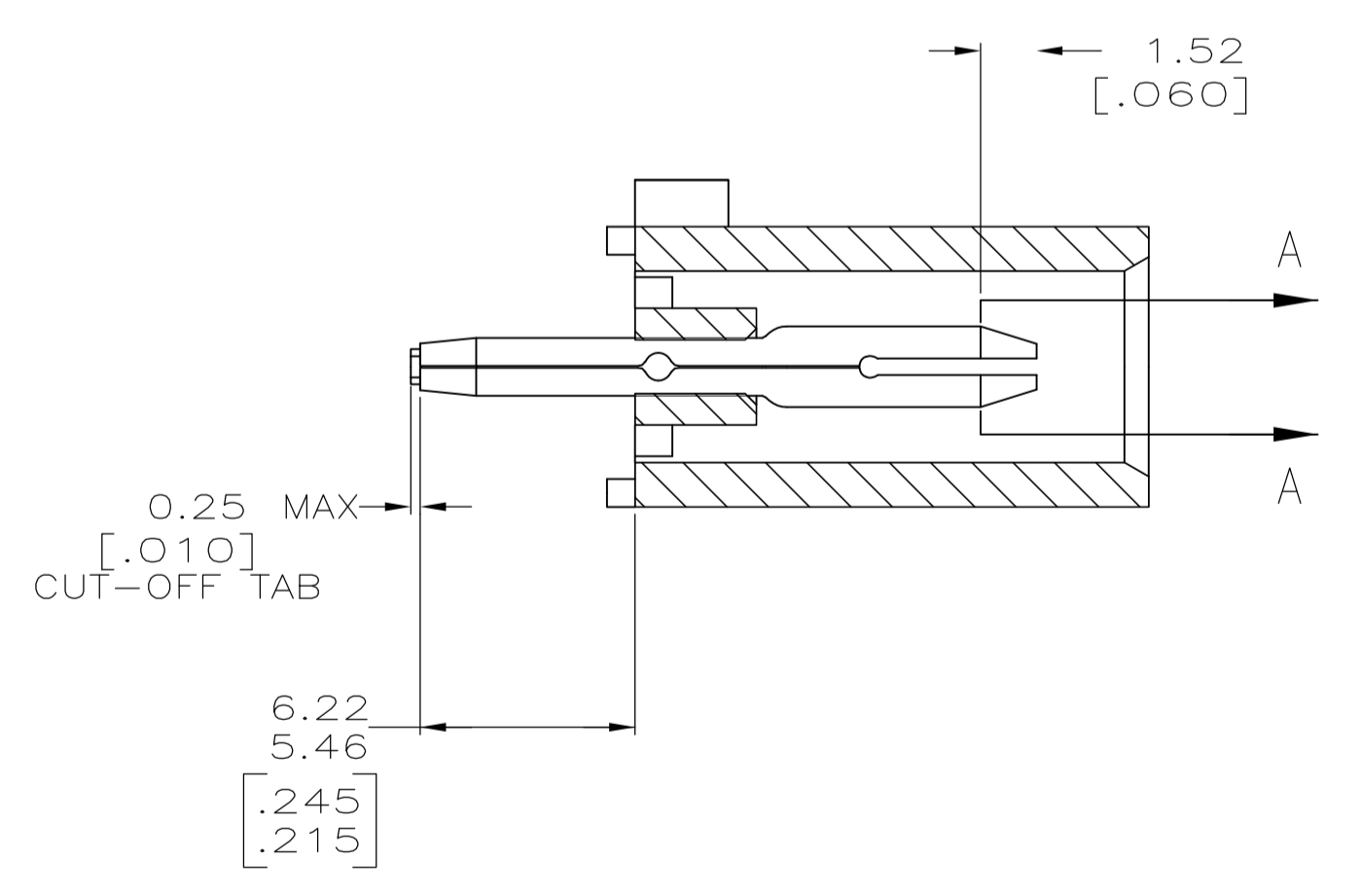
LOC		DIST		REVISIONS			
P	LTR	DESCRIPTION	DATE	DNW	APVD		
B		REV PER ECR 10-018921	14SEPT10	JR	TM		



- PARTS COMPLY WITH AMP SOLDERABILITY SPECIFICATION 109-11-3.
- DIMENSIONS IN BRACKETS ARE IN INCHES.
- CIRCUIT IDENTIFICATION CHARACTERS ARE ADJACENT TO THE INDICATED CAVITIES, BUT LOCATION AND ORIENTATION MAY DIFFER FROM PRINT.
- FLAMMABILITY V2 FOR THICKNESS 0.38mm, 1.5mm, and 3.0mm PER IEC 60695-11-10.
- GLOW-WIRE FLAMMABILITY (GWFI) 800°C FOR THICKNESS 0.38mm AND 0.75mm PER IEC 60695-2-12.
- GLOW-WIRE FLAMMABILITY (GWFI) 960°C FOR THICKNESS 1.5mm AND 3.0mm PER IEC 60695-2-12.
- GLOW-WIRE IGNITION (GWIT) 825°C FOR THICKNESS 0.38mm, 0.75mm, 1.5mm AND 3.0mm PER IEC 60695-2-13.

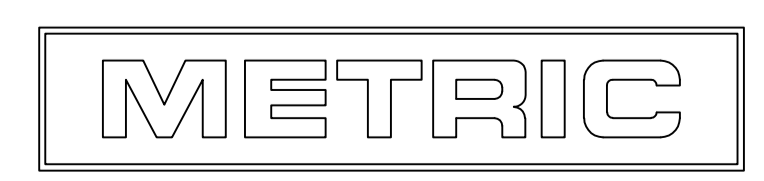


RECOMMENDED MOUNTING HOLE PATTERN FOR 3.18 [.125] THICK P.C. BOARD



3-DIMENSIONAL MODEL NTS

PHOSPHOR BRONZE, PRE-TIN	NYLON,UL94V-2,NATURAL	1586961-1
PIN CONTACT MATERIAL AND FINISH	HOUSING MATERIAL	PART NUMBER



THIS DRAWING IS A CONTROLLED DOCUMENT.		DIN K. WHITAKER 26JUL2007	Tyco Electronics Corporation Greensboro, NC 27409
DIMENSIONS: mm [INCHES]		CHK D. COLEY 26JUL2007	
TOLERANCES UNLESS OTHERWISE SPECIFIED:		APVD D. COLEY 26JUL2007	NAME: PIN HEADER ASSEMBLY, 3 CIRCUIT, UNIVERSAL MATE-N-LOK(TM)
0 PLC ± -		PRODUCT SPEC	
1 PLC ± -		APPLICATION SPEC	SIZE: A1
2 PLC ± 0.13 [.005]		WEIGHT: -	CAGE CODE: 00779
3 PLC ± -		CUSTOMER DRAWING	DRAWING NO: 1586961
4 PLC ± -		SCALE: 5:1	SHEET 1 OF 1
ANGLES ± -		RESTRICTED TO	REV B