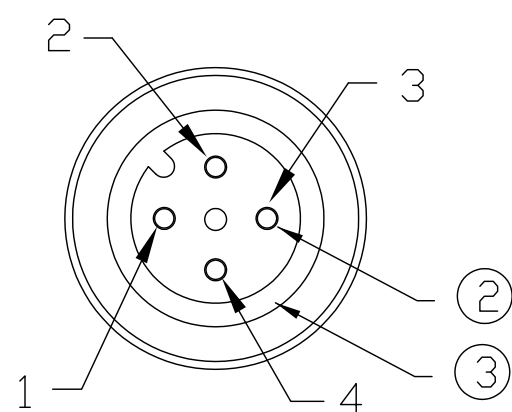
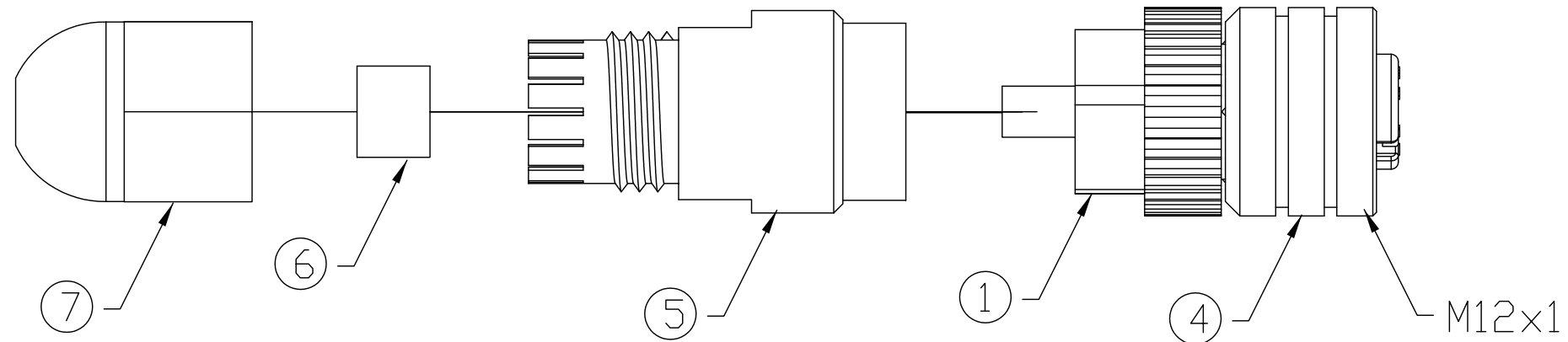
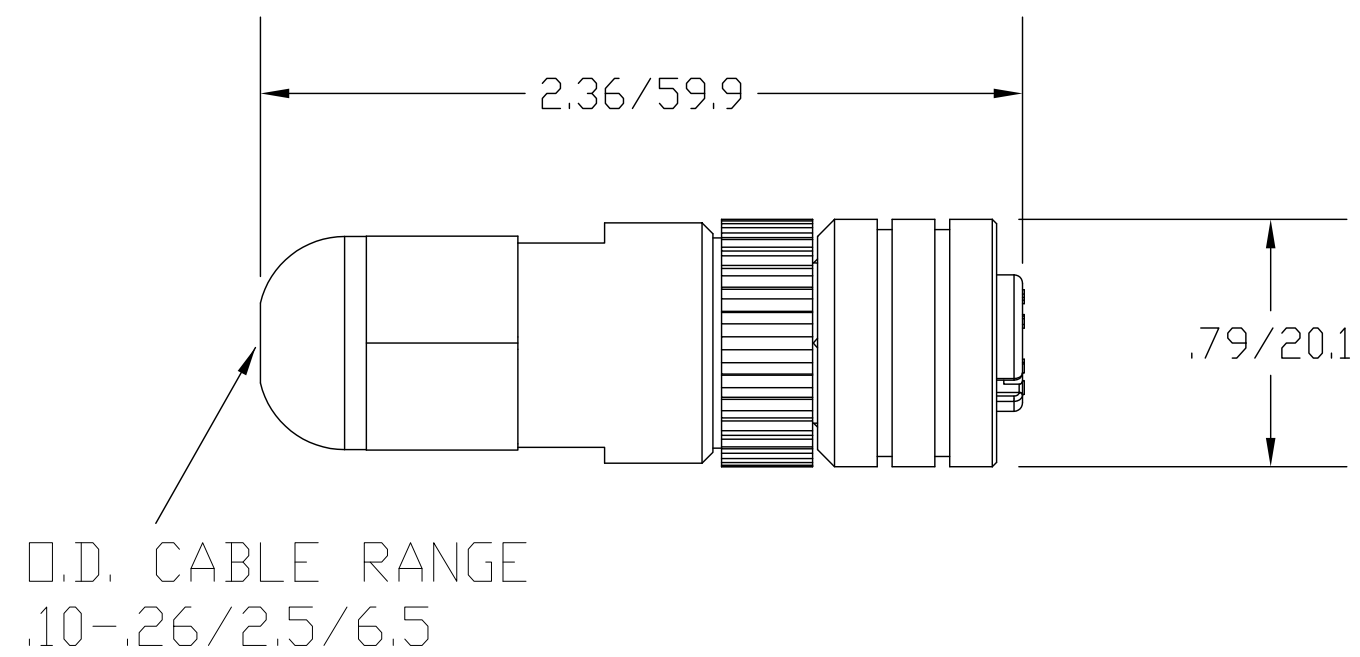
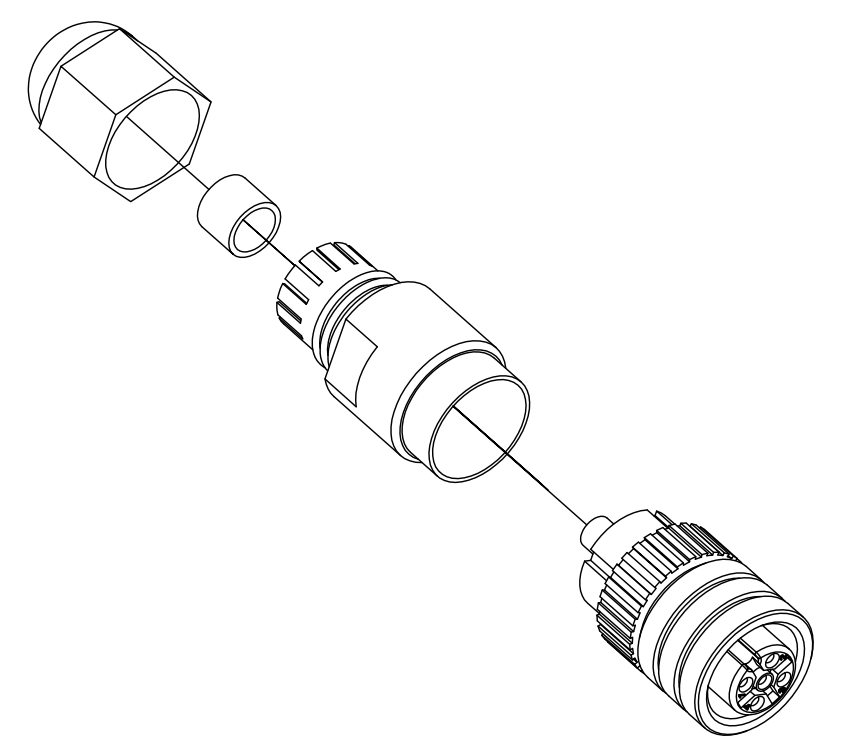
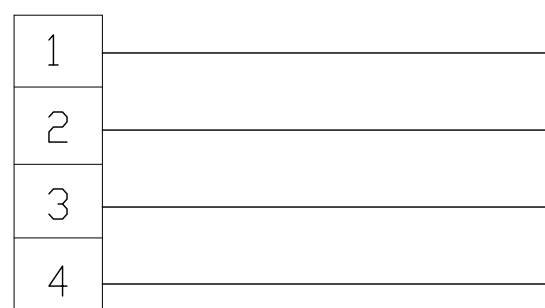


MATERIAL NUMBER	OLD PART NUMBER
120071-0035	8A4000-31



FEMALE FACE VIEW



WIRING DIAGRAM

VOLTAGE RATING	250VAC/ 300VDC
AMPERAGE RATING	4 AMPS
PROTECTION	IP67
OPERATING TEMPERATURE	-25°C TO 90°C
CSA CERTIFICATIONS	CSA CERTIFIED, FILE NO. LR6837

ITEM	COMPONENT	MATERIAL	FINISH
1	INSERT	NYLON	BLACK
2	CONTACTS	COPPER ALLOY	SILVER PLATED
3	O-RING	NITRILE	RED
4	COUPLING NUT	BRASS	NICKEL PLATED
5	MOLDED BODY	NYLON	BLACK
6	GROMMET	NITRILE	BLACK
7	CORD GRIP BODY	NYLON	BLACK

RLS D DRAWING EC NO: WNA2009-0624 DRWN: BWOODMAN 3/26/09 CH'KD: JM APPR: JFMURPHY 2009/04/01	QUALITY SYMBOL ▽=0 C=0	GENERAL TOLERANCES (UNLESS SPECIFIED) 4 PLACES ±--- 3 PLACES ±--- 2 PLACES ±--- ±.01 1 PLACE ±0.3 ±--- ANGULAR ±---°	DIMENSION STYLE IN/MM DRAWN BY DATE BW 2009/03/26 CHECKED BY DATE LH 2009/03/26 APPROVED BY DATE	SCALE --- DESIGN UNITS --- THIRD ANGLE PROJECTION
	DRAFT WHERE APPLICABLE MUST REMAIN WITHIN DIMENSIONS		MATERIAL NO. SEE CHART	TITLE M12 4P FEMALE ATTACHABLE PG7 MOLEX INCORPORATED
	SIZE C	THIS DRAWING CONTAINS INFORMATION THAT IS PROPRIETARY TO MOLEX INCORPORATED AND SHOULD NOT BE USED WITHOUT WRITTEN PERMISSION		
	A	DOCUMENT NO. SD-120071-002	SHEET NO. 1 OF 1	