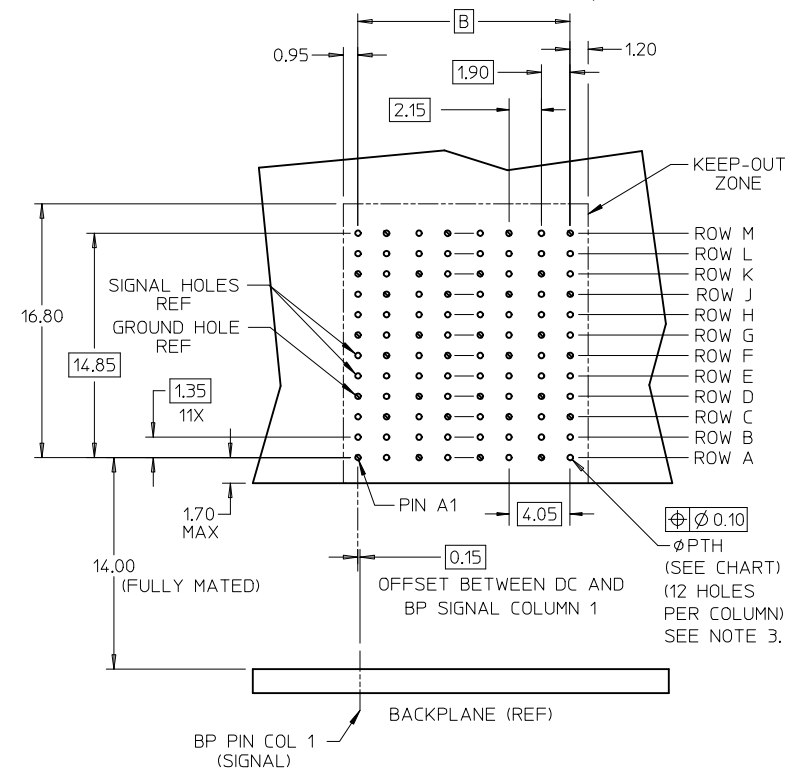
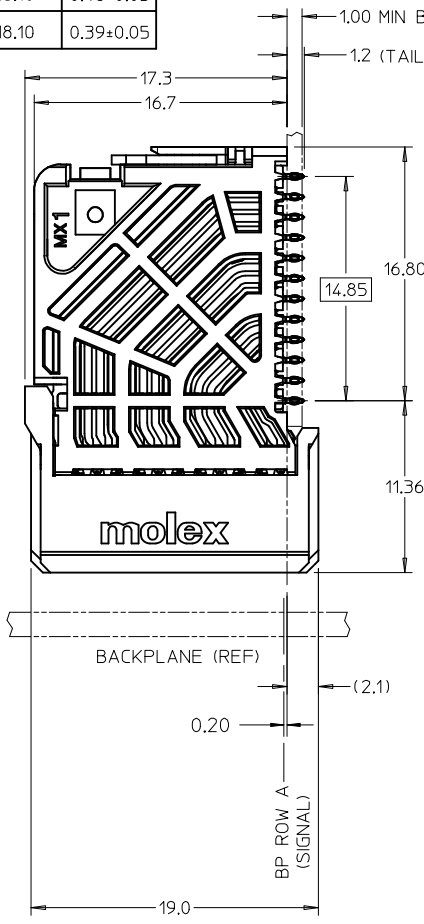
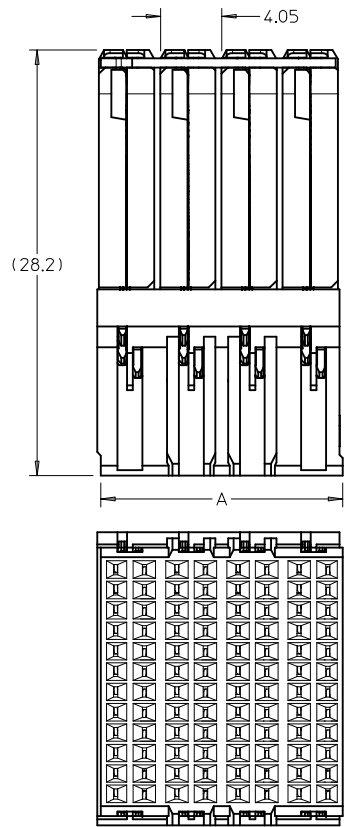
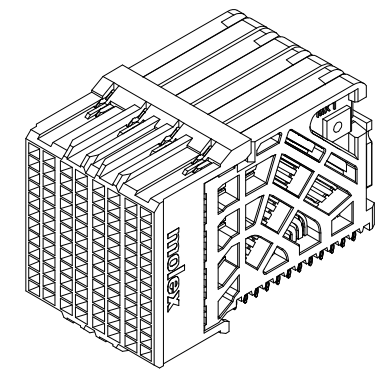


MATERIAL NUMBER	# OF COLUMNS	# OF DIFF PAIR	DIM "A" MAX	DIM "B"	PTH $\phi$
76850-1006	6	24	12.15	10.00	0.46 $\pm$ 0.05
76850-1036	6	24	12.15	10.00	0.39 $\pm$ 0.05
76850-1008	8	32	16.20	14.05	0.46 $\pm$ 0.05
76850-1038	8	32	16.20	14.05	0.39 $\pm$ 0.05
76850-1010	10	40	20.25	18.10	0.46 $\pm$ 0.05
76850-1020	10	40	20.25	18.10	0.39 $\pm$ 0.05

76850-\*0\*\*

MODULE & TAIL PLATING TYPE  
1 = UNGUIDED, LEAD-FREE

# OF COLUMNS  
06 = 6 COL 0.46 PTH  
36 = 6 COL 0.39 PTH  
08 = 8 COL 0.46 PTH  
38 = 8 COL 0.39 PTH  
10 = 10 COL 0.46 PTH  
20 = 10 COL 0.39 PTH



DAUGHTERCARD HOLE PATTERN  
(CONNECTOR SIDE)

- NOTES:
1. MATERIALS: HOUSING - LIQUID CRYSTAL POLYMER (LCP), GLASS-FILLED, UL94V-0  
TERMINALS - HIGH PERFORMANCE COPPER ALLOY
  2. FINISH: 30 $\mu$ IN MIN GOLD IN CONTACT AREA, SELECTIVE TIN ON PCB TAILS, NICKEL OVERALL.
  3. REFER TO MOLEX PRODUCT SPEC PS-76060-999 FOR PERFORMANCE SPECIFICATIONS AND ADDITIONAL PCB INFORMATION.
  4. EACH SIGNAL WAFER CONTAINS 2 COLUMNS OF TERMINALS.
  5. PRODUCT IS PACKAGED PER PK-70873-610.
  6. THIS PART CONFORMS TO CLASS B REQUIREMENTS OF COSMETIC SPEC PS-45499-002.
  7. REFER TO MOLEX SALES DRAWING SD-76845-001 FOR THE MATING HEADERS.
  8. REFER TO MOLEX ROUTING GUIDE AS-76850-990 FOR ADDITIONAL PCB LAYOUT AND ROUTING RECOMMENDATIONS.

REMOVE TIN-LEAD REF EC NO: UCP2015-5541 DRAWN BY: JLAURX CHKD: DRWINB MILLER APPR: TELO 2015/06/29 2015/07/07	DESCRIPTION IMPACT DAUGHTERCARD 4 PAIR ORTHOGONAL UNGUIDED SALES DRAWING	QUALITY SYMBOLS $\nabla=0$ $\nabla=0$	GENERAL TOLERANCES (UNLESS SPECIFIED) <table border="1"> <tr> <th></th> <th>mm</th> <th>INCH</th> </tr> <tr> <td>4 PLACES</td> <td><math>\pm</math>---</td> <td><math>\pm</math>---</td> </tr> <tr> <td>3 PLACES</td> <td><math>\pm</math>---</td> <td><math>\pm</math>---</td> </tr> <tr> <td>2 PLACES</td> <td><math>\pm</math>0.15</td> <td><math>\pm</math>---</td> </tr> <tr> <td>1 PLACE</td> <td><math>\pm</math>0.25</td> <td><math>\pm</math>---</td> </tr> </table>		mm	INCH	4 PLACES	$\pm$ ---	$\pm$ ---	3 PLACES	$\pm$ ---	$\pm$ ---	2 PLACES	$\pm$ 0.15	$\pm$ ---	1 PLACE	$\pm$ 0.25	$\pm$ ---	DIMENSION STYLE <b>MM ONLY</b>	SCALE <b>4:1</b>	DESIGN UNITS <b>METRIC</b>	THIRD ANGLE PROJECTION
			mm	INCH																		
		4 PLACES	$\pm$ ---	$\pm$ ---																		
		3 PLACES	$\pm$ ---	$\pm$ ---																		
2 PLACES	$\pm$ 0.15	$\pm$ ---																				
1 PLACE	$\pm$ 0.25	$\pm$ ---																				
DRAWN BY: JLAURX DATE: 2008/12/08	CHECKED BY: TELO DATE: 2010/01/13	APPROVED BY: JB INGHAM DATE: 2010/01/14			<b>MOLEX</b> MOLEX INCORPORATED																	
DRAFT WHERE APPLICABLE MUST REMAIN WITHIN DIMENSIONS			<b>SEE CHART</b>			DOCUMENT NO. SD-76850-001																
SIZE C			THIS DRAWING CONTAINS INFORMATION THAT IS PROPRIETARY TO MOLEX INCORPORATED AND SHOULD NOT BE USED WITHOUT WRITTEN PERMISSION																			