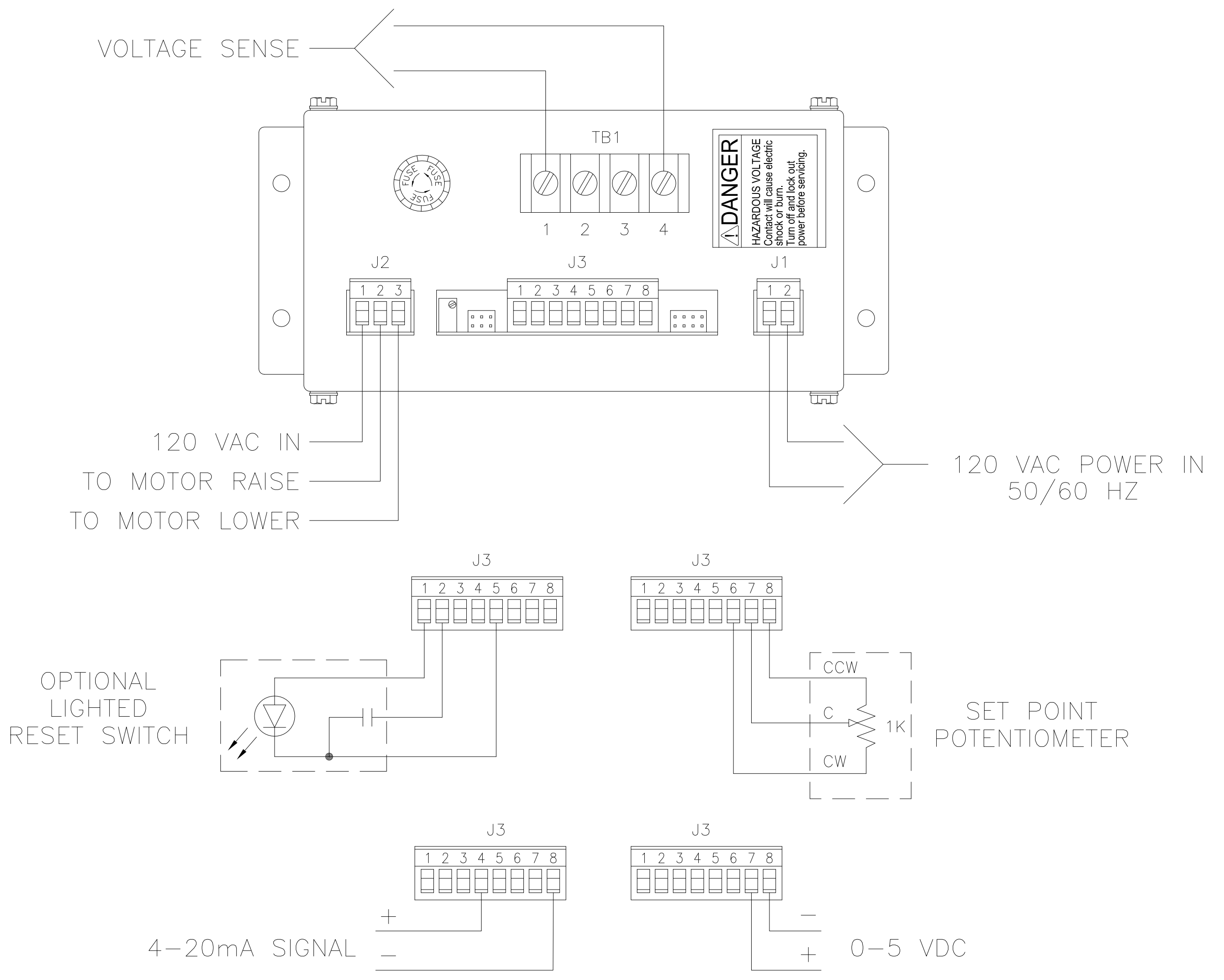
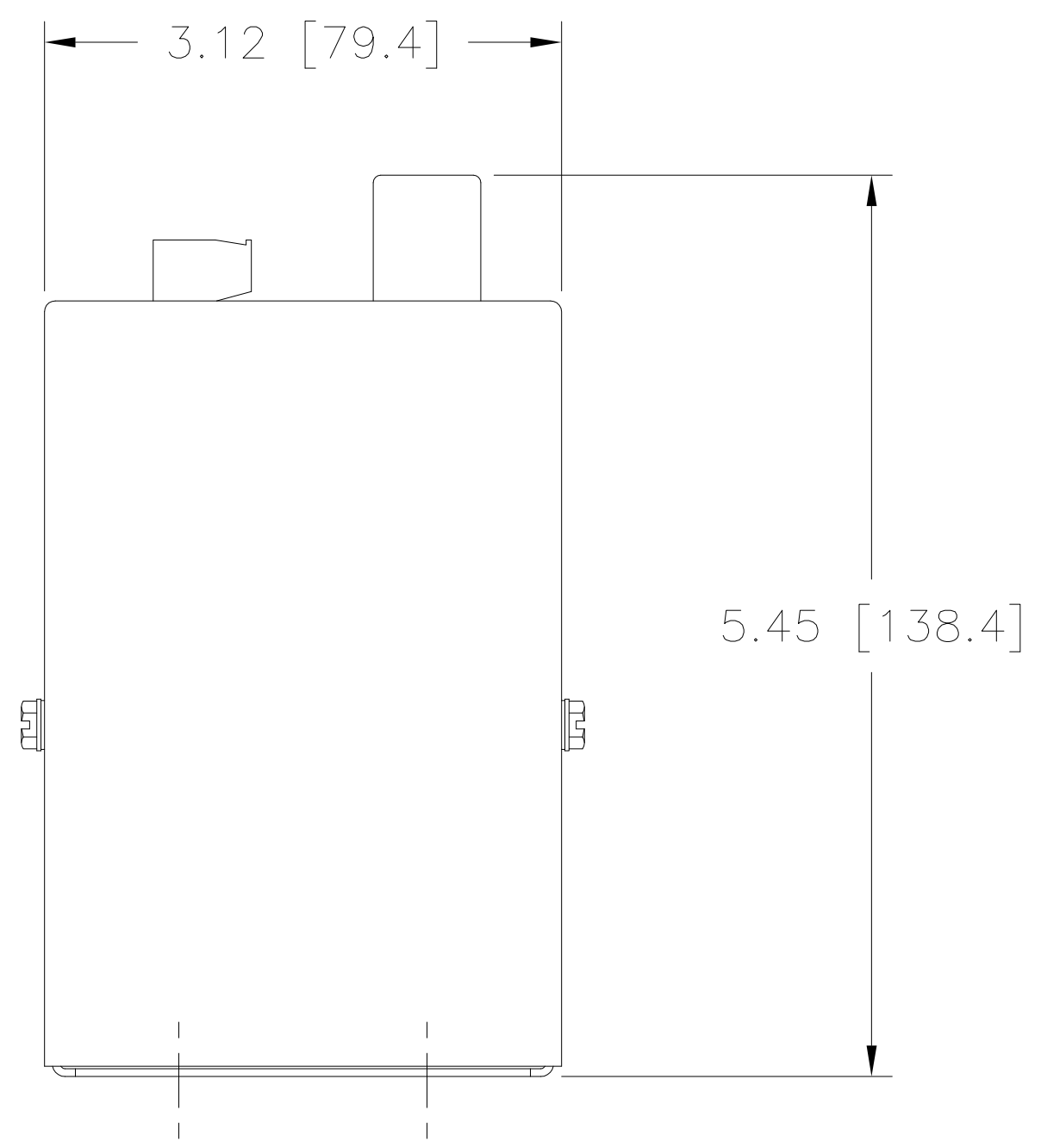
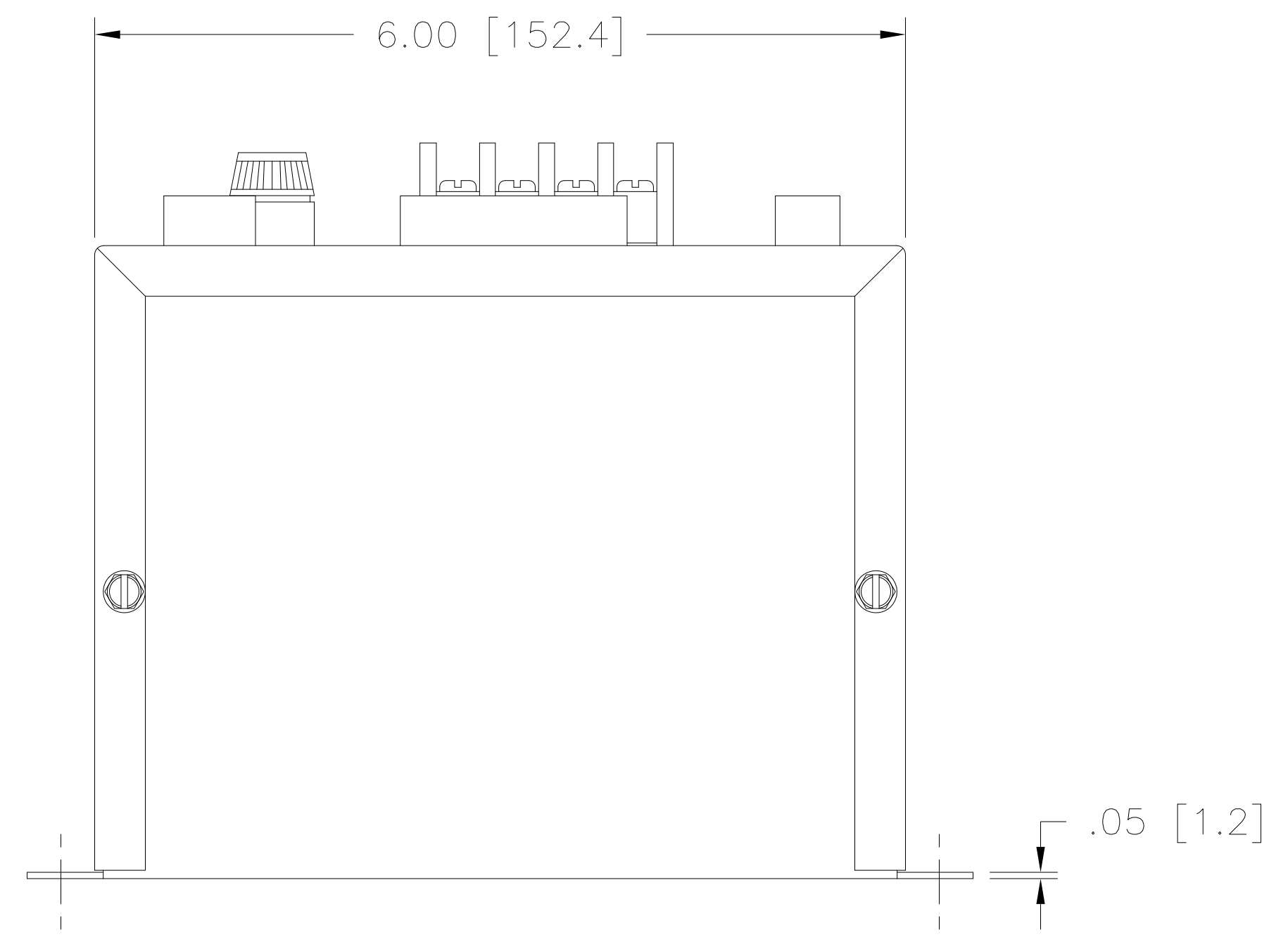
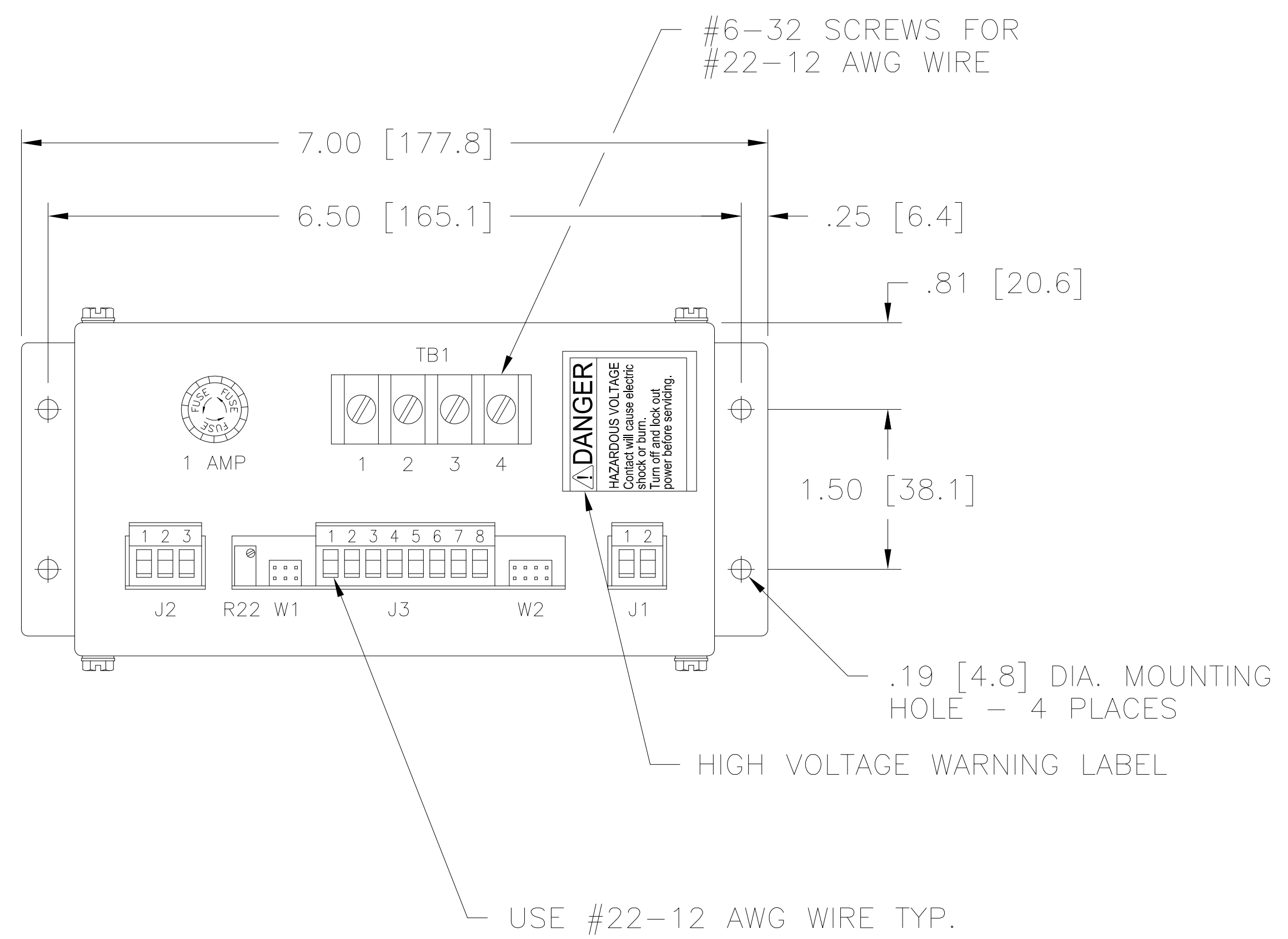
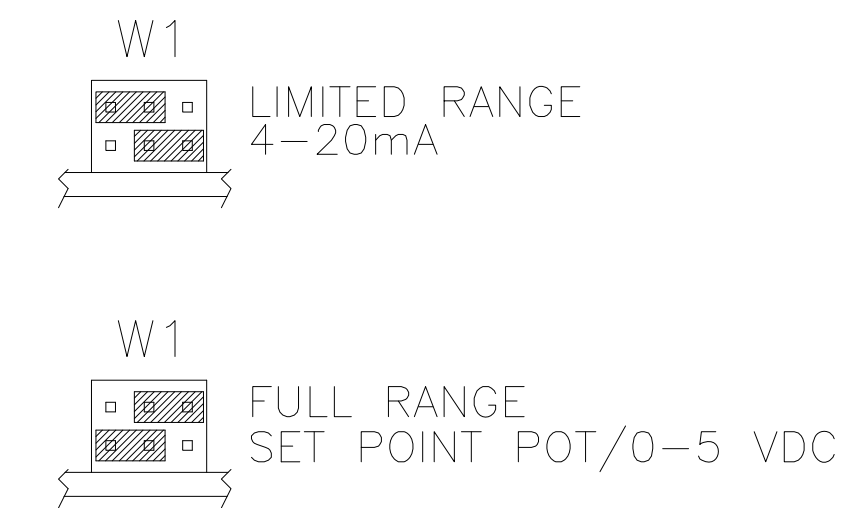


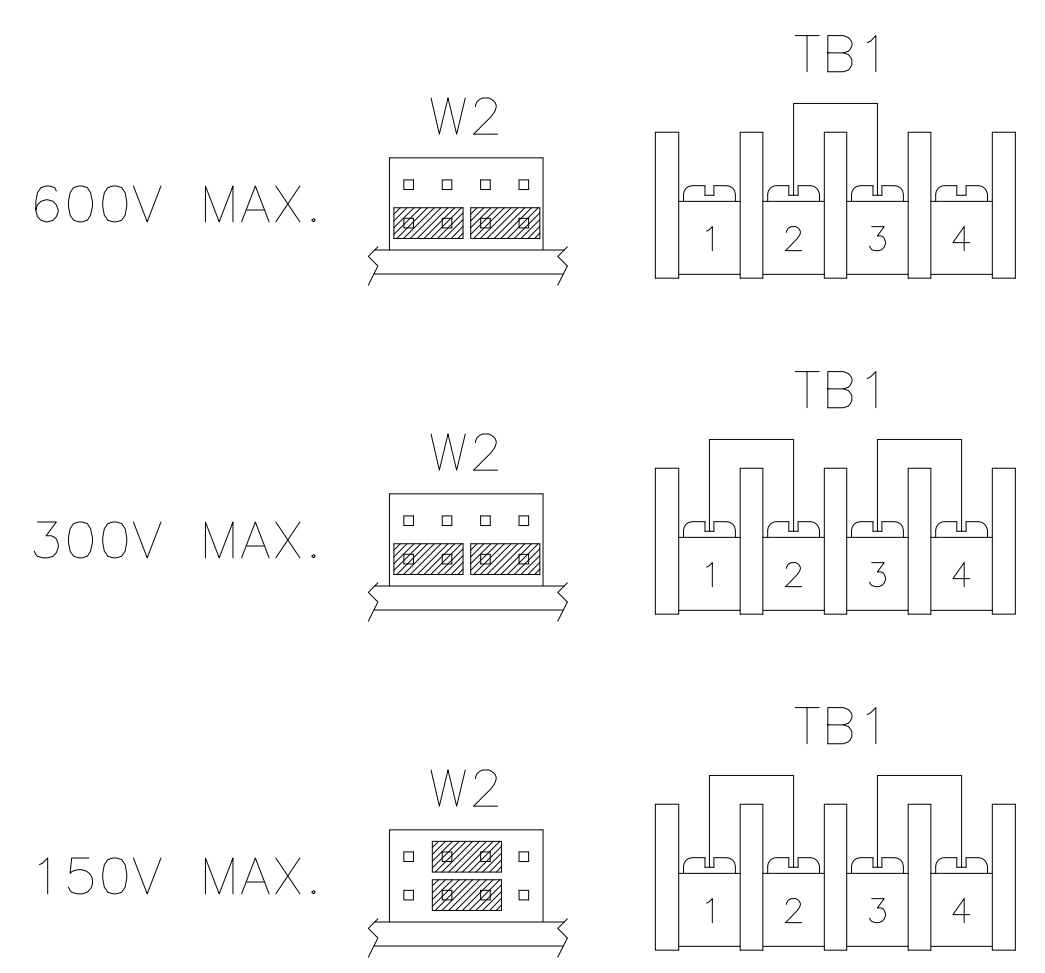
DWG. NO.	095-0561		
REVISIONS			
SYM.	E.C.O.	DATE	APVD.
A	28788	3/22/17	
ADD WARNING LABEL			
B	28847	5/31/17	
UPDATED 4-20mA SIGNAL			



WIRING DIAGRAM



RANGE/SET POINT SELECTION  
FULL RANGE/SET POINT POT IS STANDARD



SENSE VOLTAGE SELECTION  
300V IS STANDARD  
(JUMPERS SUPPLIED WITH UNIT)

UNLESS OTHERWISE SPECIFIED, TOLERANCE IS ±		UNITS		TITLE:	
DECIMALS	HOLE	ANGLES	DRAFT	SPEC. CONTROL DRAWING	
.XX .010	.03	.005	.01	1°	1-1/2°
.XXX	.005				
MATERIAL:		ALL DIMENSIONS APPLY AFTER PLATING.		DRAWN BY	
				I.SNAY	
				DATE	
				1/18/08	
				FIRST USED ON	
				FRC-20	
				DO NOT SCALE DWG.	
				WEIGHT APPROX.	
				3 LBS	
				CASE CODE	
				83008	
				SCALE	
				1=1	
				SHEET 1 OF 1	
				DWG. NO.	
				095-0561	

