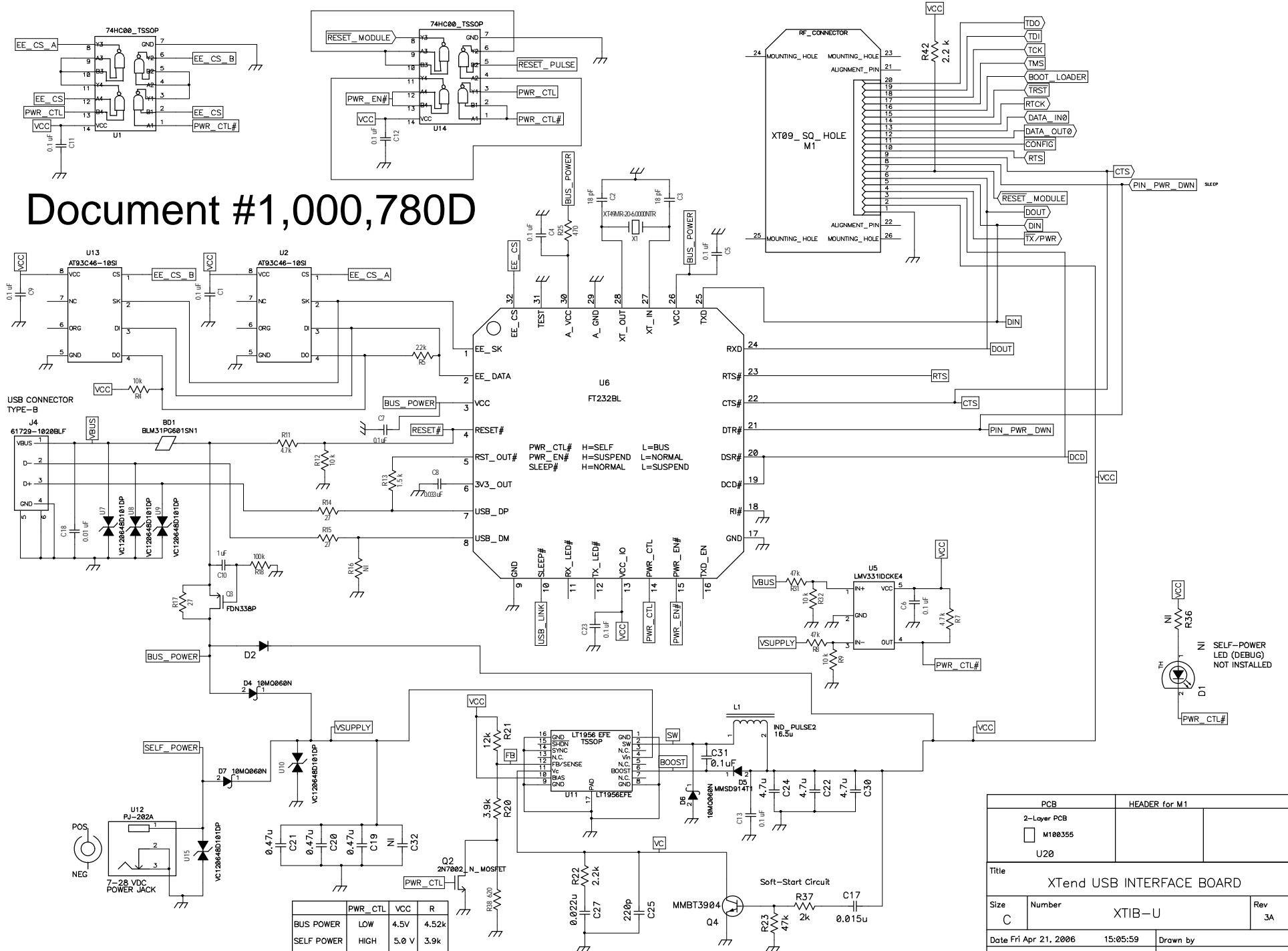
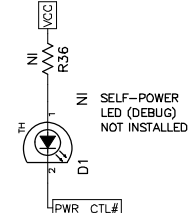


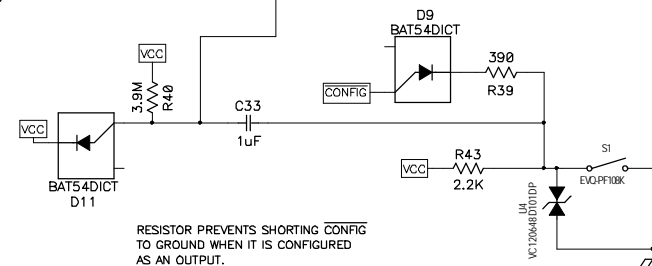
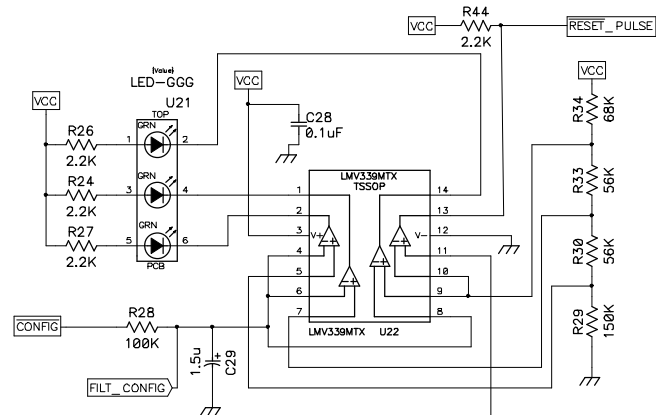
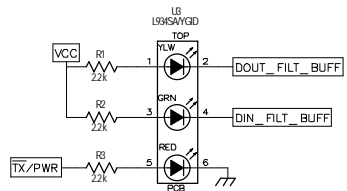
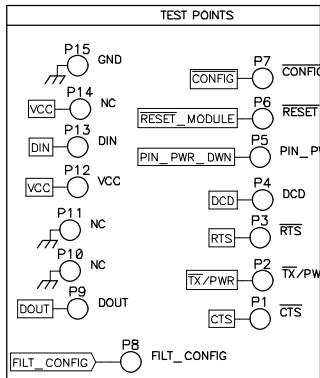
Document #1,000,780D



	PWR_CTL	VCC	R
BUS POWER	LOW	4.5V	4.52k
SELF POWER	HIGH	5.0 V	3.9k

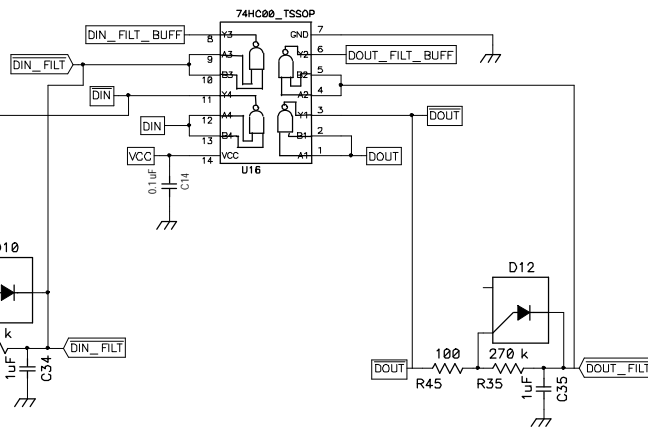


PCB		HEADER for M1	
2-Layer PCB			
M100355			
U20			
Title XTend USB INTERFACE BOARD			
Size	Number	XTIB-U	Rev 3A
C			
Date Fri Apr 21, 2006 15:05:59		Drawn by	
Filename XTIB_U_Rev3a.sch		Sheet 1 of 2	



RESISTOR PREVENTS SHORTING CONFIG TO GROUND WHEN IT IS CONFIGURED AS AN OUTPUT.

PUTS M1 INTO VARIOUS MODES EMERGENCY CONFIG.



Title		
XTend USB INTERFACE BOARD		
Size	Number	Rev
C	XTIB-U	3A
Date	Fri Apr 21, 2006 15:05:59	Drawn by
Filename	XTIB_U_Rev3a.sch	Sheet 2 of 2