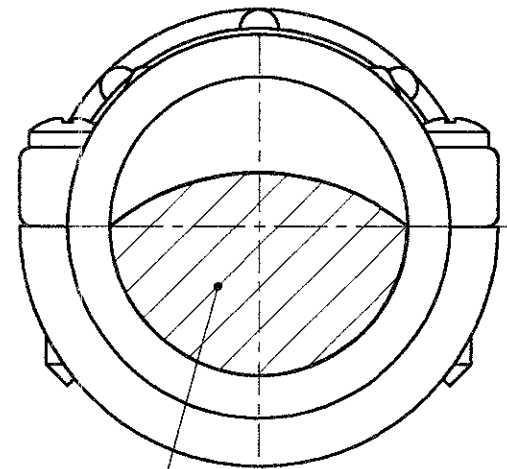
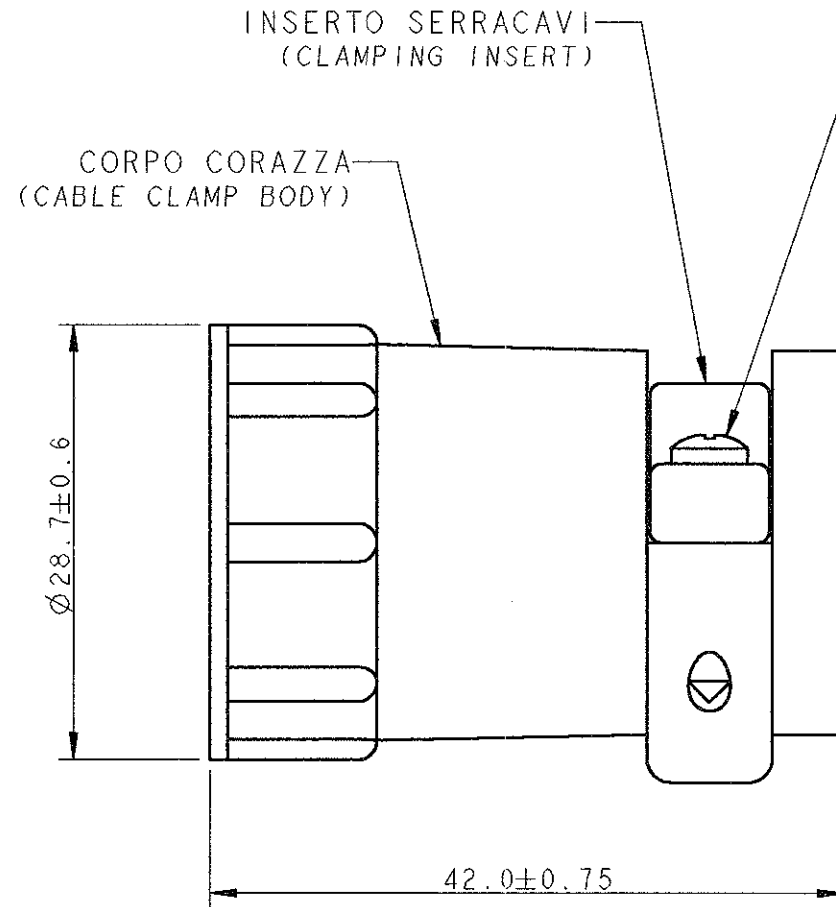


| LOC | DIST | REVISIONS                       |                     |     |      |
|-----|------|---------------------------------|---------------------|-----|------|
| P   | LTR  | DESCRIPTION                     | DATE                | DWN | APVD |
|     | B    | REDRAWN, ET00-0298-00           | 17 Nov '00          | RE  | CT   |
|     | C    | Changed screw according to RoHS | 28/07/05<br>ECR7789 | AV  | GT   |



AREA SERRAGGIO CAVI  
(CLAMPING AREA) 3



- 1) MATERIALE : TERMOPLASTICO, COLORE NERO  
(MATERIAL : THERMOPLASTIC, BLACK COLOUR)
- 2) PARTICOLARI FORNITI NON ASSEMBLATI IN SACCHETTO DI PLASTICA  
(PARTS PACKAGED UNASSEMBLED INTO A PLASTIC BAG)
- 3) L'AREA SERRAGGIO CAVI E' VARIABILE DA 64.5 A 264.5 mm<sup>2</sup>  
IN FUNZIONE DEL TIPO E POSIZIONE DELL'INSERTO SERRACAVO  
(CABLE CLAMPING AREA ADJUSTABLE FROM .100 TO .410 SQ. IN.  
BY SELECTING AND REVERSING CLAMPING INSERTS)
- 4) QUESTO CONNETTORE E' RICONOSCIUTO E CERTIFICATO   
(THIS CONNECTOR IS UL RECOGNIZED AND CSA CERTIFIED)
- 5) Ø MAX DEL FASCIO CAVI = 17.9 mm.  
(MAXIMUM CABLE O.D. = .703 IN.)

P/N 182661-1 COME RAPPRESENTATO  
(P/N 182661-1 AS SHOWN)

|   |  |                           |   |                    |
|---|--|---------------------------|---|--------------------|
| THIS DRAWING IS A CONTROLLED DOCUMENT FOR AMP INCORPORATED.<br>IT IS SUBJECT TO CHANGE AND THE CONTROLLING ENGINEERING<br>ORGANIZATION SHOULD BE CONTACTED FOR THE LATEST REVISION. |  | DWN<br>R. FABRIZI         | AMP Italia S.p.A.<br>C.so F.lli Cervi, 15 COLLEGNO (TO) |                    |
| DIMENSIONS:<br>mm   |  | CHK<br>-                  | NAME<br>C.P.C. CABLE CLAMP KIT<br>SIZE 17<br>(SPECIAL)  |                    |
| TOLERANCES UNLESS OTHERWISE SPECIFIED:<br>0 PLC ±<br>1 PLC ± ±0.3<br>2 PLC ± ±<br>3 PLC ± ±<br>4 PLC ± ±<br>ANGLES ±2°  |  | APVD<br>C. TARTARI        | DRAWING NO<br>C=182661                                  |                    |
| MATERIAL<br>-   |  | PRODUCT SPEC<br>108-10024 | SIZE<br>A3  | CAGE CODE<br>00779 |
| FINISH<br>-   |  | APPLICATION SPEC<br>-     | SCALE<br>2:1  |                    |
| -   |  | WEIGHT<br>-               | SHEET<br>1 OF 1   |                    |
| -   |  | CUSTOMER DRAWING          | REV<br>C  |                    |