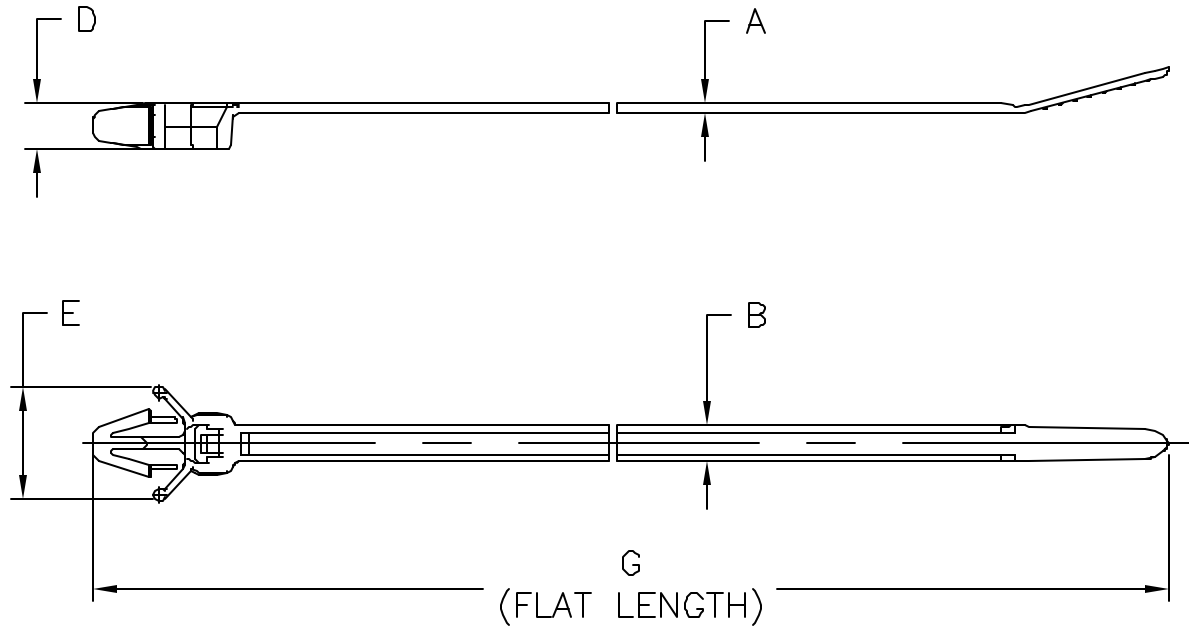


Revision level		Revision Record	Changed	Date	Approved	Date
part	drawing					
-	02	See ECN 010831	A.A.C.	08/28/07	K.A.C.	08/28/07



02

Product Code	Cable Range (mm)	Material	Panel Hole Dia	Panel Thickness	A	B	D	E	G	Min Loop Tensile Strength (newtons)
T50SSFM	3.2 to 35	PA6.6	6.0 to 6.6	0.7 to 3.0	1.2 ±0.2	4.6±0.2	5.6 ±0.5	14.7 ±1.5	160.0 ±5.0	225
T50SSFM_HIRHS		PA6.6HIRHS								

SEE CHART

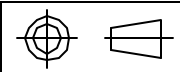
Material

Dimension tolerances unless otherwise specified
 .XXXX = ± .0130
 .XXX = ± .130
 .XX = ± .30
 .X = ± .8
 < = ± 0.5

Dimension Units mm

PERFORMANCE SPECIFICATION

ACAD MECH
2008



ALL PROPRIETARY RIGHTS IN THE SUBJECT MATTER SHOWN ON THIS DRAWING ARE EXCLUSIVE PROPERTY OF HELLERMANN TYTON

Drawn A.A.C. 02/15/07
 Approved K.A.C. 08/28/07

HellermannTyton

7930 N. Faulkner Rd.
 Milwaukee, WI 53224
 Ph: (414) 355-1130
 Fx: (414) 362-8338

Scale 1:1
 Computer File Number CT\CST\CT07-004-002_02
 Title

**T50SSFM
 WING PUSH MOUNT TIE**

Drawing-No **CT07-004-002CST**
 Format AH
 Sheet 1 of 1