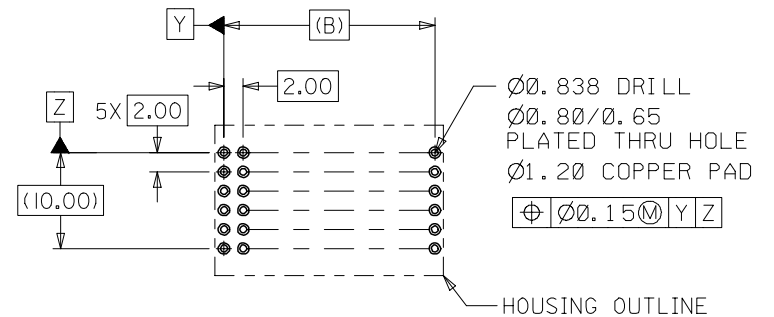
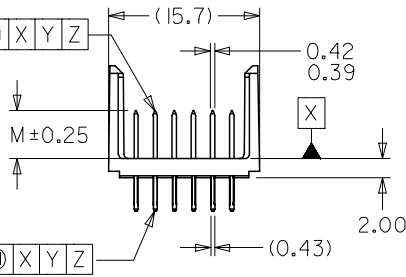
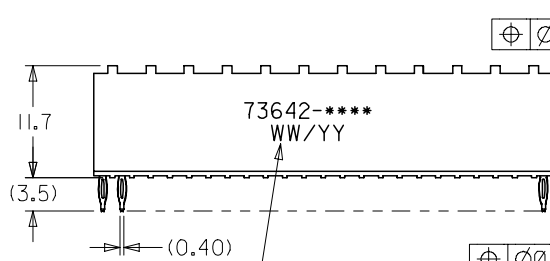
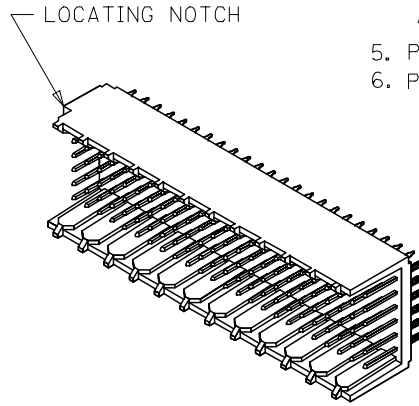
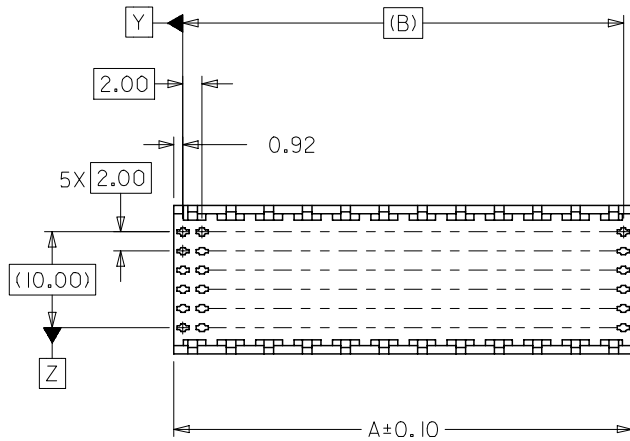


## NOTES:

1. MATERIALS: HOUSING - LIQUID CRYSTAL POLYMER (LCP), GLASS-FILLED, UL94V-0, COLOR: BLACK,  
TERMINAL - PHOSPHOR BRONZE.
2. FINISHES: SELECTIVE GOLD (Au) IN CONTACT AREA,  
SELECTIVE TIN (Sn) IN TAIL AREA;  
NICKEL (Ni) OVERALL.
3. THIS PART CONFORMS TO MOLEX PRODUCT SPECIFICATION PS-73670-9999.
4. FOR MIXED CONTACT MATING LENGTHS, CONSULT FACTORY FOR AVAILABILITY.
5. PACKAGE PER PK-70873-0818.
6. PARTS MARKED WITH PART NUMBER AND DATE CODE, ON EITHER SIDE, APPROXIMATELY WHERE SHOWN.



PCB LAYOUT: COMPONENT SIDE  
RECOMMENDED PCB THICKNESS: 2.50 MIN.

INITIAL RELEASE EC NO: UCP2006-1564 DRW: JONIAK 2006/01/31 CHKD: JBINGHAM 2006/01/31 APPR: CBI XLER 2006/02/02	QUALITY SYMBOLS ▽=0 ▽=0	GENERAL TOLERANCES (UNLESS SPECIFIED)		DIMENSION STYLE MM ONLY	SCALE 2:1	DESIGN UNITS METRIC	THIRD ANGLE PROJECTION	
			mm	INCH	DRAWN BY JJONIAK	DATE 2005/11/01	TITLE SALES ASSEMBLY LEADFREE HDM BACKPLANE MODULE OPEN END OPTION	
		4 PLACES	± ---	± ---	CHECKED BY JBINGHAM	DATE 2005/11/01	MOLEX INCORPORATED	
		3 PLACES	± ---	± ---	APPROVED BY JBINGHAM	DATE 2005/11/01	DOCUMENT NO. SD-73642-003	
			2 PLACES	± ---	± ---	SHEET NO. 1 OF 2		
			1 PLACE	± ---	± ---	THIS DRAWING CONTAINS INFORMATION THAT IS PROPRIETARY TO MOLEX INCORPORATED AND SHOULD NOT BE USED WITHOUT WRITTEN PERMISSION		
			ANGULAR ±1/2°		DRAFT WHERE APPLICABLE MUST REMAIN WITHIN DIMENSIONS			
REV A	DESCRIPTION	SEE PAGE 2						

10 9 8 7 6 5 4 3 2 1

MATERIAL NUMBER	NUMBER OF SIGNAL CONTACTS	PLATING	DIM "A"	DIM "B"	DIM "M"
73642-2009	72	SELECTIVE GOLD/SELECTIVE TIN	23.84	22.00	5.00
73642-2109	72	SELECTIVE GOLD/SELECTIVE TIN	23.84	22.00	5.50
73642-2209	72	SELECTIVE GOLD/SELECTIVE TIN	23.84	22.00	6.00
73642-3009	144	SELECTIVE GOLD/SELECTIVE TIN	47.84	46.00	5.00
73642-3109	144	SELECTIVE GOLD/SELECTIVE TIN	47.84	46.00	5.50
73642-3209	144	SELECTIVE GOLD/SELECTIVE TIN	47.84	46.00	6.00

INITIAL RELEASE EC NO: UCP2006-1564 DRWN: JJONIAK 2006/01/31 CHKD: JBINGHAM 2006/01/31 APPR: CBI XLER 2006/02/02	DESCRIPTION REV A	QUALITY SYMBOLS ▽=0 ▽=0	GENERAL TOLERANCES (UNLESS SPECIFIED)		DIMENSION STYLE MM ONLY		SCALE ---	DESIGN UNITS METRIC	THIRD ANGLE PROJECTION	
			4 PLACES ± --- ± --- 3 PLACES ± --- ± --- 2 PLACES ± --- ± --- 1 PLACE ± --- ± ---	mm INCH ± --- ± --- ± --- ± --- ± --- ± ---	DRAWN BY JJONIAK CHECKED BY JBINGHAM APPROVED BY JBINGHAM	DATE 2005/11/01 DATE 2005/11/01 DATE 2005/11/01	TITLE SALES ASSEMBLY LEADFREE HDM BACKPLANE MODULE OPEN END OPTION			
			ANGULAR ±1/2°	DRAFT WHERE APPLICABLE MUST REMAIN WITHIN DIMENSIONS		MATERIAL NO. SEE CHART		DOCUMENT NO. SD-73642-003		SHEET NO. 2 OF 2
		THIS DRAWING CONTAINS INFORMATION THAT IS PROPRIETARY TO MOLEX INCORPORATED AND SHOULD NOT BE USED WITHOUT WRITTEN PERMISSION					MOLEX INCORPORATED			

9 8 7 6 5 4 3 2 1