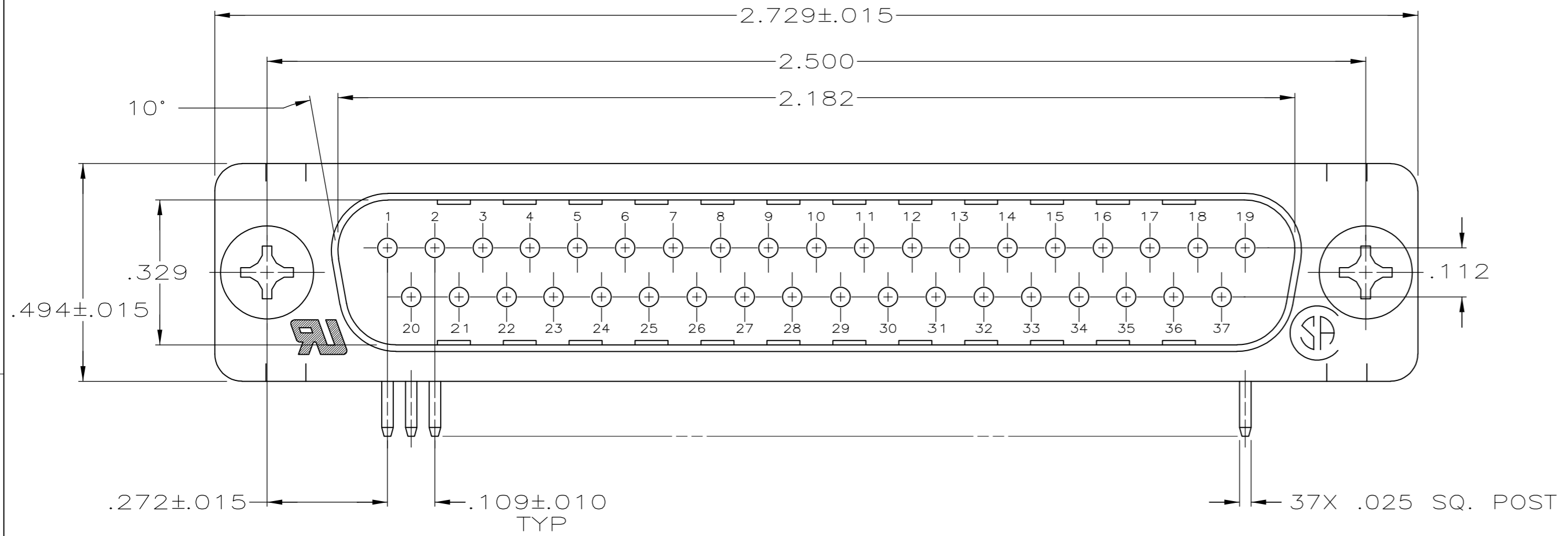
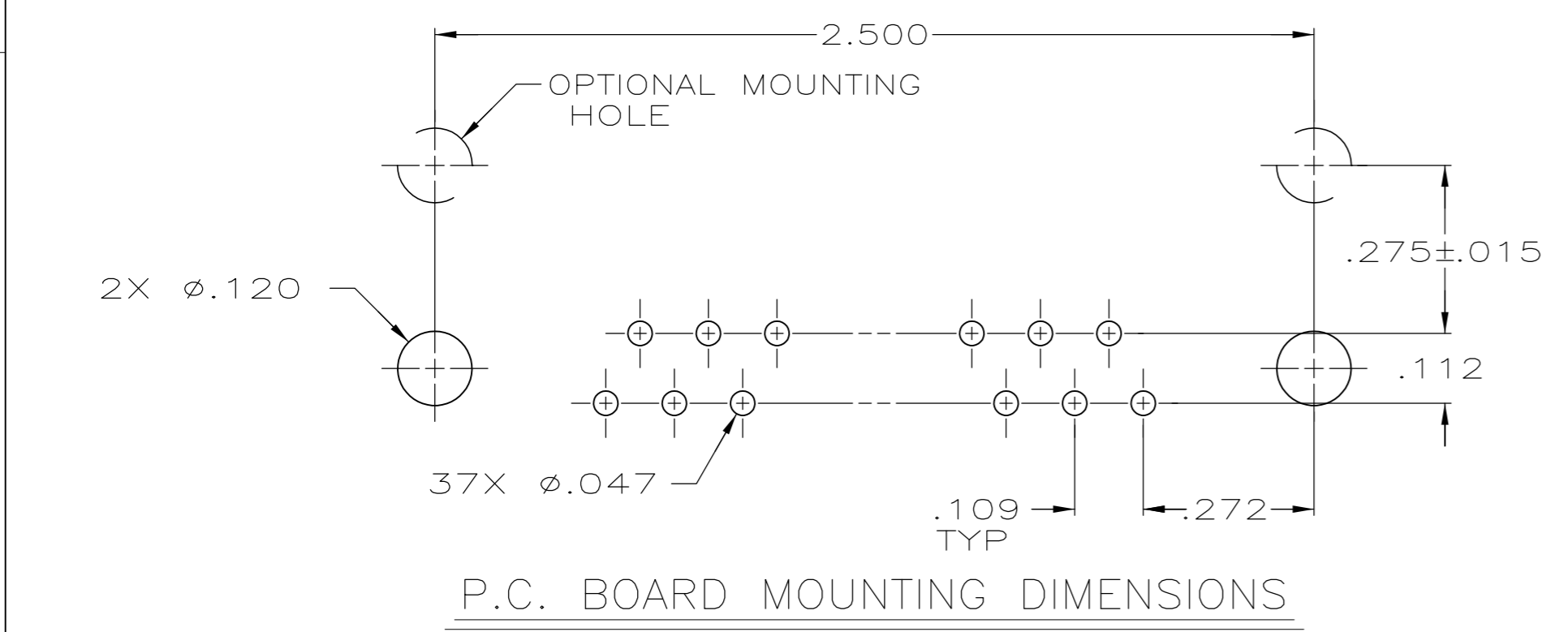
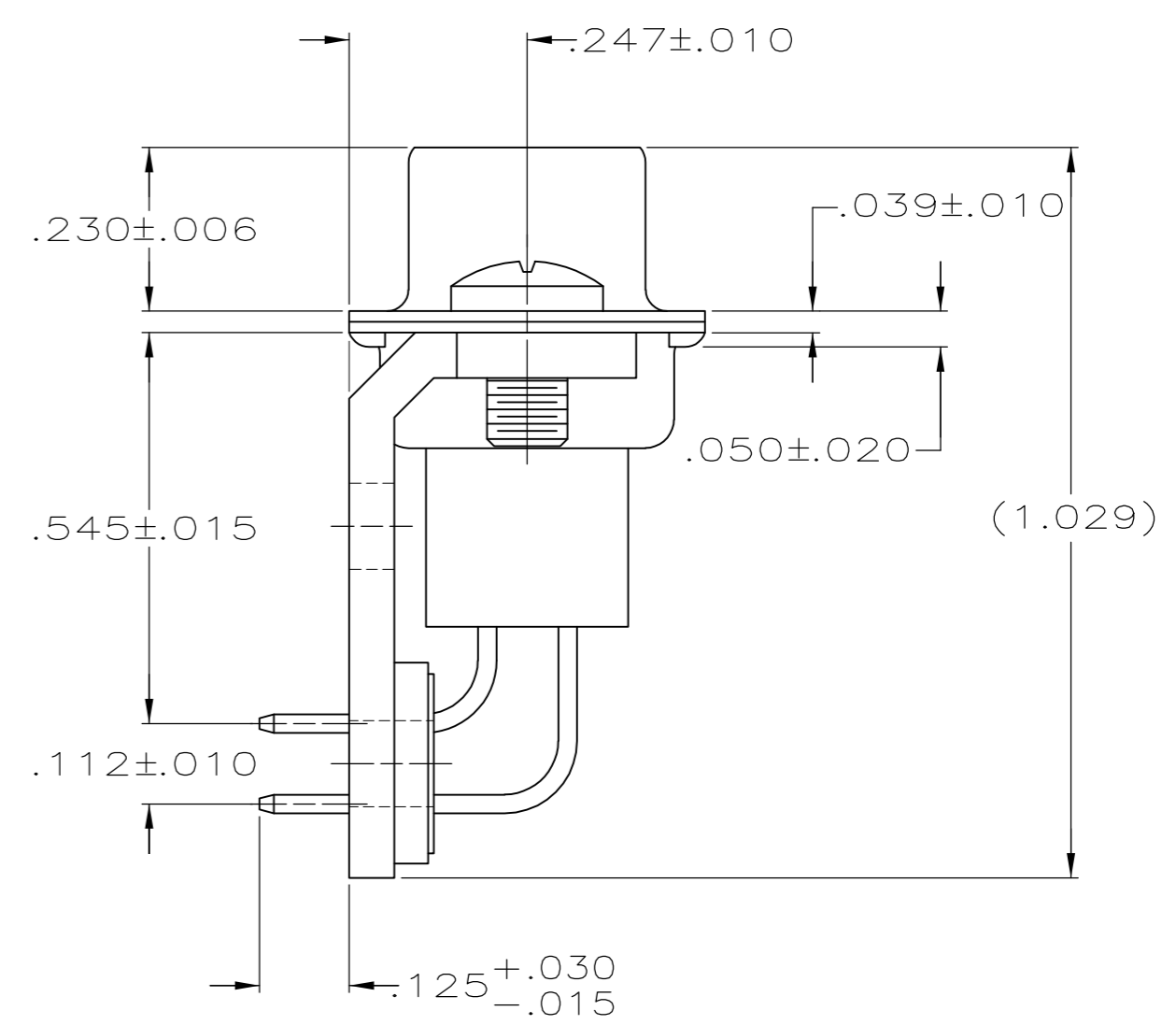
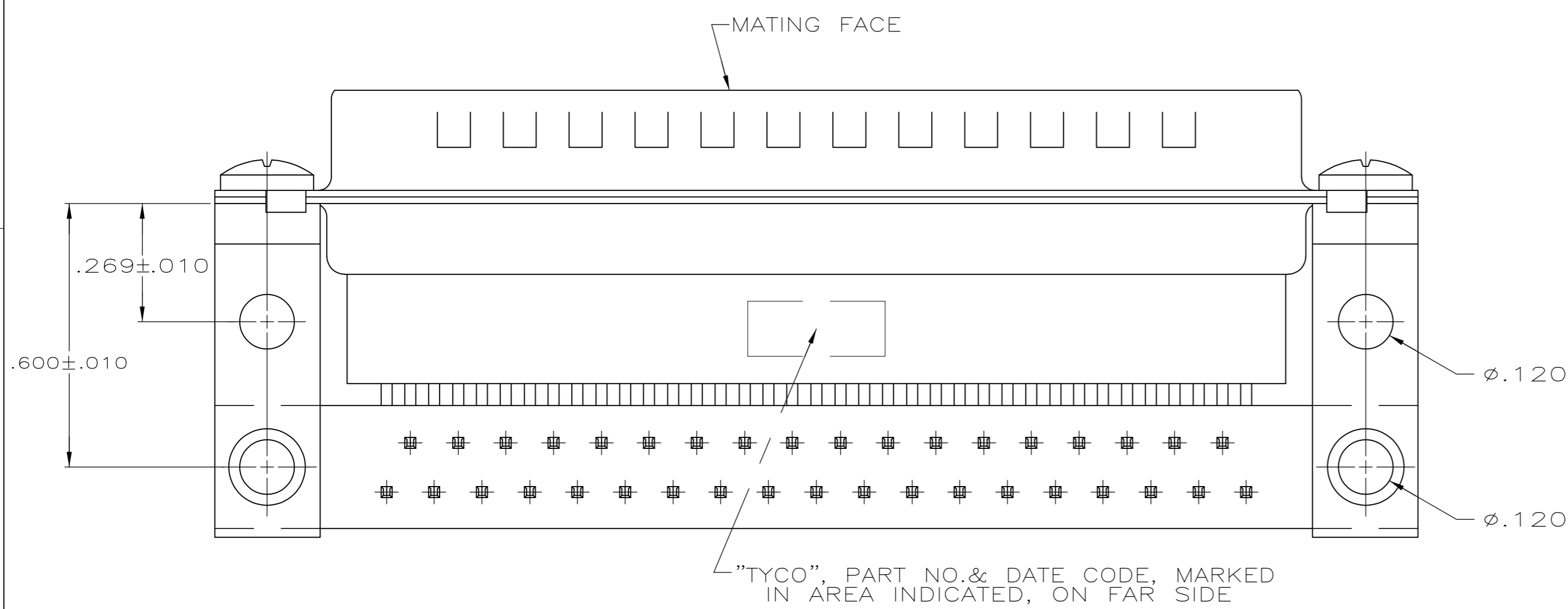


THIS DRAWING IS UNPUBLISHED. RELEASED FOR PUBLICATION
 © COPYRIGHT 2005 SB ALL RIGHTS RESERVED.

| LOC | | DIST | | REVISIONS | | | |
|-----|-----|-------------|--|---------------------------|-----------|------|----|
| P | LTR | DESCRIPTION | | DATE | DWN | APVD | |
| GP | 00 | B | | REVISED PER ECO-14-011808 | 11AUG2014 | AP | SB |



- ⚠ MOLDED PARTS: GLASS-FILLED PBT OR GLASS-FILLED NYLON, UL94V-0 RATED. COLOR: BLACK.
SHELLS & BRACKETS: CARBON STEEL.
CONTACTS: BRASS
- ⚠ SHELLS: .000200 MIN TIN OVER .000100 MIN COPPER.
BRACKETS: .000200 MIN TIN OVER .000050 MIN COPPER.
CONTACTS: GOLD PLATING FOR A LENGTH OF .150 MIN FROM MATING END, .000030 MIN GOLD IN MATED AREA, .000100 MIN TIN ON OPPOSITE END, BOTH OVER .000050 MIN NICKEL.
-OR-
GOLD FLASH OVER PALLADIUM NICKEL PLATED FOR A LENGTH OF .150 MIN FROM MATING END, .000030 MIN PALLADIUM NICKEL IN MATED AREA, .000100 MIN TIN ON OPPOSITE END, BOTH OVER .000050 MIN NICKEL.



5745354-4
 PART NUMBER

| | | | | | | | | |
|---|--|------------------|-------------|-----------|--|-----------------|------------|---------------|
| THIS DRAWING IS A CONTROLLED DOCUMENT. | | DWN | D. HENNY | 8-24-05 | | TE Connectivity | | |
| DIMENSIONS: INCHES | | CHK | S. BOLASH | 8-24-05 | | NAME | | |
| TOLERANCES UNLESS OTHERWISE SPECIFIED: | | APVD | M. WALMSLEY | 8-24-05 | | PRODUCT SPEC | | |
| 0 PLC ± - 1 PLC ± - 2 PLC ± - 3 PLC ± .005 4 PLC ± - ANGLES ± 2° FINISH | | APPLICATION SPEC | | 108-40025 | | | | |
| MATERIAL | | WEIGHT | | SIZE | | CAGE CODE | DRAWING NO | RESTRICTED TO |
| ⚠ | | - | | A2 | | 00779 | C=5745354 | - |
| ⚠ | | CUSTOMER DRAWING | | SCALE | | SHEET | | REV |
| | | | | 4:1 | | 1 of 1 | | B |