

PART NAME: KNOB

SCALE: 1:1

DATE: 5/18/95

DR. BY HD



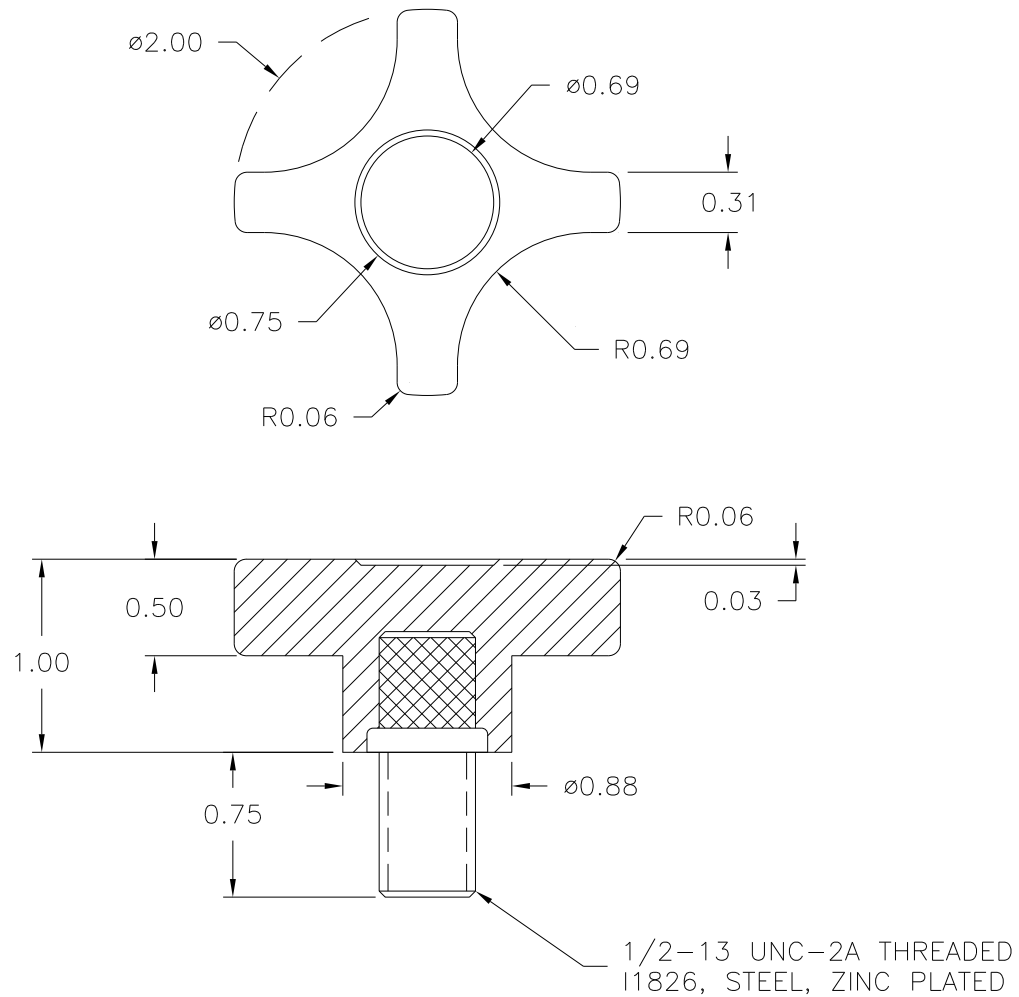
DESIGNERS & MANUFACTURERS OF KNOBS, HANDLES, CASES & CUSTOM PLASTIC COMPONENTS

THIS DRAWING IS THE PROPERTY OF DAVIES MOLDING COMPANY, IS SUBMITTED SOLELY AS A DESIGN OR ENGINEERING PROJECT. WE ACCEPT NO RESPONSIBILITY WHATSOEVER FOR THE PRACTICAL APPLICATION OF THE PIECES MADE TO THIS DESIGN.

P/N 2830CG

M<sup>NO.</sup> 2890-2830

CAVITY	2830
PLUNGER	2830
PLUNGER PIN	2830
PINS	3000-J
LANDING BAR	.472
PIN PLATE SHIM	.498
SHIM	.018
INSERT	I1826



(A)

MATERIAL: G.P. PHENOLIC (B11)  
COLOR: BLACK

TOLERANCES: UNLESS OTHERWISE SPECIFIED	DO NOT SCALE DRAWING			
DECIMALS: X.XXX $\pm$ .005 X.XX $\pm$ .015	MM: X.XX $\pm$ 0.15MM X.X $\pm$ 0.4MM	A	SHIM WAS .078	ST 5/14/01
FRACTIONS $\pm$ 1/64	ANG. $\pm$ 1°	-	REDRAWN	TL 11/19/99
CHANGES				