

# Thermofit<sup>®</sup> Molded Parts Specification Control Drawing

Part Number : 202C221 thru 305  
Description : Adapter, Split-Type  
Convolex Tubing

## NOTES

- All dimensions are in  $\frac{\text{Inches}}$   
[Millimeters]
  - Dimensions appearing in table are as follows:  
a - As Supplied
- (SEE REVERSE SIDE FOR ADDITIONAL NOTES)

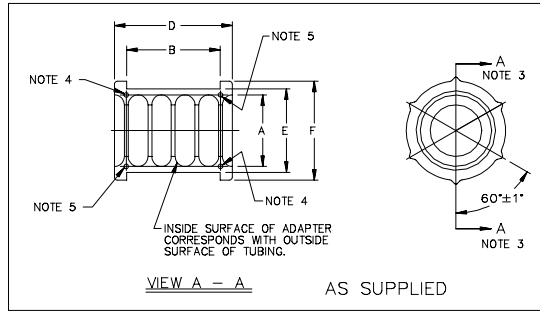


TABLE OF DIMENSIONS

PART NUMBER	FIT CONVOLEX TUBING SIZE	A	B	D	E	F
		$\pm .02$ [ $\pm 0,51$ ] a		$\pm .03$ [ $\pm 0,76$ ] a	$\pm .02$ [ $\pm 0,51$ ] a	MAX
202C221	9/32	.41 [10,4]	.52±.01 [13,2±0,25]	.66 [16,8]	.51 [13,0]	.65 [16,5]
202C231	3/8	.51 [13,0]	.52±.01 [13,2±0,25]	.66 [16,8]	.63 [16,0]	.78 [19,8]
202C241	7/16	.59 [15,0]	.52±.01 [13,2±0,25]	.76 [19,3]	.69 [17,5]	.84 [21,3]
202C251	1/2	.65 [16,5]	.52±.01 [13,2±0,25]	.76 [19,3]	.76 [19,3]	.91 [23,1]
202C261	5/8	.78 [19,8]	.52±.01 [13,2±0,25]	.76 [19,3]	.87 [22,1]	1.02 [25,9]
202C272	3/4	.92 [23,4]	.52±.01 [13,2±0,25]	.76 [19,3]	1.06 [26,9]	1.21 [30,7]
202C282	7/8	1.07 [27,2]	.52±.01 [13,2±0,25]	.76 [19,3]	1.19 [30,2]	1.34 [34,0]
202C292	1	1.19 [30,2]	.52±.01 [13,2±0,25]	.76 [19,3]	1.31 [33,3]	1.46 [37,1]
202C302	1-1/4	1.43 [36,3]	.52±.01 [13,2±0,25]	.76 [19,3]	1.56 [39,6]	1.71 [43,4]
202C305	1-5/8	1.72 [43,7]	.52±.02 [13,2±0,51]	.76 [19,3]	1.97 [50,0]	2.12 [53,8]

**Raychem**

RAYCHEM CORPORATION  
300 CONSTITUTION DRIVE  
MENLO PARK, CALIFORNIA 94025

Revision : J  
Date : 6/14/90

Part Number : 202C221 thru 305  
Description : Adapter, Split-Type  
Convolex Tubing

# Thermofit<sup>®</sup> Molded Parts Specification Control Drawing

Part Number : 202C221 thru 305  
Description : Adapter, Split-Type  
Convolex Tubing

## COMPATABILITY CHART

MATERIAL DASH NO.	MATERIAL DESCRIPTION	RT SPEC	COATING SLASH NO.	COATING S NO.	COATING DESCRIPTION
-13	Nylon, Glass Filled				

## ORDERING INFORMATION

Base part number 202CXXX -X -XX

Material dash number \_\_\_\_\_  
(See Compatibility Chart)

Modification number \_\_\_\_\_  
(If necessary, see front of scd binder for a complete list)

## NOTES

- Adapters consist of two mating halves.
- Mating holes for dowel pins.
- Dowel Pins.
- Dimension sized to accommodate standard AN 742 or MS 21919 cable clamp so adapter may be used as clamp body.

THIS DRAWING IS SUBJECT TO CHANGE WITHOUT NOTICE; CONSULT YOUR NEAREST FIELD REPRESENTATIVE FOR CURRENT REVISION

**Raychem**

RAYCHEM CORPORATION  
300 CONSTITUTION DRIVE  
MENLO PARK, CALIFORNIA 94025

Revision : J  
Date : 6/14/90

Part Number : 202C221 thru 305  
Description : Adapter, Split-Type  
Convolex Tubing