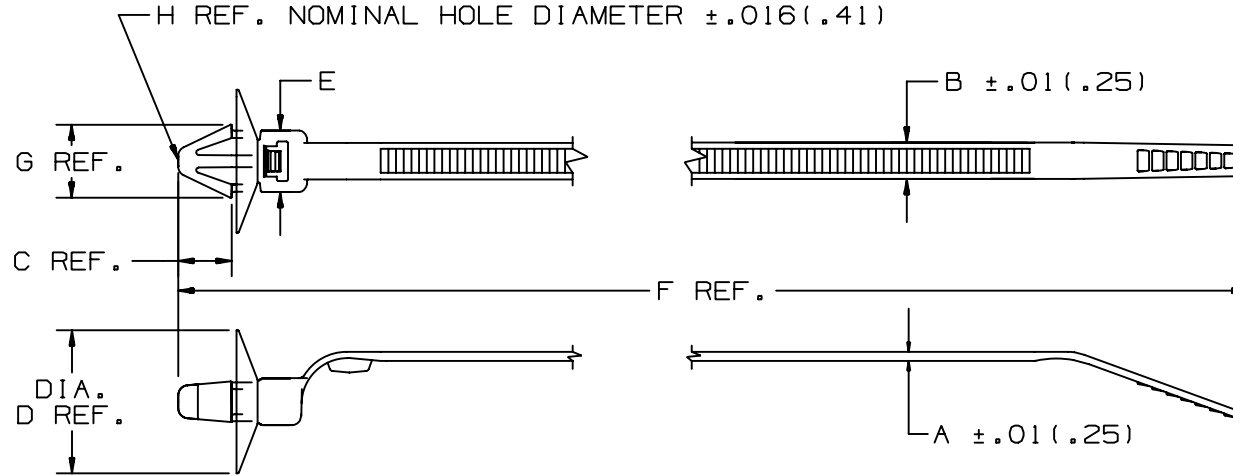


THIS COPY IS PROVIDED ON A RESTRICTED BASIS AND IS NOT TO BE USED IN ANY WAY DETRIMENTAL TO THE INTERESTS OF PANDUIT CORP.



PANDUIT PART NO.	BUNDLE DIA.		A	B	C	D	E	F	G	H	MAX. PANEL THICKNESS	MIN. LOOP TENSILE	CROSS-SECTION	WEIGHT
	MIN. in (mm)	MAX. in (mm)												
PLUP40SE	.06 (1.5)	1.57 (40)	.047 (1.2)	.190 (4.8)	.295 (7.5)	.744 (18.9)	.320 (8.1)	6.97 (177)	.378 (9.6)	.266 (6.8)	.050 (1.3)	50 (222)	STANDARD	.31 (141)

DIMENSIONS IN PARENTHESES ARE IN METRIC UNITS

PANDUIT CORP. TINLEY PARK, ILLINOIS

PLUP40SE
UMBRELLA WINGED PUSH MOUNT CABLE TIE

UNLESS OTHERWISE SPECIFIED,
DIMENSIONAL TOLERANCES ARE:
(.X) ±.1(.25) (.XXX) ±.020(.51)
(.XX) ±.02(.5) ANGLES ± ---

UNLESS OTHERWISE SPECIFIED,
ALL DIMENSIONS ARE GIVEN
IN INCHES, THIRD ANGLE PROJECTION.

8	11/24/04	ERW		CHANGED MIN. LOOP TENSILE TO 50 (222).	27067	8					DRAWN BY BSH	MAT'L: NYLON 6.6	SCALE NONE	
7	11/1/04	JABO	JVL	CHANGED FORMAT FOR CONSISTENCY SEE ECN FOR DETAILS	27067	7	JVL				DATE 11/13/96			DRAWING NO. SS-27067
REV	DATE	BY	CHK	DESCRIPTION	ECN	R	CUST	SUP			CHK'D JML			