

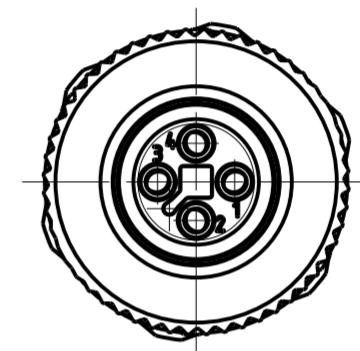
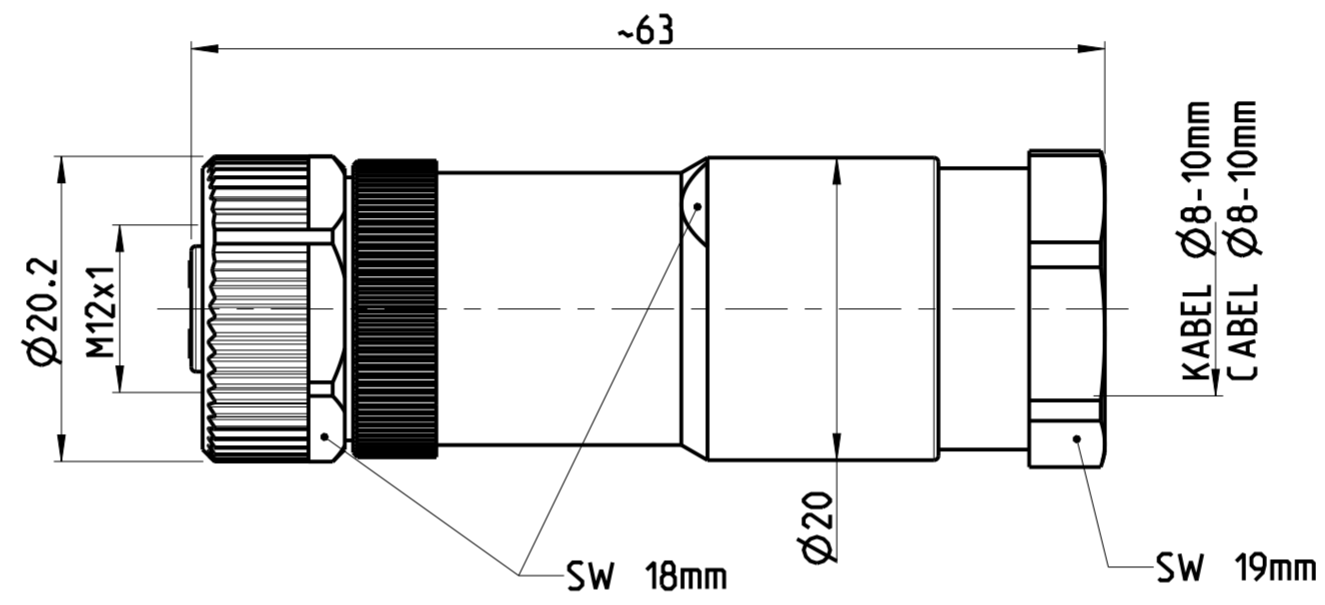
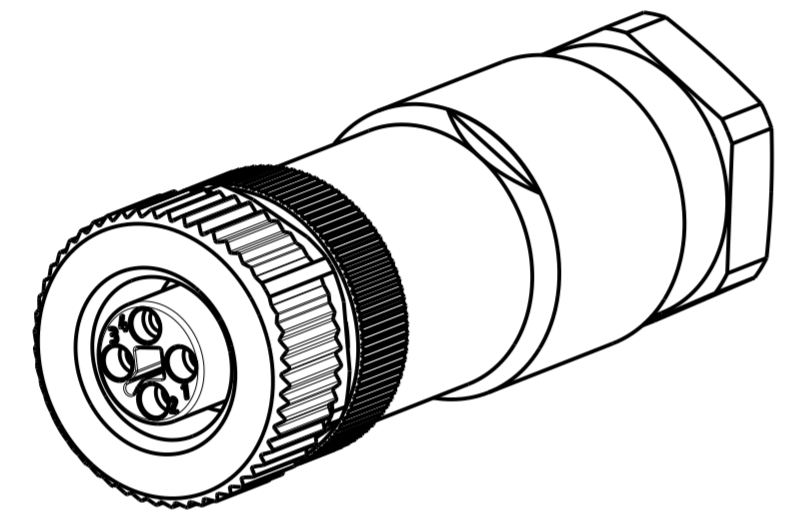
THIS DRAWING IS UNPUBLISHED. VERTRÄGLICHE UNVERÖFFENTLICHTE ZEICHNUNG. RELEASED FOR PUBLICATION FREI FÜR VERÖFFENTLICHUNG. 2014. DATED WITH PASSEND ZU. COPYRIGHT 2014. Tyco Electronics AMP GmbH. ALL RIGHTS RESERVED. ALLE RECHTE VORBEHALTEN.

PROJECT NO.: PRJ-14-00000805

REVISIONS		DATE	DWN	APVD
ÄNDERUNGEN				
P	LTR	DESCRIPTION		
		BESCHREIBUNG		
A1		NEW DRAWING	24 JUN2014	YR CS

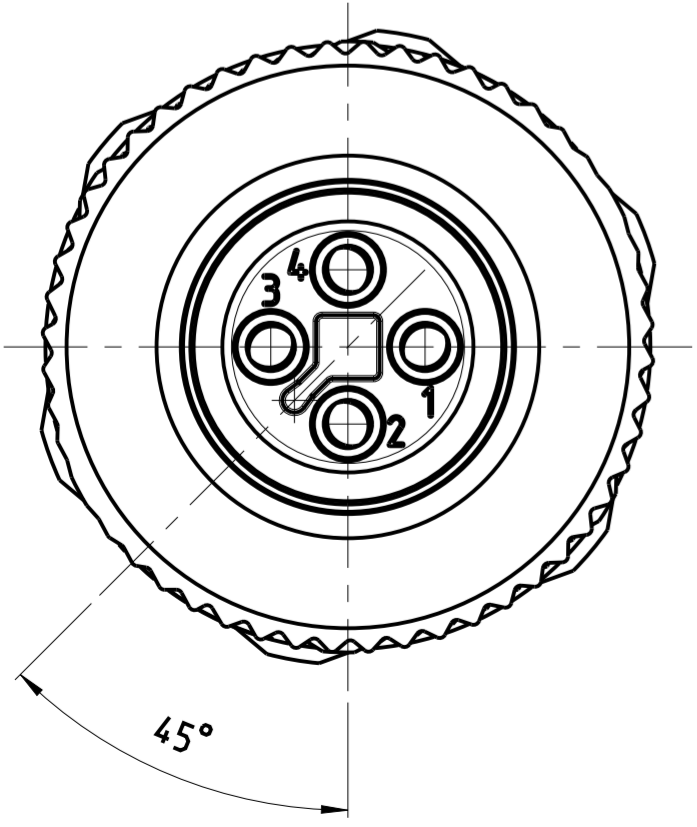
1 MATERIAL: ITEM NO. 1: HOUSING - PA
 ITEM NO. 2: CONTACT BODY - PA
 ITEM NO. 3: CONTACT - CuZn (brass)
 CONTACT FINISH - Au (gold)

- 2 ALL DIMENSIONS ARE FOR NOMINAL REFERENCE ONLY UNLESS OTHERWISE STATED
- 3 MEASUREMENT REFERENCE ONLY
- 4 PACKAGING: 1 PIECE IN A BAG



PIN ARRANGEMENT
T-CODING (SCALE 4:1)

0-2120948-1



TECHNICAL DATA		0-2120948-1
RATED VOLTAGE		60V
RATED IMPULSE VOLTAGE		1500V
POLLUTION DEGREE		3
OVERVOLTAGE CATEGORY		III
MATERIAL GROUP		III
RATED CURRENT		12A
VOLUME RESISTIVITY		≤ 3mΩ
DEGREE OF PROTECTION		IP67
UPPER TEMPERATURE		+85 °C
LOWER TEMPERATURE		-40 °C

8-10	16 / 1.50	⚠	4	0-2120948-1
CABLE FEED-THROUGH mm	WIRES AWG / mm²	MATERIAL	NUMBER OF POLES	TE-PART-NO.

DIESE ZEICHNUNG IST EIN KONTROLLIERTES DOKUMENT. BEMASSUNGEN UND TOLERANZEN GEMAESS GPS (ISO STANDARDS).

THIS DRAWING IS A CONTROLLED DOCUMENT. DIMENSIONING AND TOLERANCING PER GPS (ISO STANDARDS).

DIMENSIONS: MASSSTÄB: 1:1	TOLERANCES UNLESS OTHERWISE SPECIFIED: ALLGEMEINTOLERANZEN	DWN YASHKUMAR 24 JUN2014
		CHK M.STRELOW 24 JUN2014
		APVD C.SCHREITLINGER 24 JUN2014
		NAME
MATERIAL	ANGLES/WINKEL	PRODUCT SPEC
	FINISH/OBERFLÄCHE/FARBE	APPLICATION SPEC
		VERARBEITUNGSSPEZ.
		WEIGHT
		GEWICHT
		Customer Drawing

STE TE Connectivity

M12 RECEPTACLE CONNECTOR, STRAIGHT, FIELD INSTALLABLE, POWER, T-CODED

SIZE	CAGE CODE	DRAWING NO. ZEICHNUNGS-NR.	RESTRICTED TO MUR FUER
A2	00779	0-2120948	-
SCALE MASSSTAB		SHEET BLATT	OF VON
2:1		1	1
REV		A1	

SIZE ISO 14405 (E)