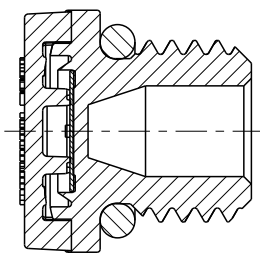
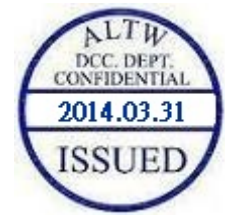
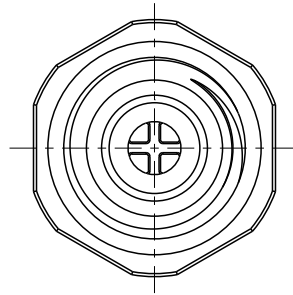
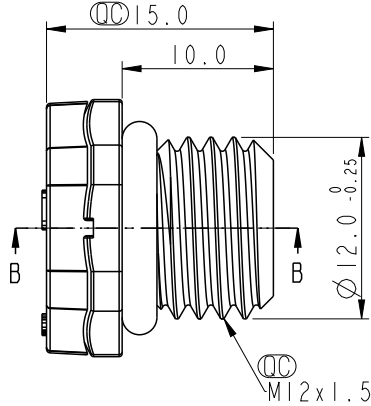
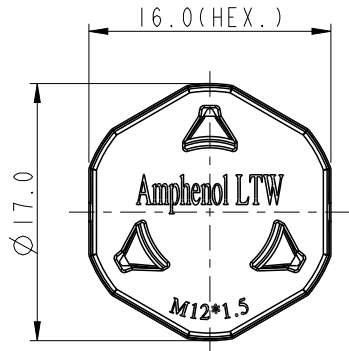
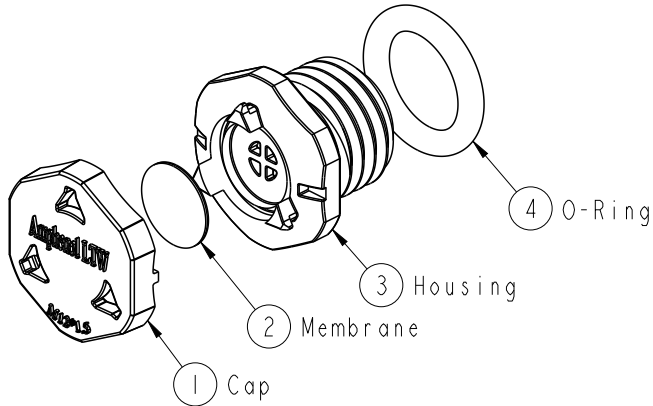
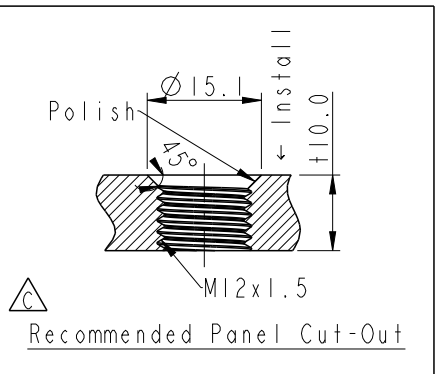
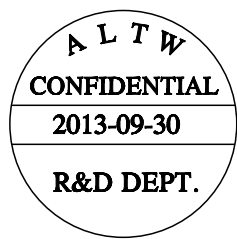


REV.	ECN NO.	DATE	SIGN	DESCRIPTION
B	LE313A0423	2013-09-30	Kelly	Change Note
C	LEN1430213	2014-03-12	Kelly	Add Recommended Panel Cut-Out



截面 B-B



- Note:**
- * \varnothing Important Dimension.
 - * Waterproof Rate: IP68, IP69K
 - * Cap: M-PPE, UV Resistance, Black
 - * Membrane: PTFE
 - * Conn. Housing: M-PPE, UV Resistance, Black
 - * O-Ring: Silicone, UL94-V0, Dark Gray.
 - * Nut Torque Force: 8.0~9.0 Kgf/cm
 - * Air Permeability: >260ml/min @70mbar
 - * Water Entry Pressure: >60KPa

UNIT:mm TOLERANCE .X ±0.25 .XX ±0.1 .XXX ±0.05 ANGLES ±1°		TITLE M12*1.5 Vent			Amphenol LTW 安費諾亮泰企業股份有限公司	ITEM NO VENT-BJ001	DRAWN BY Kelly-gaotong	DATE 2013-09-30
		SCALE 2:1	SIZE A4	SHEET 1		OF 1	DWG NO VENT-BJ001	CHECKED BY Tony
REV. C		WC-REV. B.2	\varnothing : Inspection item		CUSTOMER ALTW	APPROVED BY Victor	DATE 2013-09-30	

THIS DOCUMENT IS SUBJECT TO CHANGE WITHOUT NOTICE. IT IS CONFIDENTIAL AND A PROPERTY OF Amphenol LTW. DISCLOSURE TO THIRD PARTY HAS TO BE AUTHORIZED BY Amphenol LTW.