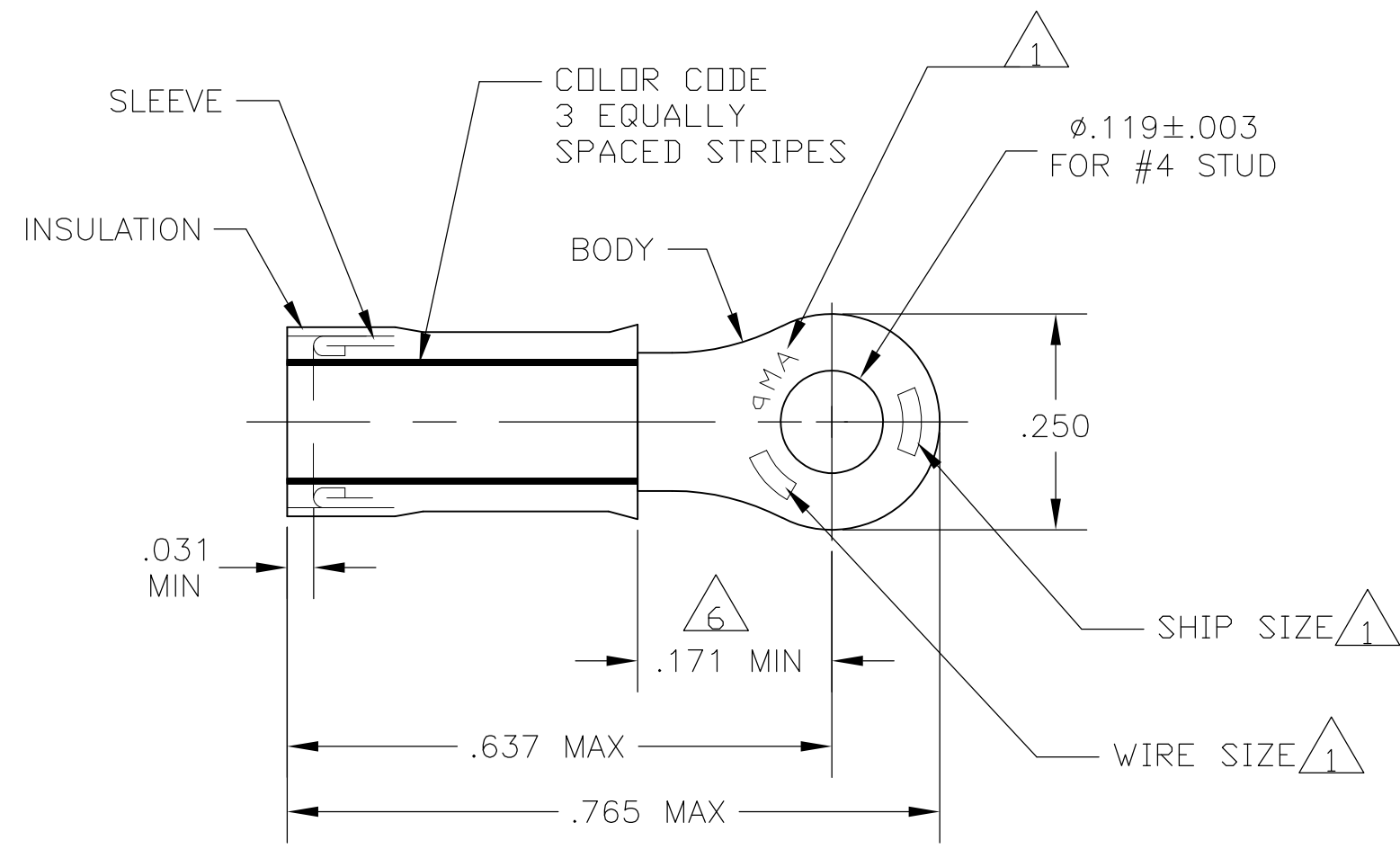


THIS DRAWING IS UNPUBLISHED. RELEASED FOR PUBLICATION
 © COPYRIGHT - BY TYCO ELECTRONICS CORPORATION. ALL RIGHTS RESERVED.

LOC	DIST	REVISIONS					
G	14	P	LTR	DESCRIPTION	DATE	DWN	APVD
			G2	REV PER ECR 10-000692	13JAN10	JR	TM

AMP WIRE RANGE	E13288 Listed	LR7189 Certified
16-14 AWG SOLID OR STRANDED	16-14 AWG SOLID OR STRANDED	16-14 AWG SOLID OR STRANDED



- 1 STAMP "AMP []", SEE TABLE APPROX AS SHOWN
- 2 WIRE INSULATION DIA: SEE TABLE
- 3 TONGUE MATERIAL THK: .031±.002
- 4 BODY & SLEEVE: CU PER ASTM B152
BODY & SLEEVE: TIN PLATE .000100 MIN
EXT THK PER ASTM B545
INSULATION: NYLON PER ASTM D4066,
COLOR-BLUE
- 5 APPLIES FROM EDGE OF METAL WIRE BARREL
TO CENTER OF STUD HOLE.
- 6 MEETS M7928/1-38, CLASS 1 & 2
- 7 MEETS M7928/1-47, CLASS 1 & 2

52274-1		52274-3	14	GREEN	.078-.130	14	4
52274		52274-2	16	BLUE	.063-.130	16	2 1/2
PART NO		PART NO. ON TAPE	WIRE SIZE	COLOR CODE	INSULATION DIA	WIRE SHIP SIZE STAMPING	

OBSOLETE	2500	52274-1 ON TAPE, REELED		52274-3
OBSOLETE	2500	52274 ON TAPE, REELED		52274-2
	500	LOOSE PIECE		52274-1
	500	LOOSE PIECE		52274
QTY		PACKAGE TYPE	MATERIAL FINISH	PART NO

CUSTOMER SERVICE SYSTEMS

MAX RECOMMENDED OPERATING TEMPERATURE: 170°C MAX

VOLTAGE RATING: 300 V MAX

CIRCULAR MIL AREA: 1.04-2.62mm² [2,050-5,180] STRANDED OR SOLID

FOR ADDITIONAL PRODUCT INFORMATION OR COPIES OF DRAWINGS AND TECHNICAL DOCUMENTS: PRODUCT INFORMATION CENTER 1-800-522-6752

FOR APPLICATION TOOLING INFORMATION: TOOLING ASSISTANCE CENTER 1-800-722-1111

FOR ORDER ENTRY: 1-800-526-5142

THIS DRAWING IS A CONTROLLED DOCUMENT FOR AMP INCORPORATED. IT IS SUBJECT TO CHANGE AND THE CONTROLLING ENGINEERING ORGANIZATION SHOULD BE CONTACTED FOR THE LATEST REVISION.

THIS DRAWING IS A CONTROLLED DOCUMENT.

DIMENSIONS: INCHES

TOLERANCES UNLESS OTHERWISE SPECIFIED:

0 PLC	± -
1 PLC	± -
2 PLC	± -
3 PLC	± .008
4 PLC	± -
ANGLES	± -

MATERIAL: SEE TABLE

FINISH: SEE TABLE

DWN: JR RUTH 13JAN10

CHK: T MICHIELUTTI 13JAN10

APVD: T MICHIELUTTI 13JAN10

PRODUCT SPEC: -

APPLICATION SPEC: -

WEIGHT: -

Tyco Electronics Tyco Electronics Corporation Harrisburg, Pa 17105-3608

NAME: TERMINAL, RING TONGUE, PIDG, INSULATION RESTRICTING, WIRE SIZE: 16-14 AWG

SIZE: A3 CAGE CODE: 00779 DRAWING NO: C-52274 RESTRICTED TO: -

CUSTOMER DRAWING SCALE: 5:1 SHEET: 1 OF 1 REV: G2