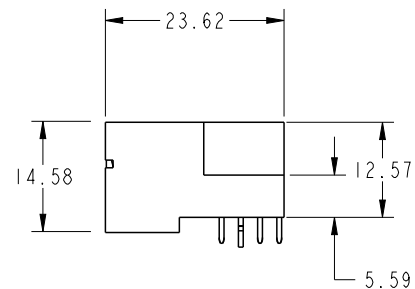
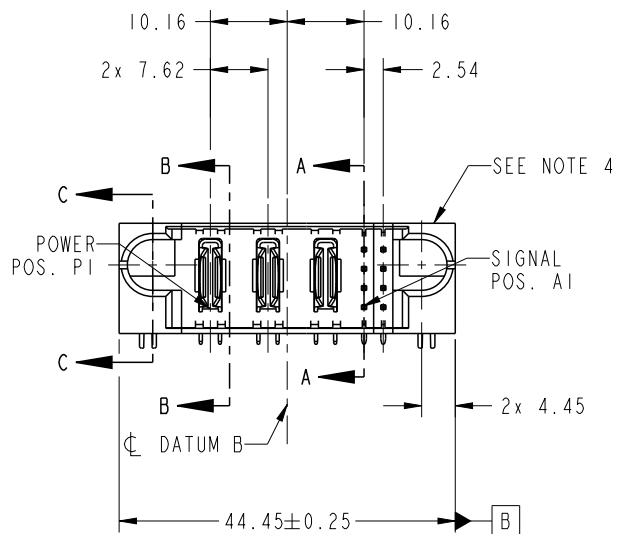


PRODUCT NO.	ROWS	POWER SIGNAL					
		E1	P1	P2	P3	1 2	E2
51939-935-- NOTE 3	DCBA						

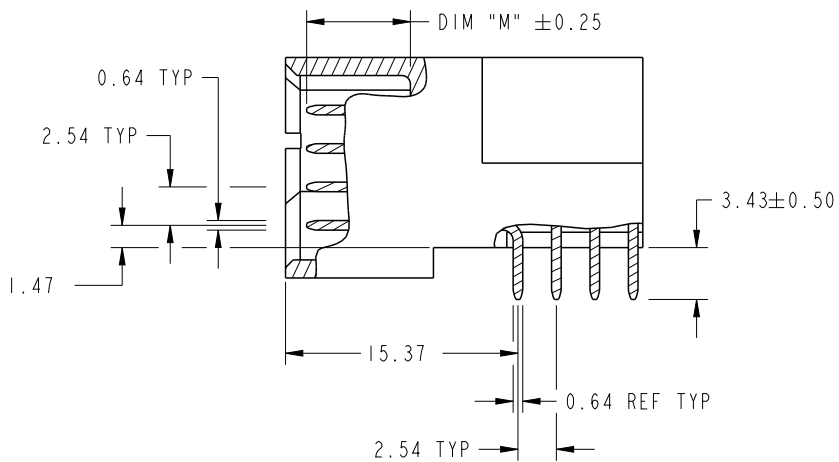


CODE	DIM "M" MATING LENGTH	CONTACT TYPE
U	[6.86]	SIGNAL
T	[6.86]	SIGNAL
S	[6.86]	SIGNAL
R	[6.86]	SIGNAL
H	[5.59]	SIGNAL
G	[5.59]	SIGNAL
F	[5.59]	SIGNAL
E	[5.59]	SIGNAL
PA	[N/A]	POWER
HA	[N/A]	HOLD-DOWN

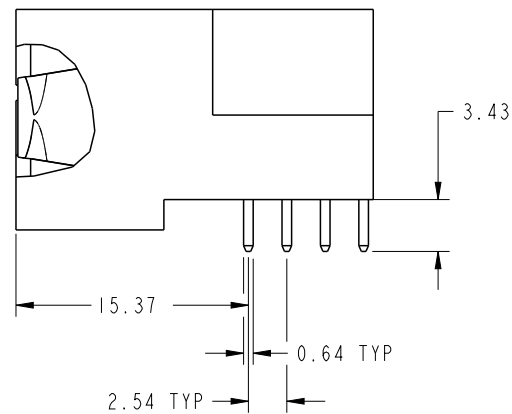
spec ref	*	dr	De-Ming Lu	2014/11/18	projection	MM	size	A4	scale	1:1
tolerance std	ASME Y14.5	eng	De-Ming Lu	2014/11/25		←→	ecn no	-	rel level	Released
TOLERANCES UNLESS OTHERWISE SPECIFIED		chr	-	-						
surface	✓	appr	Pei-Ming Zheng	2014/11/25	product family	PwrBlade	rev	51939-935	A	
ASME Y14.5	linear	0.X	±0.5		title	3ACP + 8S	cat. no.	-	Product - Customer Drw	sheet 1 of 4
		0.XX	±0.25							
		0.XXX	±0.1							
	angular	0°	±2°	www.fci.com						

PRODUCT NUMBER

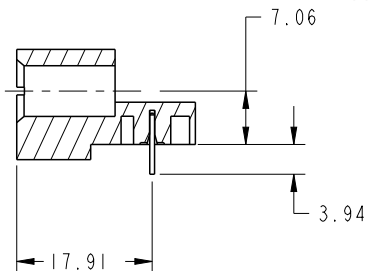
51939-935--  
NOTE: 3



BROKEN-OUT SECTION A-A  
SCALE 2:1



BROKEN-OUT SECTION B-B  
SCALE 2:1

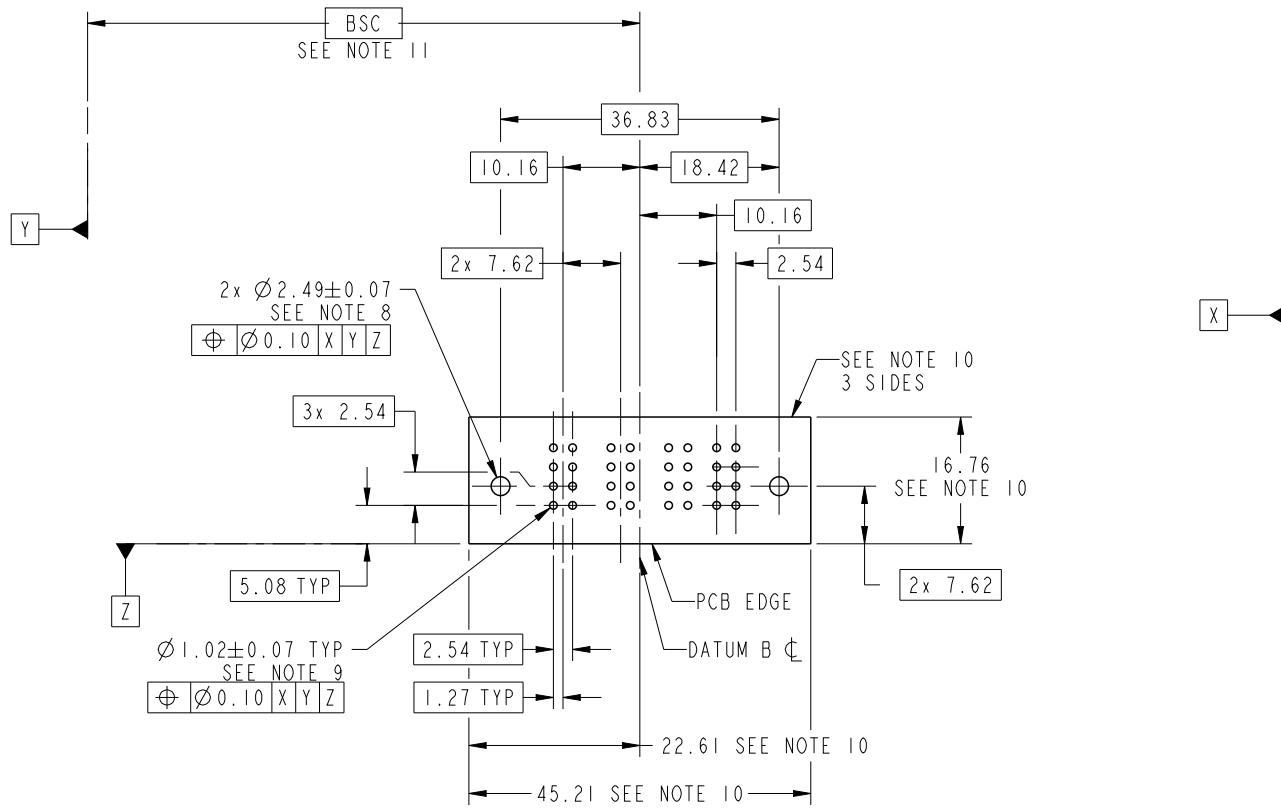


SECTION C-C

dr	De-Ming Lu	2014/11/18	projection 	MM 	size	A4	scale	1:1
eng	De-Ming Lu	2014/11/25			ecn no	-		
chr	-	-			rel level	Released		
appr	Pei-Ming Zheng	2014/11/25	product family	PwrBlade	rev	A		
		title 3ACP + 8S RIGHT ANGLE SOLDER HEADER	dwg no 51939-935	cat. no. -	Product - Customer Drw	sheet 2 of 4		

PRODUCT NUMBER

51939-935\_  
NOTE: 3



RECOMMENDED PCB LAYOUT

dr	De-Ming Lu	2014/11/18	projection 	MM 	size	A4	scale	1:1			
eng	De-Ming Lu	2014/11/25			ecn no	-					
chr	-	-			rel level	Released					
appr	Pei-Ming Zheng	2014/11/25	product family	PwrBlade							
		title			3ACP + 8S		dwg no		51939-935	rev	A
www.fci.com		cat. no.			-		Product - Customer Drw		sheet 3 of 4		

PRODUCT NUMBER  
51939-935\_\_  
NOTE: 3

NOTES:

1. DIMENSIONS AND TOLERANCES ARE IN ACCORDANCE WITH ASME Y14.5M, 1994 UNLESS OTHERWISE SPECIFIED.

CONNECTOR NOTES:

- 2. HOUSING MATERIAL: UL 94 V-0 GLASS FILLED HIGH-TEMP THERMOPLASTIC  
POWER CONTACT MATERIAL: COPPER ALLOY  
SIGNAL PIN MATERIAL: COPPER ALLOY
- 3. SEE ITEM 1 & 2 IN PRINT 10064183 FOR PLATING SPEC OF 51939-935 AND 51939-935LF RESPECTIVELY.
- 4. MANUFACTURER'S NAME, DATE CODE AND OPTIONAL P/N TO APPEAR ON THIS SURFACE. THE MARK CAN BE OMITTED IF THERE IS NOT ENOUGH SPACE ON THIS SURFACE.
- 5. PRODUCT SPECIFICATION GS-12-149.  
APPLICATION SPECIFICATION BUS-20-067.
- 6. PACKAGED IN TRAYS.

PCB NOTES:

- 7. ALL HOLE DIAMETERS ARE FINISHED HOLE SIZE.
- 8. MOUNTING HOLES, WHERE APPLICABLE, ARE UNPLATED.
- 9.  $\varnothing 1.151 \pm 0.025$  DRILLED HOLES PLATED WITH  
0.008 MIN SnPb OR Sn OVER 0.03  
TO 0.08 Cu PLATING TO ACHIEVE  
 $\varnothing 1.02 \pm 0.07$  HOLE.
- 10. CONNECTOR KEEP-OUT ZONE.
- 11. DATUM AND BASIC DIMENSIONS ARE ESTABLISHED BY CUSTOMER.



Copyright FCI.

dr	De-Ming Lu	2014/11/18	projection 	MM 	size	A4	scale	1:1			
eng	De-Ming Lu	2014/11/25			ecn no	-					
chr	-	-			product family	PwrBlade	rel level	Released			
appr	Pei-Ming Zheng	2014/11/25			title	3ACP + 8S		dwg no	51939-935	rev	A
www.fci.com		cat. no.	-	Product - Customer Drw			sheet 4 of 4				