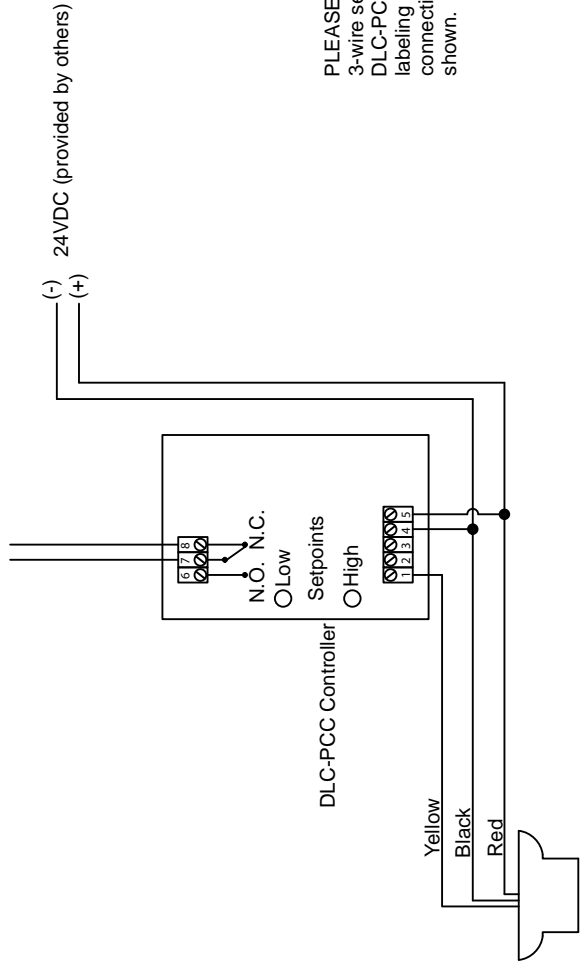


to low voltage, dry contact
inputs (provided by others)



DLC-PCC Controller

DLC-PC-x Photo Sensor
(3-wire)

PLEASE NOTE: When using
3-wire sensor, operation of
DLC-PCC is reversed from
labeling on unit. Use N.C.
connection and setpoints as
shown.

DLC-PCC to devices by others



Building Automation, Inc.