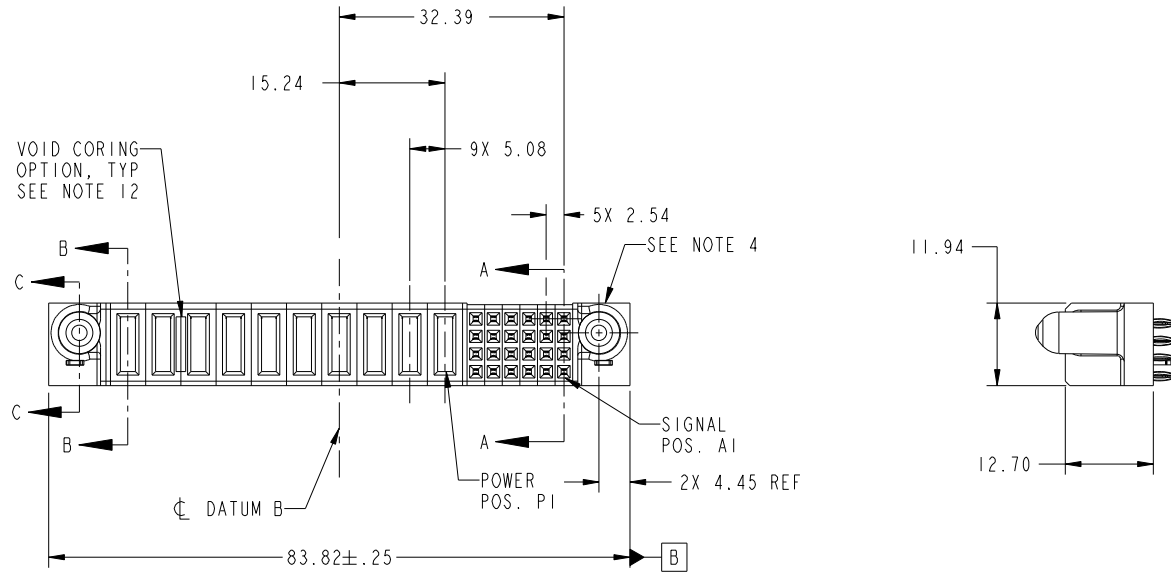


Tous droits strictement réservés. Reproduction ou communication a des tiers interdite sous quelque forme que ce soit sans autorisation écrite du propriétaire. Propriete de c FCI. Droits de reproduction FCI.



All rights strictly reserved. Reproduction or issue to third parties in any form whatever is not permitted without written authority from the proprietor. Property of FCI. Copyright FCI.

PRODUCT NO.	ROWS	POWER										SIGNAL								
		E2	P10	P9	P8	P7	P6	P5	P4	P3	P2	P1	6	5	4	3	2	1	E1	
51940-265- NOTE: 3	D C B A		PF	PF	PC	PC	PC	PC	PC	PC	PF	PF	PF	F	F	F	F	F	F	



CODE	DIM "M" MATING LENGTH	CONTACT TYPE
PF	[2.34]	POWER
F	[N/A]	SIGNAL
HA	[N/A]	HOLD-DOWN
PC	[1.07]	POWER

mat'l code				SEE NOTES		tolerances unless otherwise specified		CUSTOMER		FCI	
ltr	ecn no.	dr	date	linear	0.X ± 0.5	projection		COPY		www.fciconnect.com	
A	DG08-0259	SH	09/17/08	angles	0.XX ± 0.25	MIM		title		24S + 10P	
				dr	0.XXX ± 0.1	← MIM →		product family		PwrBlade	
				enr	0° ± 2°	scale		size		code	
				chr	Sincere He 09/17/08	1:1		dwg no		213	
				appd	Sincere He 09/17/08			51940-265		sheet	
					Gary Hsieh 09/17/08			A		1 of 4	
					Joseph Hsia 09/17/08						
sheet index	revision sheet	A	A	A	A						
		1	2	3	4						

cage code 22526

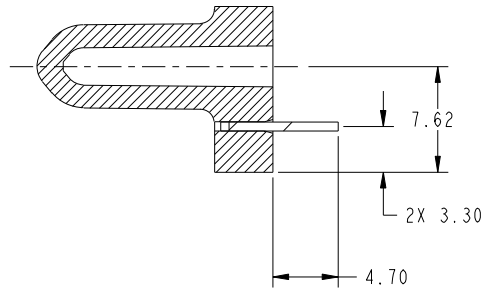
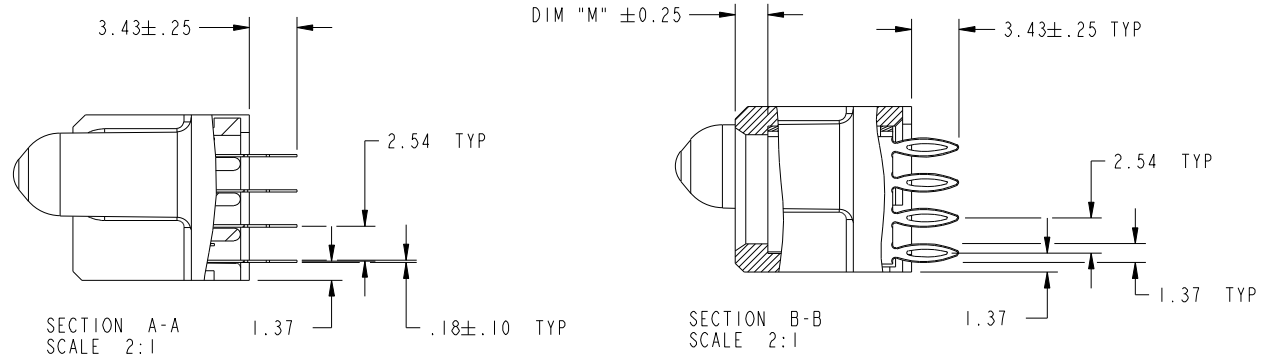
Pro/E

Tous droits strictement reserves. Reproduction ou communication a des tiers interdite sous quelque forme que ce soit sans autorisation écrite du propriétaire. Propriete de c FCI. Droits de reproduction FCI.



All rights strictly reserved. Reproduction or issue to third parties in any form whatever is not permitted without written authority from the proprietor. Property of FCI. Copyright FCI.

PRODUCT NUMBER
51940-265--
NOTE: 3



SECTION C-C
SCALE 2:1

mat'l code				tolerances unless otherwise specified		CUSTOMER		www.fciconnect.com		
ltr	ecn no.	dr	date	linear	0.X ± 0.5	COPY		title 24S + 10P VERTICAL PRESS-FIT RECEPT		
A					0.XX ± 0.25	projection				
					0.XXX ± 0.1					
				angles	0° ± 2°			product family PwrBlade code 213		
		dr	Sincere He	09/17/08	scale 1:1		size		sheet	
		enr	Sincere He	09/17/08			A		51940-265	2 of 4
		chr	Gary Hsieh	09/17/08						
		appd	Joseph Hsia	09/17/08						
sheet index		revision sheet								

cage code 22526

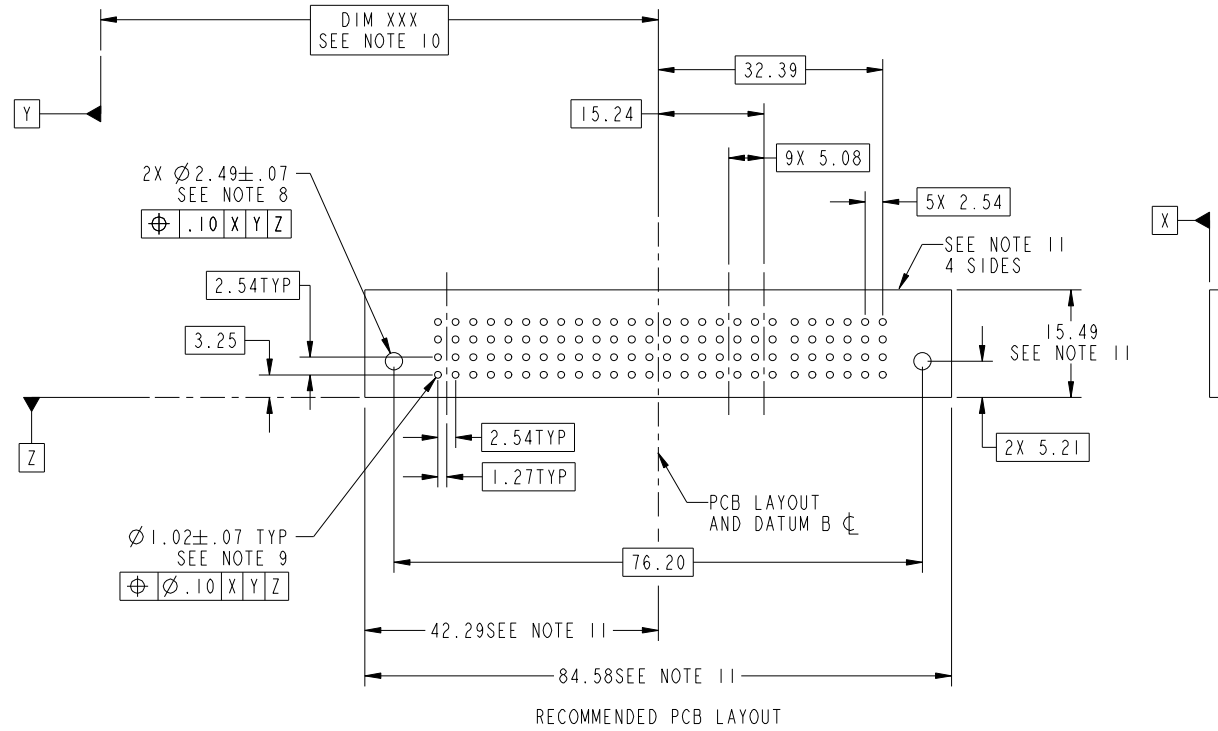
Pro/E

Tous droits strictement reserves. Reproduction ou communication a des tiers interdite sous quelque forme que ce soit sans autorisation écrite du propriétaire. Propriete de c FCI. Droits de reproduction FCI.

All rights strictly reserved. Reproduction or issue to third parties in any form whatever is not permitted without written authority from the proprietor. Property of FCI. Copyright FCI.



PRODUCT NUMBER
51940-265--
NOTE: 3



mat'l code				tolerances unless otherwise specified		CUSTOMER		FCI	
ltr	ecn no.	dr	date	linear	0.X ± 0.5	COPY		www.fciconnect.com	
A					0.XX ± 0.25	projection		title	
				angles	0.XXX ± 0.1			24S + 10P VERTICAL PRESS-FIT RECEIPT	
				dr	Sincere He 09/17/08	MIM		product family PwrBlade code	
				enr	Sincere He 09/17/08			size 213	
				chr	Gary Hsieh 09/17/08	scale		dwg no 51940-265 sheet	
				appd	Joseph Hsia 09/17/08	1:1		3 of 4	
sheet index		revision sheet							

cage code 22526

Pro/E

Tous droits strictement reserves. Reproduction ou communication a des tiers interdite sous quelque forme que ce soit sans autorisation écrite du propriétaire. Propriete de c FCI. Droits de reproduction FCI.

All rights strictly reserved. Reproduction or issue to third parties in any form whatever is not permitted without written authority from the proprietor. Property of FCI. Copyright FCI.

PRODUCT NUMBER
51940-265--
NOTE: 3

NOTES:

1. DIMENSIONS AND TOLERANCES ARE IN ACCORDANCE WITH ASME Y14.5M, 1994 UNLESS OTHERWISE SPECIFIED.

CONNECTOR NOTES:

2 HOUSING MATERIAL: UL 94 V-0 GLASS FILLED
HIGH-TEMP THERMOPLASTIC
POWER CONTACT MATERIAL: COPPER ALLOY
SIGNAL PIN MATERIAL: COPPER ALLOY

3. PLATING SPEC.
SEE ITEM 7 & 8 IN PRINT 10064183 FOR PLATING SPEC OF 51940-265 AND 51940-265LF RESPECTIVELY

4 MANUFACTURER'S NAME, P/N, AND DATE CODE TO APPEAR ON THIS SURFACE.

5. PRODUCT SPECIFICATION GS-12-149.
APPLICATION SPECIFICATION BUS-20-067.

6. PACKAGED IN TRAYS.

PCB NOTES:

7. ALL HOLE DIAMETERS ARE FINISHED HOLE SIZE.

8 MOUNTING HOLES, WHERE APPLICABLE, ARE UNPLATED.

9 $\varnothing 1.151 \pm 0.025$ DRILLED HOLES PLATED WITH
0.008 MIN SnPb OR Sn OVER 0.03
TO 0.08 Cu PLATING TO ACHIEVE
 $\varnothing 1.02 \pm .07$ HOLE.

10 "DIM XXX" TO BE DETERMINED BY THE CUSTOMER.

11 CONNECTOR KEEP-OUT ZONE.

12 THE VOID CORING IN BETWEEN POWER MODULES, SIGNAL MODLES AND END MODULES ARE OPTIONAL AND THE SHAPE MAY BE DIFFERENT FOR OPTIMIZE THE MOLDING PROCESS, THE VOID CORING WILL NO EFFECT TO PRODUCT FUNTION.

mat'l code				tolerances unless otherwise specified		CUSTOMER		FCI	
ltr	ecr no.	dr	date	linear	0.X ± 0.5	COPY		www.fciconnect.com	
A					0.XX ± 0.25	projection		title	
				angles	0.XXX ± 0.1			24S + 10P	
				dr	0° ± 2°	MIM		VERTICAL PRESS-FIT RECEPT	
				enr	Sincere He 09/17/08	product family		PwrBlade	code
				enr	Sincere He 09/17/08	size		dwg no	213
				chr	Gary Hsieh 09/17/08	scale		51940-265	sheet
				appd	Joseph Hsia 09/17/08	1:1		A	4 of 4
sheet index	revision sheet								

cage code 22526

Pro/E