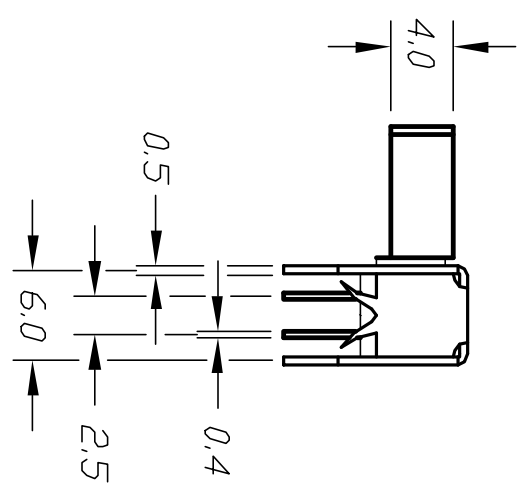
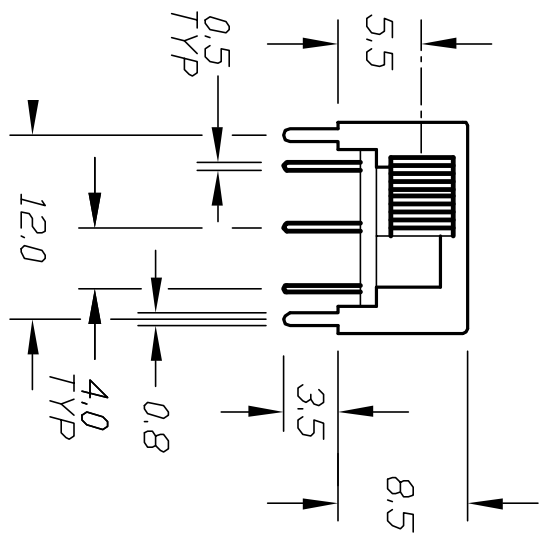


- NOTES:
1. ALL DIMENSIONS IN MM
  2. GENERAL TOLERANCE: X.X=±0.4  
X.XX=±0.25
  3. RATINGS: 15V DC, 0.5A
  4. TIMING: NON-SHORTING
  5. TRAVEL: 4.00mm
  6. OPERATING FORCE: 250±100gf
  7. TERMINAL PC BOARD



B	12648	REVISED AND REDRAWN	12/20/02	CJB
--	12648	ADD NOTES	12/20/02	CJB
REV.	ECN No.	DESCRIPTION	DATE	CHKD

TITLE		EG 2219		DR	JL	DWG	P040170	REV	B
SCALE	2:1	DATE	8/9/95						



THE INFORMATION CONTAINED IN THIS DOCUMENT IS PROPRIETARY TO E-SWITCH AND IS NOT TO BE COPIED OR TRANSFERRED