

LOC DW

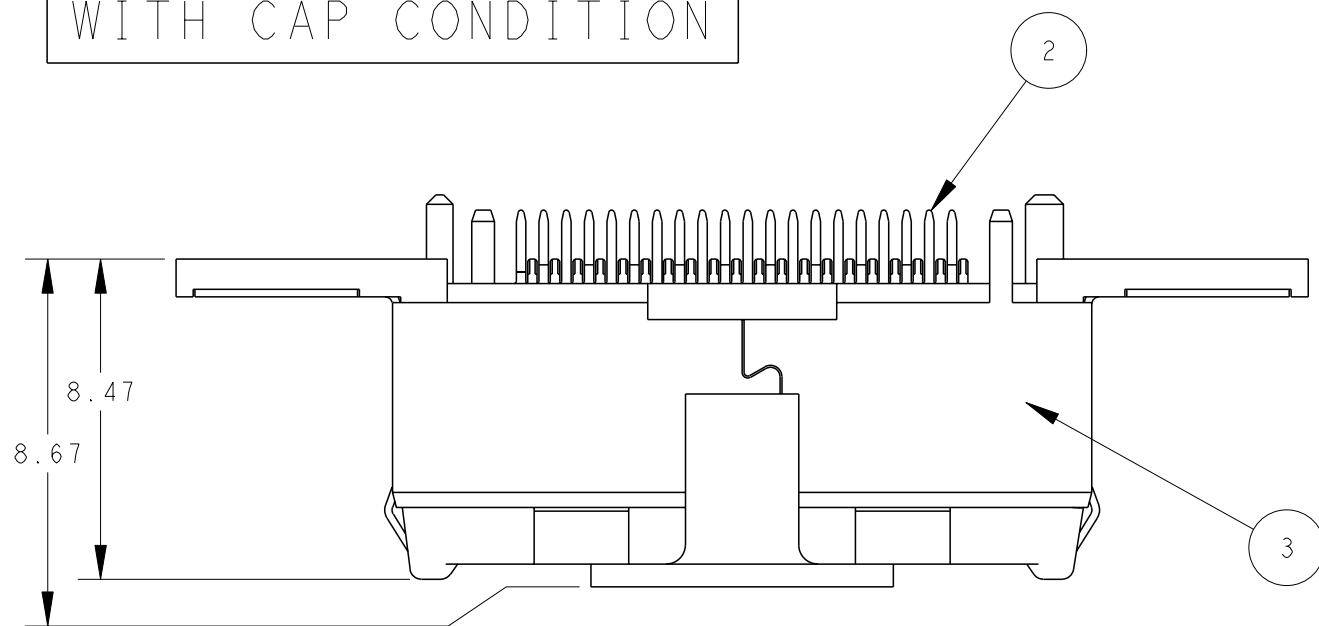
DIST

REVISIONS

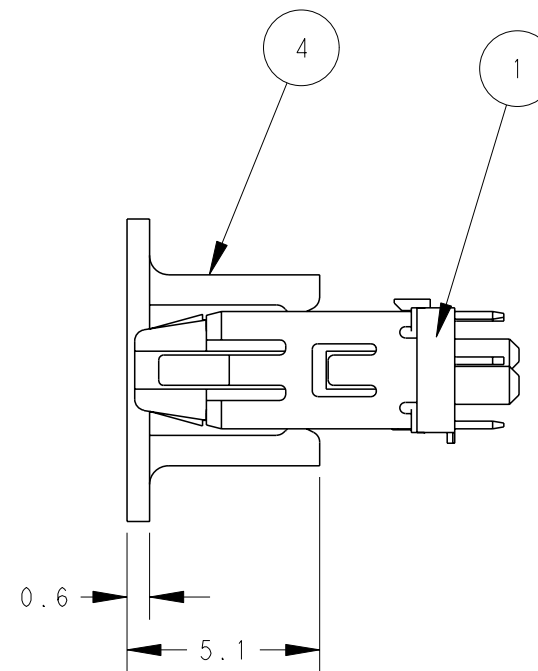
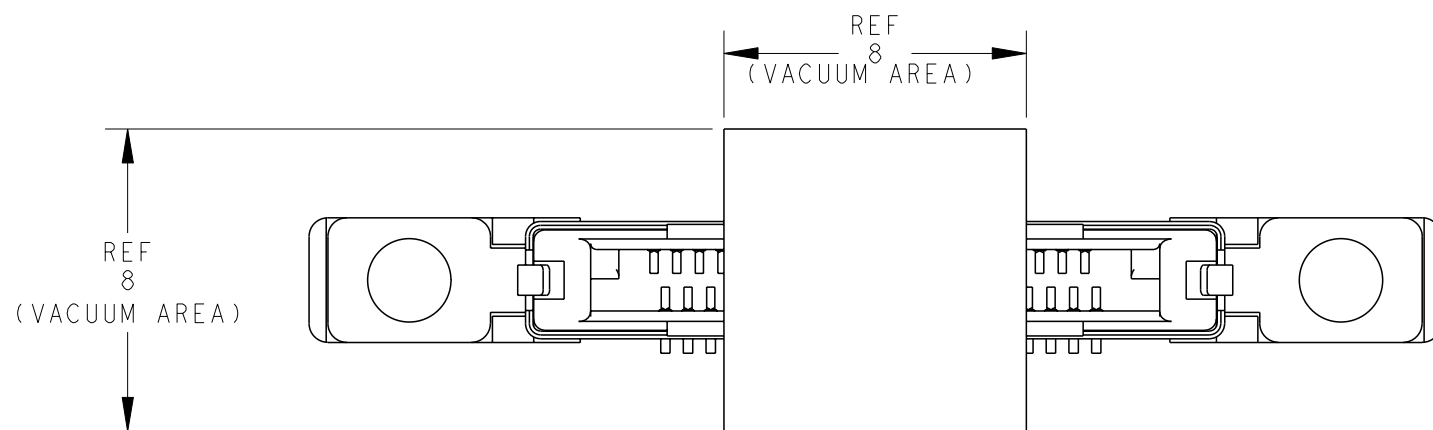
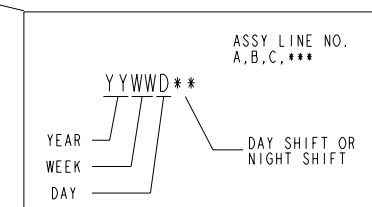
P	LTR	DESCRIPTION	DATE	DWN	APVD
B		REVISED (ECR-11-013643)	30JUN2011	T.K	H.K

WITH CAP CONDITION

2129261-1; AS SHOWN



- 1 MATERIAL: HOUSING: THERMO-PLASTIC(UL94V-0, BLACK).  
CONTACT: COPPER ALLOY.  
SHELL: STAINLESS STEEL.  
CAP: THERMO-PLASTIC(UL94V-0, BLACK).
- 2 FINISH:  
CONTACT: ALL OVER 2um MIN. Ni UNDER PLATING.  
0.38um MIN. Au PLATING ON CONTACT AREA.  
1~3um Tin PLATING ON TINE AREA.  
SHELL: ALL OVER 1.3um MIN. Ni UNDER PLATING.
- 3. LOW HALOGEN SPECIFICATION  
CHLORINE(Cl) : 900 ppm MAX.  
BROMINE(Br) : 900 ppm MAX.
- 4 DATE CODE



Q'TY	NAME	ITEM
1	CAP	④
1	SHELL	③
40	CONTACT	②
1	HOUSING	①

THIS DRAWING IS A CONTROLLED DOCUMENT.

DIMENSIONS: mm	TOLERANCES UNLESS OTHERWISE SPECIFIED: 0 PLC ± 1 PLC ± ±0.25 2 PLC ± ±3° 3 PLC ± 4 PLC ± ANGLES ±	DWN T.KUO 21MAR2011	TE Connectivity NAME PLUG ASSY, 0.6mm PITCH CHAMP DOCKING CONNECTOR, 40POS
		CHK V.PENG 21MAR2011	
		APVD H.KODAMA 21MAR2011	
		PRODUCT SPEC 108-99033	
MATERIAL ①	FINISH ②	APPLICATION SPEC	SIZE A3 CAGE CODE 00779 DRAWING NO C-2129261 RESTRICTED TO
		WEIGHT 1.14	SCALE 5:1 SHEET 1 OF 5 REV B

CUSTOMER DRAWING

4

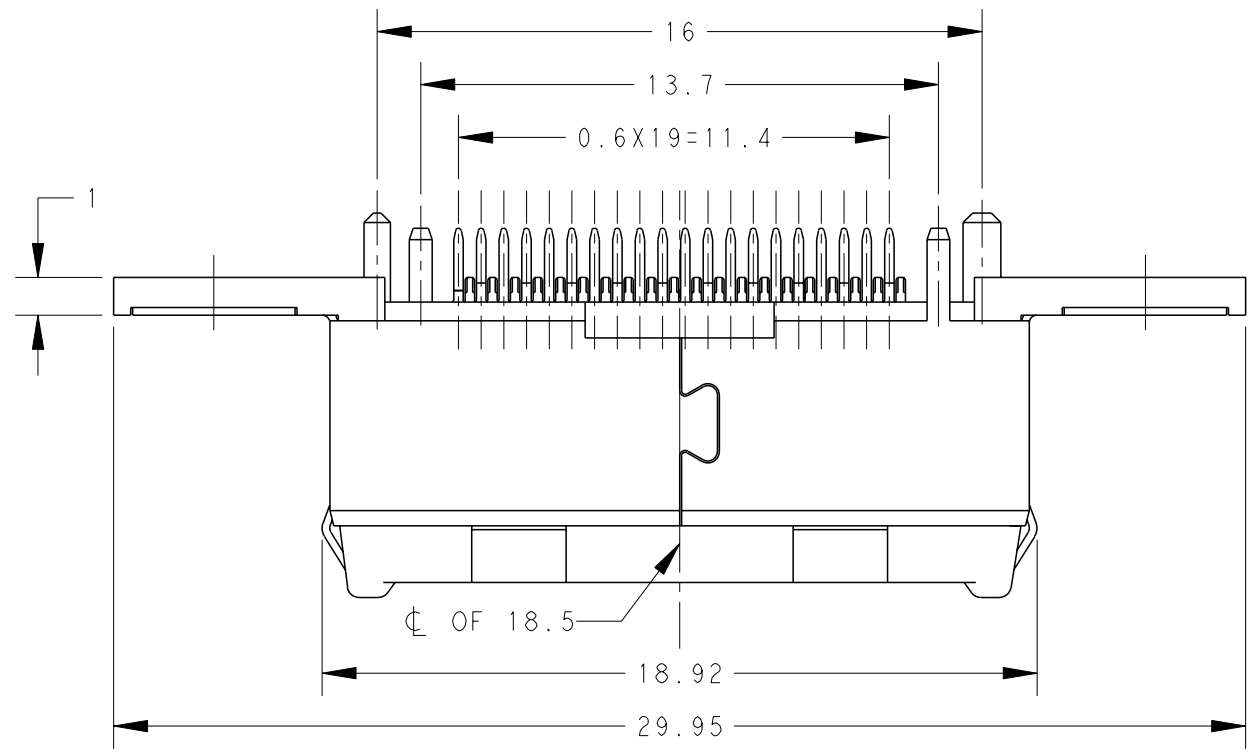
3

2

1

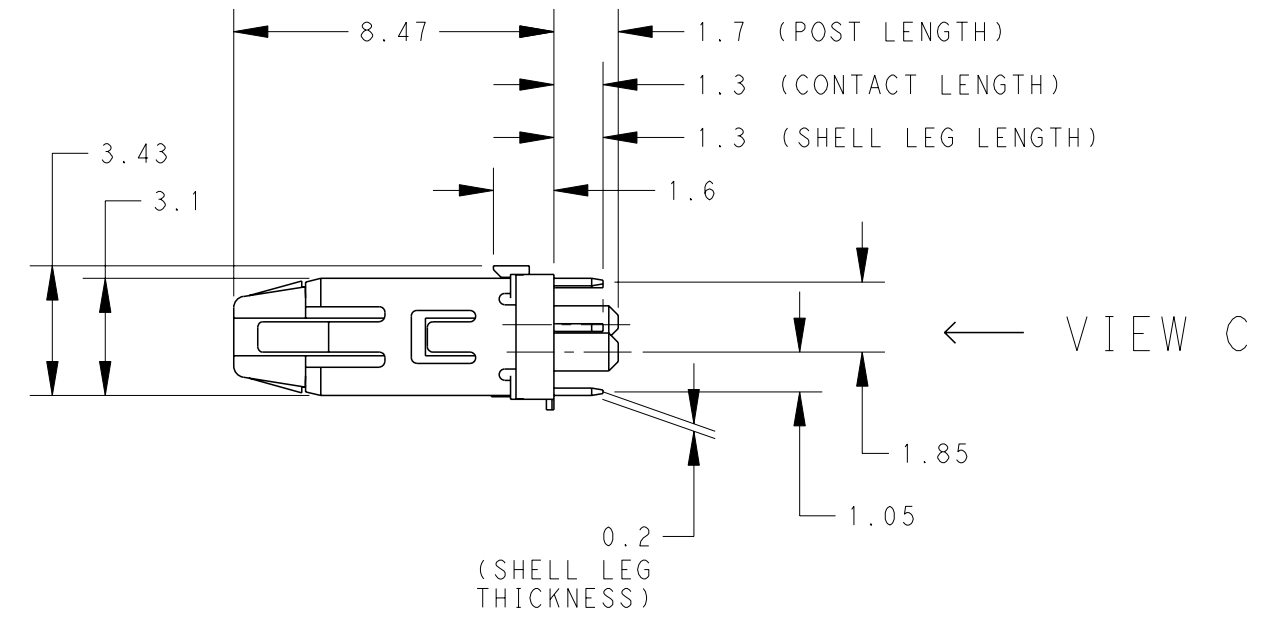
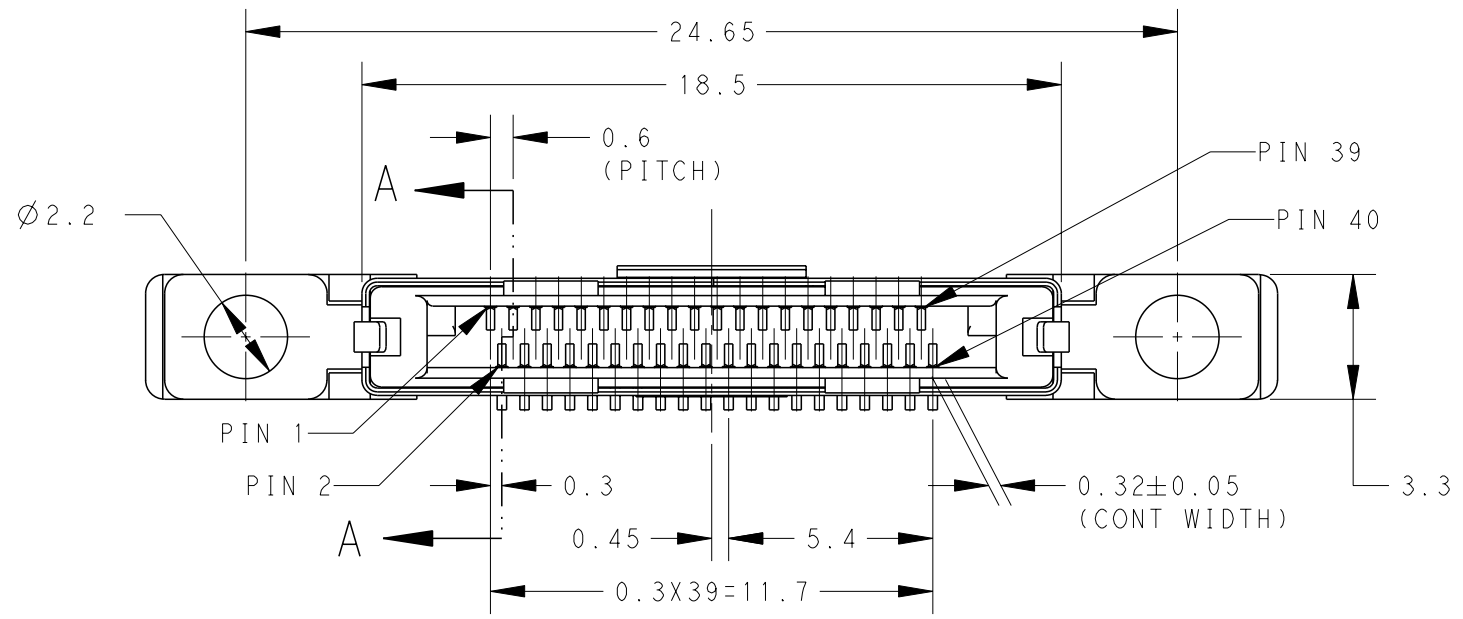
THIS DRAWING IS UNPUBLISHED. RELEASED FOR PUBLICATION 20  
 © COPYRIGHT 20 BY - ALL RIGHTS RESERVED.

LOC		DIST		REVISIONS			
P	LTR	DESCRIPTION		DATE	DWN	APVD	
		SEE SHEET 1					



2129261-1; AS SHOWN

W/O CAP CONDITION



VIEW B

VIEW C

THIS DRAWING IS A CONTROLLED DOCUMENT.		DWN	-		
DIMENSIONS: mm		CHK	-		
TOLERANCES UNLESS OTHERWISE SPECIFIED:		APVD	-		
0 PLC	±	PRODUCT SPEC	-		
1 PLC	±	APPLICATION SPEC	-		
2 PLC	±	WEIGHT	0.97g		
3 PLC	±	SIZE	A3		
4 PLC	±	CAGE CODE	00779		
ANGLES	±	DRAWING NO	C=2129261		
FINISH	-	RESTRICTED TO	-		
MATERIAL	-	SCALE	5:1		
CUSTOMER DRAWING		SHEET	2 OF 5		REV B



NAME  
 PLUG ASSY, 0.6mm PITCH  
 CHAMP DOCKING CONNECTOR, 40POS

4

3

2

1

THIS DRAWING IS UNPUBLISHED.

RELEASED FOR PUBLICATION

20

© COPYRIGHT 20 BY -

ALL RIGHTS RESERVED.

LOC  
DW

DIST

REVISIONS

P	LTR	DESCRIPTION	DATE	DWN	APVD
		SEE SHEET 1			

VIEW B

0.6 (SHELL LEG WIDTH)

0.7±0.05

0.45

5.4

0.6X19=11.4

0.25±0.05 (CONTACT TAIL WIDTH)

∅1±0.05

4

VIEW C

1.8

0.65

0.2 (CONTACT THICKNESS)

PIN 1

PIN 3

0.7 REF

0.85

0.8

PIN 2

0.6

0.25±0.05 (CONTACT TAIL WIDTH)

5.4

0.45

0.3X39=11.7

PIN 39

PIN 40

SECTION A-A

4.27

0.95

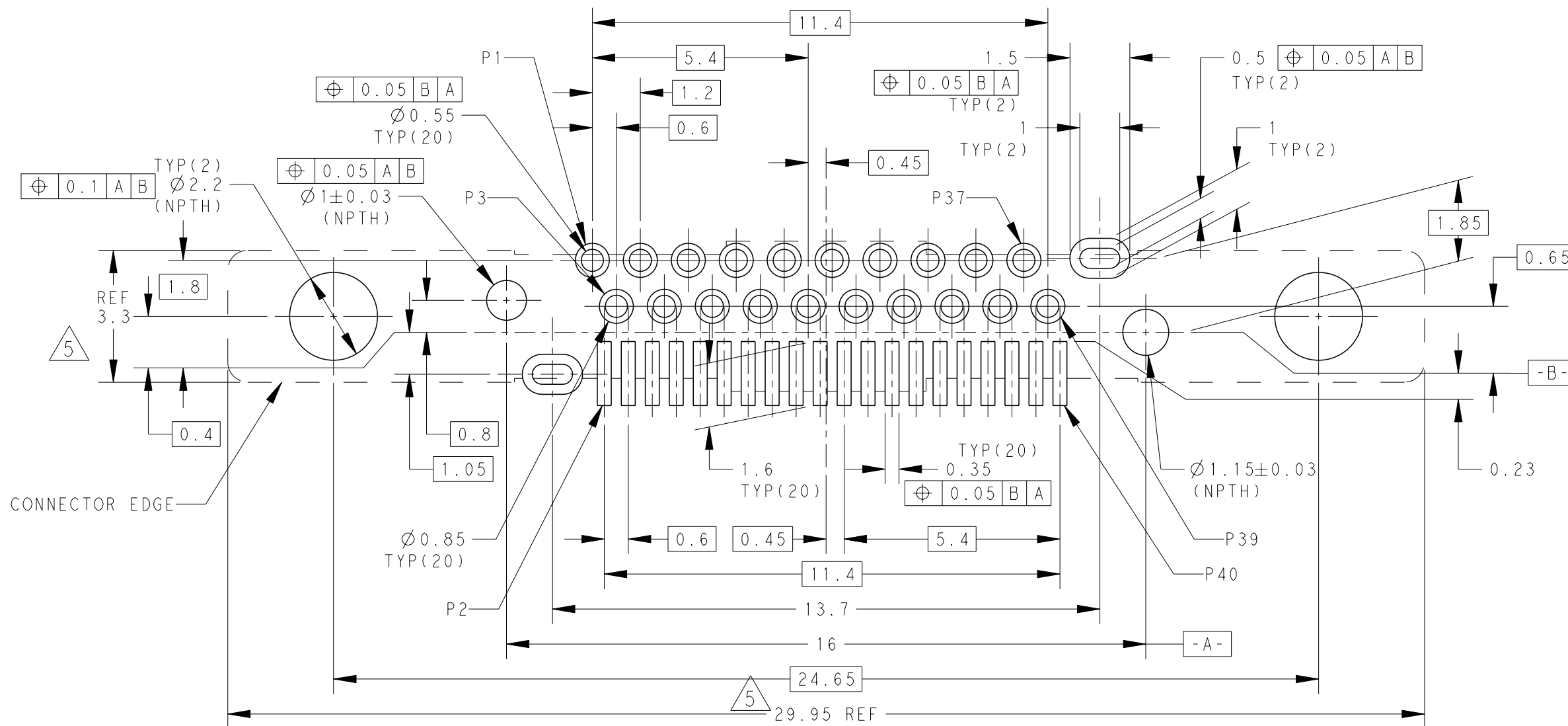
0.75 REF

0.5 (GND PIN: PIN2, 40)

0.2 (CONTACT THICKNESS)

THIS DRAWING IS A CONTROLLED DOCUMENT.		DWN	-	 TE Connectivity	NAME PLUG ASSY, 0.6mm PITCH CHAMP DOCKING CONNECTOR, 40POS
DIMENSIONS: mm		CHK	-		
TOLERANCES UNLESS OTHERWISE SPECIFIED:		APVD	-		
0 PLC ±- 1 PLC ±- ±0.25 2 PLC ±- ±3° 3 PLC ±- 4 PLC ±- ANGLES ±-		PRODUCT SPEC	-		
MATERIAL		APPLICATION SPEC	-	SIZE	A3
FINISH		WEIGHT	-	CAGE CODE	00779
		CUSTOMER DRAWING	-	DRAWING NO	2129261
				RESTRICTED TO	-
				SCALE	5:1
				SHEET	3 OF 5
				REV	B

1470-19 (3/11)

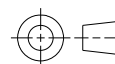


RECOMMENDED P.C. BOARD LAYOUT (TOP VIEW)

△ 5 CONNECTOR OUTLINE

THIS DRAWING IS A CONTROLLED DOCUMENT.

DIMENSIONS:  
mm



TOLERANCES UNLESS OTHERWISE SPECIFIED:

- 0 PLC ± ±0.05
- 1 PLC ± ±0.05
- 2 PLC ± ±3°
- 3 PLC ± ±
- 4 PLC ± ±
- ANGLES ± ±
- FINISH -

MATERIAL -

DWN	-
CHK	-
APVD	-
PRODUCT SPEC	-
APPLICATION SPEC	-
WEIGHT	-



TE Connectivity

NAME  
PLUG ASSY, 0.6mm PITCH  
CHAMP DOCKING CONNECTOR, 40POS

SIZE	CAGE CODE	DRAWING NO	RESTRICTED TO
A3	00779	C=2129261	-

CUSTOMER DRAWING

SCALE 8:1

SHEET 4 OF 5

REV B

4

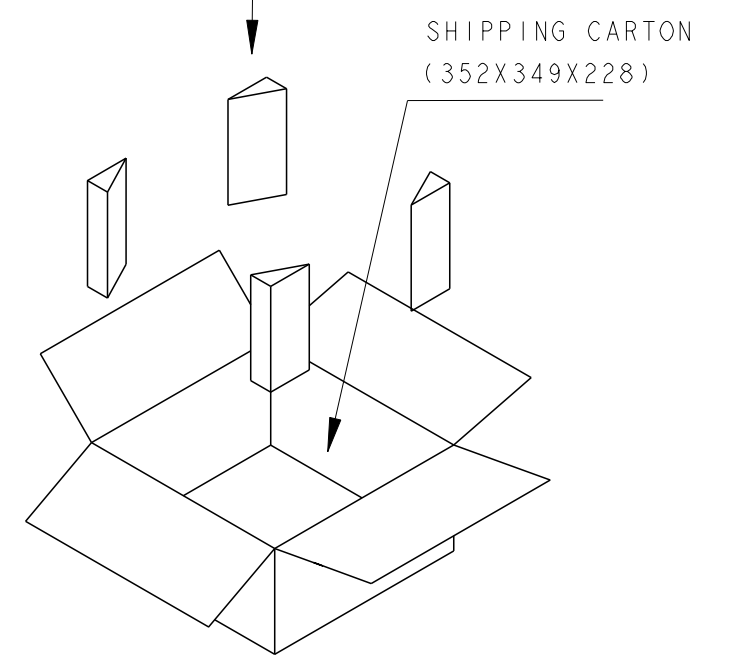
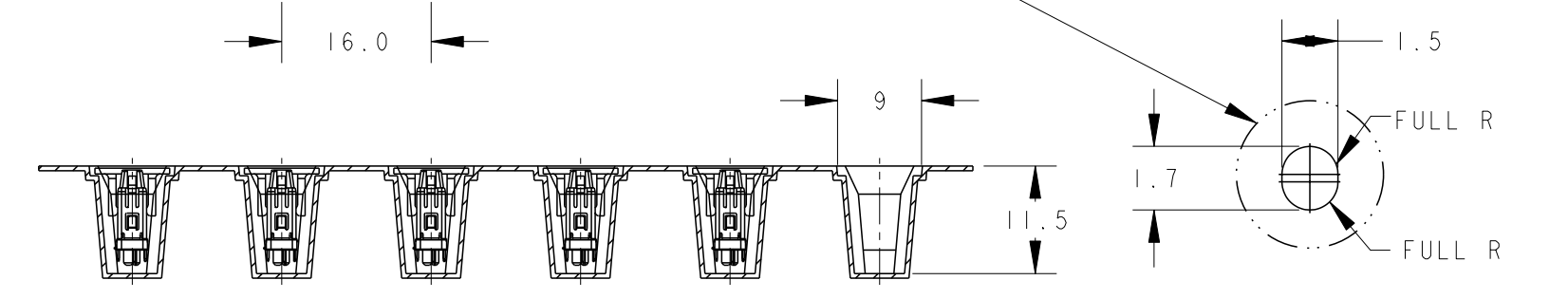
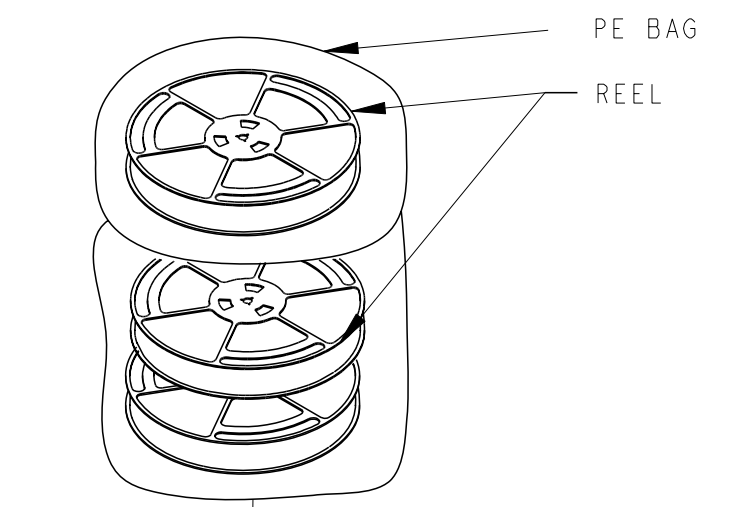
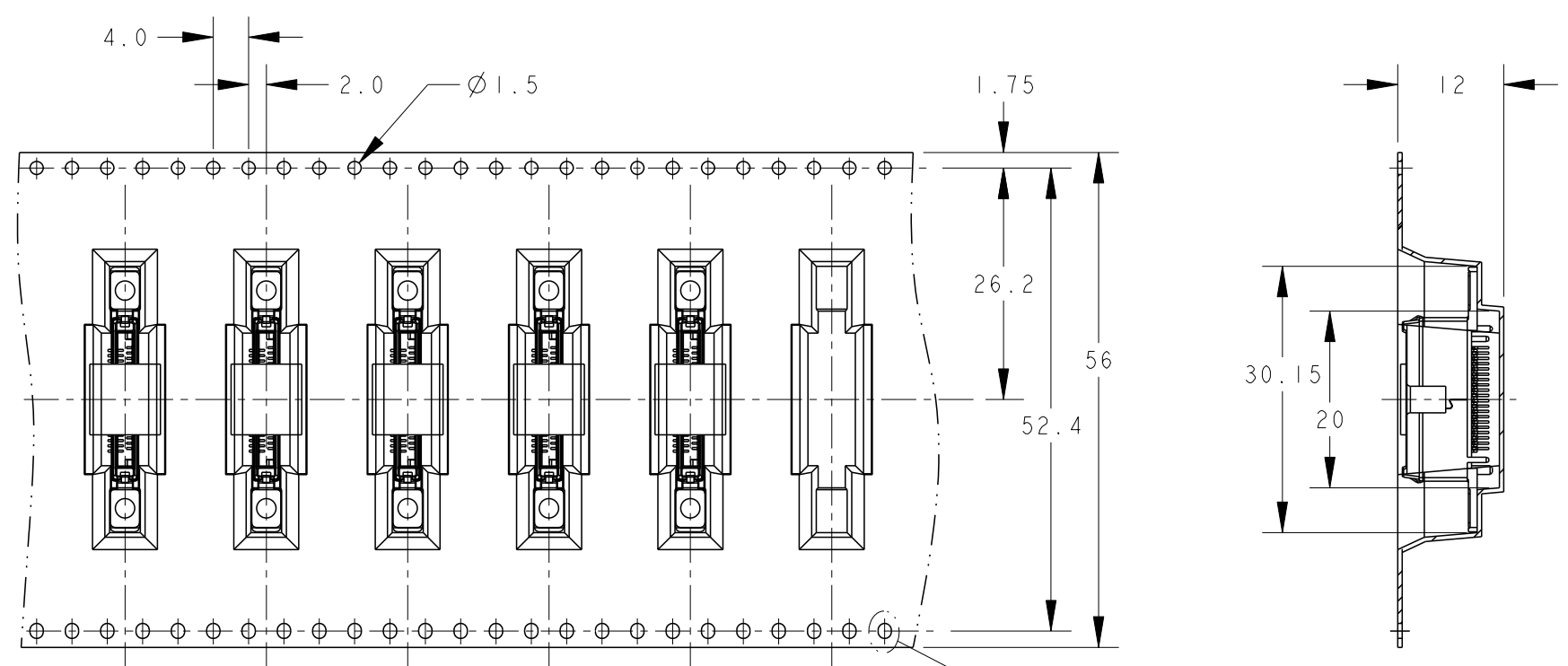
3

2

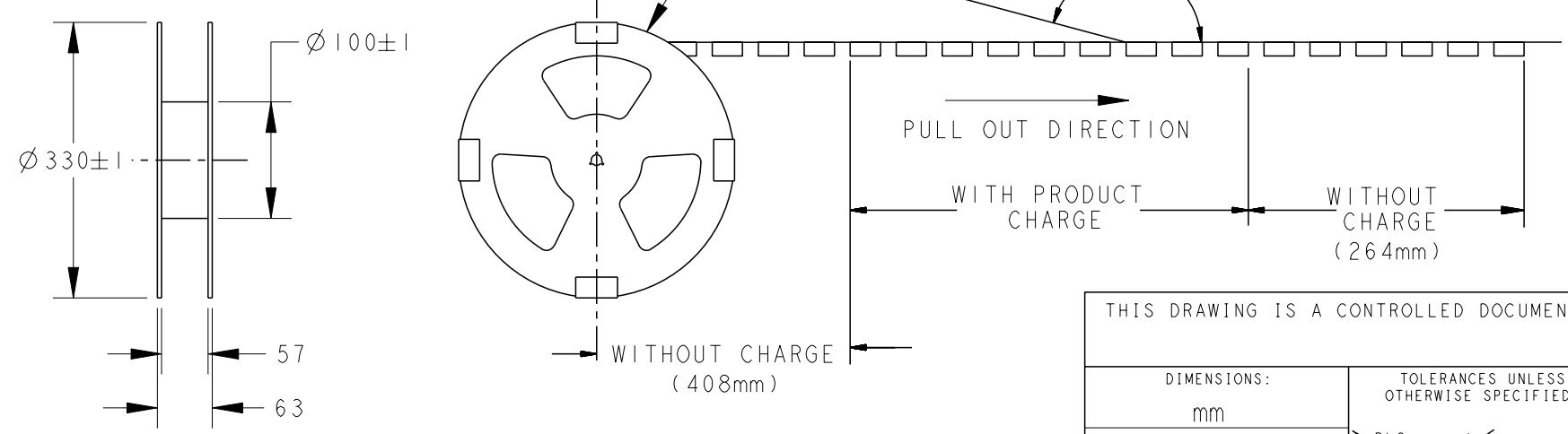
1

THIS DRAWING IS UNPUBLISHED. RELEASED FOR PUBLICATION 20  
 © COPYRIGHT 20 BY - ALL RIGHTS RESERVED.

LOC		DIST		REVISIONS					
DW		-		P	LTR	DESCRIPTION	DATE	DWN	APVD
SEE SHEET 1									



AROUND THE OUTER PERIPHERY IN A TURN.  
 WEEDING THE COVER TAPE  
 PEELING ANGLE: 165°~180°



6. PACKING MATERIAL:  
 CARRY TAPE: PS; COLOR:BLACK.  
 COVER TAPE: PET; COLOR: CLEAR.  
 PEELING STRENGTH OF COVER TAPE: 0.2N~1.2N

300	3	900
PCS/ TAPE	REELS/ CARTON	TOTAL QUANTITY

THIS DRAWING IS A CONTROLLED DOCUMENT.		DWN -		TE Connectivity	
DIMENSIONS: mm		CHK -			
TOLERANCES UNLESS OTHERWISE SPECIFIED:		APVD -		NAME	
0 PLC ±		PRODUCT SPEC -		PLUG ASSY, 0.6mm PITCH	
1 PLC ± ±0.5		APPLICATION SPEC -		CHAMP DOCKING CONNECTOR, 40POS	
2 PLC ± ±3°		WEIGHT -		SIZE	
3 PLC ±		CUSTOMER DRAWING		CAGE CODE	
4 PLC ±		SCALE 5:1		DRAWING NO	
ANGLES ±		SHEET 5 OF 5		REV B	
FINISH -		RESTRICTED TO		A300779C=2129261	