

Evaluation Board for the **ADG884** 0.5 Ω CMOS Dual 2:1 Mux/SPDT Audio Switch

FEATURES

Evaluation board

Probe test points on all switch channels

Logic control input always tied either high/low to prevent a floating voltage

INTRODUCTION

The [EVAL-ADG884EBZ](#) was designed to test the [ADG884](#) dual, single pole, double throw (SPDT) switch in the WLCSP package.

The [ADG884](#) is a low voltage CMOS device containing two independently selectable SPDT switches. It has been optimized for high performance audio switching, and due to its low power and small physical size, it is ideal for portable devices.

This device offers ultralow on resistance of less than 0.38 Ω over the full temperature range. All channels exhibit break-before-make switching action, preventing momentary shorting when switching channels.

Full data on the [ADG884](#) is available in the [ADG884](#) data sheet available from Analog Devices, Inc., and should be consulted in conjunction with this user guide when using the evaluation board.

EVALUATION BOARD PICTURE

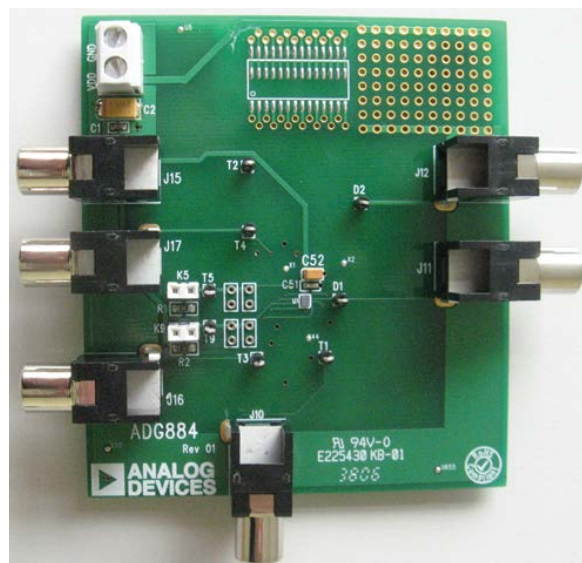


Figure 1.

TABLE OF CONTENTS

Features	1	Operating the EVAL-ADG884EBZ Evaluation Board	3
Introduction	1	Testing the Parameters of the ADG884	3
Evaluation Board Picture	1	Evaluation Board Schematics and Artwork	4
Revision History	2	Component List	7
Evaluation Board Hardware	3		

REVISION HISTORY

8/12—Revision 0: Initial Version

EVALUATION BOARD HARDWARE

The [EVAL-ADG884EBZ](#) evaluation board has been designed for testing the functionality of the device. The board comes with many options for adding loads to each of the channels and offers the option of probing each channel through a test point.

The [EVAL-ADG884EBZ](#) evaluation board allows designers to evaluate the high performance dual, SPDT switches with a minimum of effort. There is a test point on each audio jack, as well as two logic control inputs, to check the voltage level at each pin.

OPERATING THE [EVAL-ADG884EBZ](#) EVALUATION BOARD

Power Supplies

The evaluation board has one analog power supply input, V_{DD} . V_{DD} can equal 1.8 V to 5.5 V and is decoupled to ground using a 10 μ F tantalum capacitor and a 0.1 μ F ceramic capacitor at the input of the evaluation board. The V_{DD} supply can be connected to the board using the power block pin, VDD, and a ground connection is made using the power block pin, GND.

Source and Drain Pins

There are six audio jacks available on the [EVAL-ADG884EBZ](#) to test the capabilities of the [ADG884](#) chip. The [ADG884](#) chip is bidirectional; therefore, each jack can be used as an input or an output. The connection between each audio jack and the associated switch pin is given in Table 1.

Signals can be applied to the source and drain pins of the [ADG884](#) through the audio jack connectors. The source and drain pins offer the user the option of a test point to allow for easy probing of the switch channels.

IN Pins

Two link options are available when using the [EVAL-ADG884EBZ](#) evaluation board. K5 and K9 offer the user the ability to tie the control lines, IN1 and IN2, respectively, high or low. When the jumper is removed from the link, the control line is set logic high, and when the jumper is inserted, the control line is set logic low. The control lines are used to set the configuration of the switch. Table 2 shows the association between the state of the link headers and the connection between the audio jacks.

TESTING THE PARAMETERS OF THE [ADG884](#)

The [EVAL-ADG884EBZ](#) can be used to test the electrical parameters of the [ADG884](#). The data sheet for the [ADG884](#) comes with a complete set of test circuits for testing the various switch specifications.

Table 1. Audio Jack Functions

Jack Number	Function
J10	S1A
J11	D1
J12	D2
J15	S1B
J16	S2A
J17	S2B

Table 2. Link Options

Link No.	Link State	ADG884 Switch States		Board Connections
K5	Inserted	S1A (off)	S1B (on)	J15 to J11
	Removed	S1A (on)	S1B (off)	J10 to J11
K9	Inserted	S2A (off)	S2B (on)	J17 to J12
	Removed	S2A (on)	S2B (off)	J16 to J12

EVALUATION BOARD SCHEMATICS AND ARTWORK

10829-001

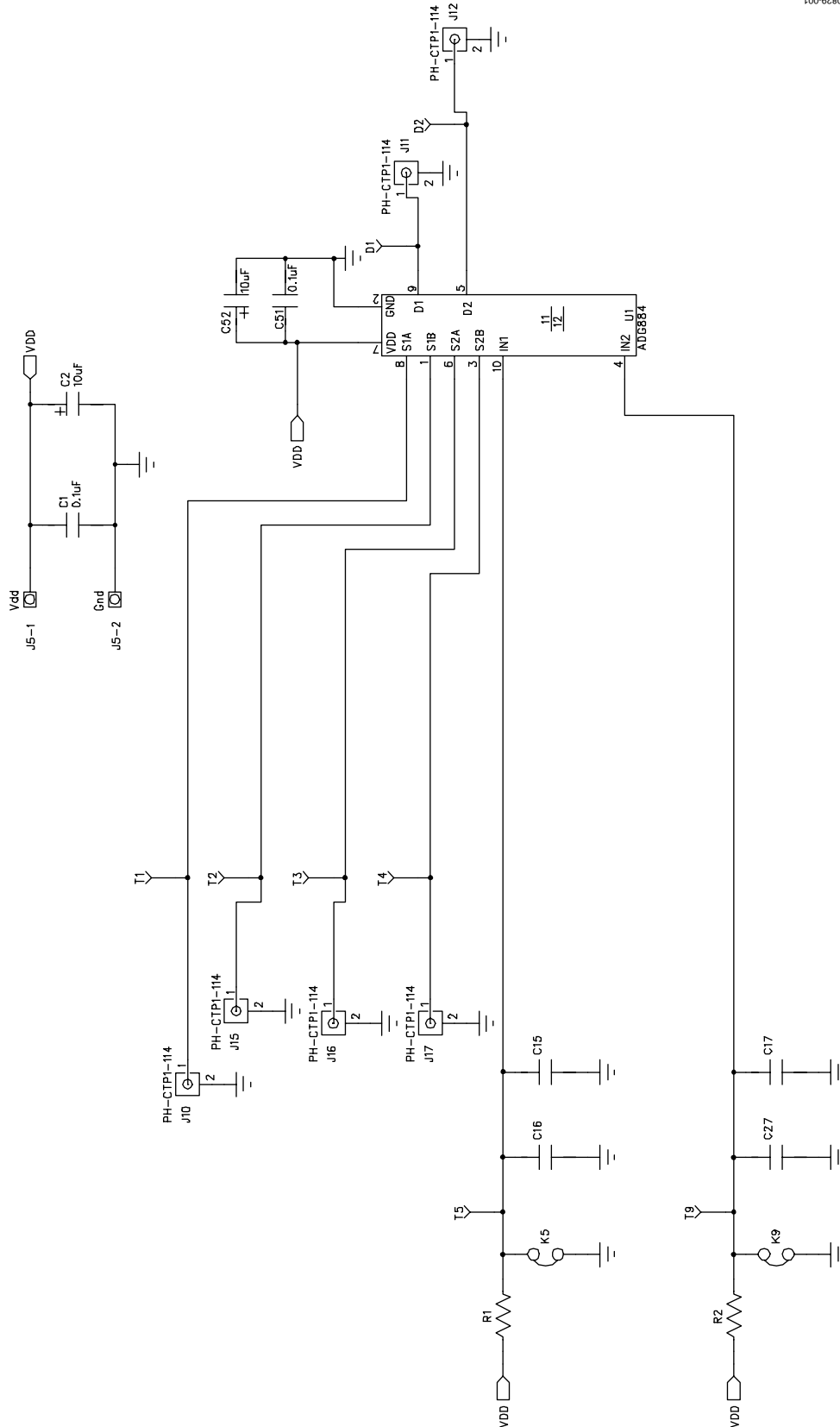


Figure 2. EVAL-ADG884EBZ Evaluation Board Schematic

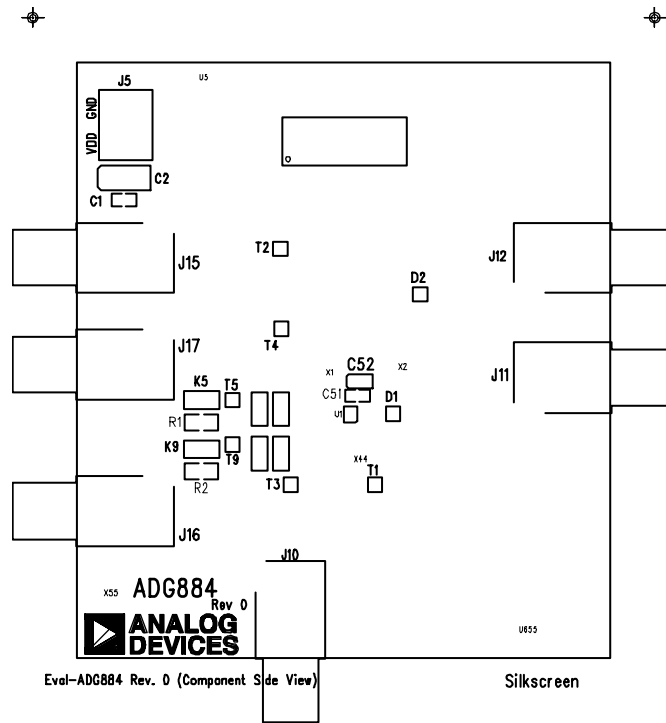


Figure 3. EVAL-ADG884EBZ Evaluation Board, Component Placement Drawing

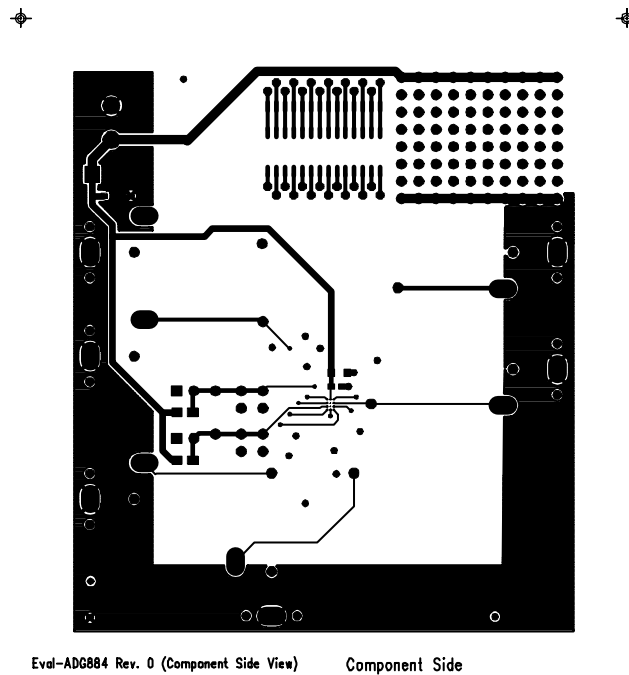
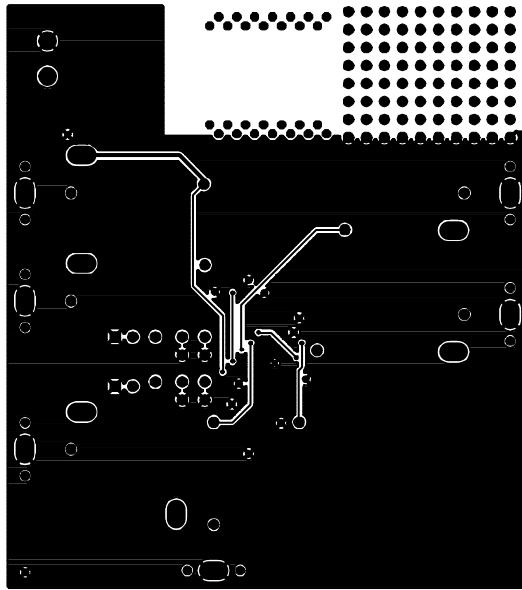


Figure 4. EVAL-ADG884EBZ Evaluation Board, Component Side PCB Drawing



Eval-ADG884 Rev. 0 (Component Side View)

Solder Side

10825-004

Figure 5. EVAL-ADG884EBZ Evaluation Board, Solder Side PCB Drawing

COMPONENT LIST

Table 3.

Item	Quantity	Reference	Description	Supplier Number
1	2	C1, C51	0.1 μ F capacitors	FEC 753-567
2	1	C2	10 μ F capacitor	FEC 197-518
3	4	C15, C16, C17, C27	CAP\MR04	Low profile sockets
4	1	C52	10 μ F CAP\TAJ_A	FEC 197-130
5	2	D1, D2	Test points	FEC 873-1128
6	1	J5	CON\POWER	FEC 151-789
7	6	J10 to J12, J15 to J17	Phono sockets	PH-CTP1-114
8	2	K5, K9	Jumpers	FEC 1022247 and FEC 150-411
9	2	R1, R2	10 k Ω resistors	FEC 1160203
10	6	T1 to T5, T9	Test points	FEC 873-1128
11	1	U1	ADG884	ADG884BCBZ-REEL\ADG884BCBZ-REEL7
12	1	U3	SO28WB_NB	Pads to be kept free of solder

NOTES

**ESD Caution**

ESD (electrostatic discharge) sensitive device. Charged devices and circuit boards can discharge without detection. Although this product features patented or proprietary protection circuitry, damage may occur on devices subjected to high energy ESD. Therefore, proper ESD precautions should be taken to avoid performance degradation or loss of functionality.

Legal Terms and Conditions

By using the evaluation board discussed herein (together with any tools, components documentation or support materials, the "Evaluation Board"), you are agreeing to be bound by the terms and conditions set forth below ("Agreement") unless you have purchased the Evaluation Board, in which case the Analog Devices Standard Terms and Conditions of Sale shall govern. Do not use the Evaluation Board until you have read and agreed to the Agreement. Your use of the Evaluation Board shall signify your acceptance of the Agreement. This Agreement is made by and between you ("Customer") and Analog Devices, Inc. ("ADI"), with its principal place of business at One Technology Way, Norwood, MA 02062, USA. Subject to the terms and conditions of the Agreement, ADI hereby grants to Customer a free, limited, personal, temporary, non-exclusive, non-sublicensable, non-transferable license to use the Evaluation Board FOR EVALUATION PURPOSES ONLY. Customer understands and agrees that the Evaluation Board is provided for the sole and exclusive purpose referenced above, and agrees not to use the Evaluation Board for any other purpose. Furthermore, the license granted is expressly made subject to the following additional limitations: Customer shall not (i) rent, lease, display, sell, transfer, assign, sublicense, or distribute the Evaluation Board; and (ii) permit any Third Party to access the Evaluation Board. As used herein, the term "Third Party" includes any entity other than ADI, Customer, their employees, affiliates and in-house consultants. The Evaluation Board is NOT sold to Customer; all rights not expressly granted herein, including ownership of the Evaluation Board, are reserved by ADI. CONFIDENTIALITY. This Agreement and the Evaluation Board shall all be considered the confidential and proprietary information of ADI. Customer may not disclose or transfer any portion of the Evaluation Board to any other party for any reason. Upon discontinuation of use of the Evaluation Board or termination of this Agreement, Customer agrees to promptly return the Evaluation Board to ADI. ADDITIONAL RESTRICTIONS. Customer may not disassemble, decompile or reverse engineer chips on the Evaluation Board. Customer shall inform ADI of any occurred damages or any modifications or alterations it makes to the Evaluation Board, including but not limited to soldering or any other activity that affects the material content of the Evaluation Board. Modifications to the Evaluation Board must comply with applicable law, including but not limited to the RoHS Directive. TERMINATION. ADI may terminate this Agreement at any time upon giving written notice to Customer. Customer agrees to return to ADI the Evaluation Board at that time. LIMITATION OF LIABILITY. THE EVALUATION BOARD PROVIDED HEREUNDER IS PROVIDED "AS IS" AND ADI MAKES NO WARRANTIES OR REPRESENTATIONS OF ANY KIND WITH RESPECT TO IT. ADI SPECIFICALLY DISCLAIMS ANY REPRESENTATIONS, ENDORSEMENTS, GUARANTEES, OR WARRANTIES, EXPRESS OR IMPLIED, RELATED TO THE EVALUATION BOARD INCLUDING, BUT NOT LIMITED TO, THE IMPLIED WARRANTY OF MERCHANTABILITY, TITLE, FITNESS FOR A PARTICULAR PURPOSE OR NON-INFRINGEMENT OF INTELLECTUAL PROPERTY RIGHTS. IN NO EVENT WILL ADI AND ITS LICENSORS BE LIABLE FOR ANY INCIDENTAL, SPECIAL, INDIRECT, OR CONSEQUENTIAL DAMAGES RESULTING FROM CUSTOMER'S POSSESSION OR USE OF THE EVALUATION BOARD, INCLUDING BUT NOT LIMITED TO LOST PROFITS, DELAY COSTS, LABOR COSTS OR LOSS OF GOODWILL. ADI'S TOTAL LIABILITY FROM ANY AND ALL CAUSES SHALL BE LIMITED TO THE AMOUNT OF ONE HUNDRED US DOLLARS (\$100.00). EXPORT. Customer agrees that it will not directly or indirectly export the Evaluation Board to another country, and that it will comply with all applicable United States federal laws and regulations relating to exports. GOVERNING LAW. This Agreement shall be governed by and construed in accordance with the substantive laws of the Commonwealth of Massachusetts (excluding conflict of law rules). Any legal action regarding this Agreement will be heard in the state or federal courts having jurisdiction in Suffolk County, Massachusetts, and Customer hereby submits to the personal jurisdiction and venue of such courts. The United Nations Convention on Contracts for the International Sale of Goods shall not apply to this Agreement and is expressly disclaimed.