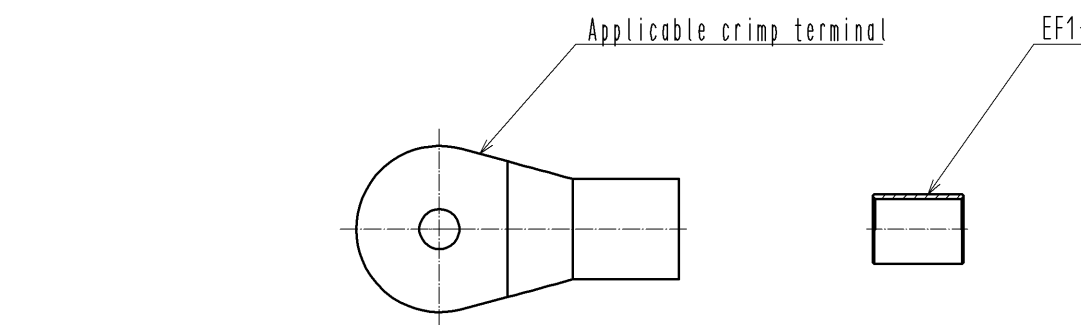
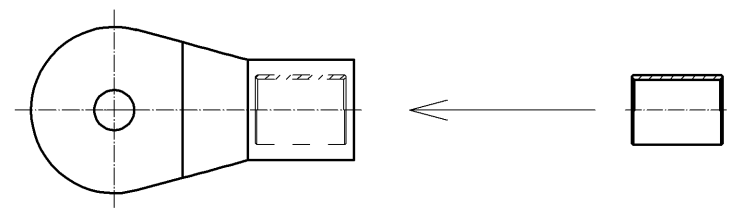


- NOTES
- 1 This sleeve is used for crimping 22 mm² size cable to 38 mm² size crimp terminal.
 - ⚠ 2 Applicable crimp terminal for this product is packaged terminal of EF1-38R*-1SC* or EF1-38P*-1PC*.
 - ⚠ 3 Recommended crimping tool:
REC 150F(JIS C 9711) manufactured by IZUMI product company.
 - 4 One bag includes 100pcs of products.

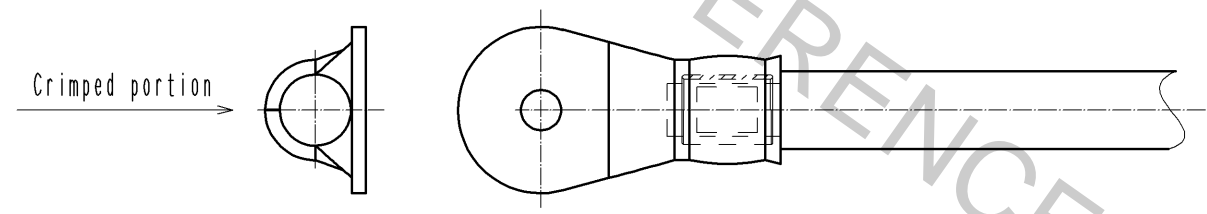
☐ Instructions for the cable assembly (1:1)



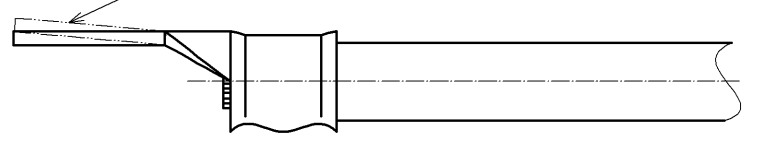
(1) Insert EF1-38-22 into the applicable crimp terminal.



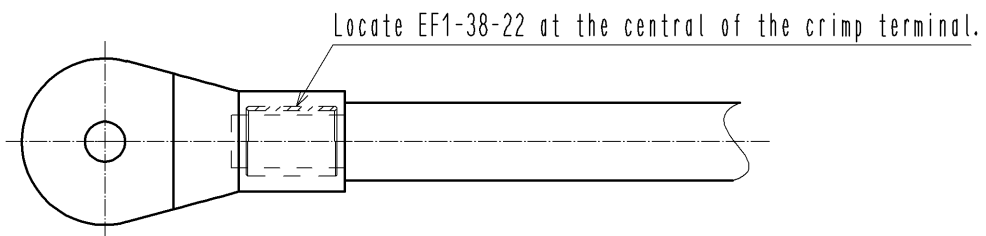
(3) Crimp the terminal with the recommended crimping tool at size 38 position.



Avoid the deformation especially to the shape described with two-dot chain line.



(2) Insert the applicable cable into the applicable crimp terminal.



1	Copper alloy	Tin plating					
NO.	MATERIAL	FINISH	REMARKS				
UNITS mm		SCALE 5 : 1	COUNT 2	DESCRIPTION OF REVISIONS DIS-C-003077	DESIGNED HS. KAWASHIMA	CHECKED SU. OBARA	DATE 13. 06. 03
HRS HIROSE ELECTRIC CO., LTD.		APPROVED : SU. OBARA	13. 02. 22	DRAWING NO. EDC3-118015-00			
		CHECKED : YH. YAMADA	13. 02. 22	PART NO. EF1-38-22			
		DESIGNED : HS. KAWASHIMA	13. 02. 22	CODE NO. CL142-0006-7-00			
		DRAWN : KN. IKEHARA	13. 02. 22	1/1			