

DATA SHEET

SKY65352-11: 2.4 GHz Transmit/Receive Front-End Module with Integrated Low-Noise Amplifier

Applications

- 2.4 GHz ISM band radios
- ZigBee® FEMs
- IEEE 802.15.4 applications

Features

- Transmit output power > +20 dBm
- Receive path NF < 2.5 dB
- High efficiency PA
- Configurable transmit/receive paths
- Internal switching and control circuits
- Internal RF match and bias circuits
- Single DC supply = 3.3 V
- All RF ports are internally DC blocked
- Small footprint, MCM (20-pin, 6 x 6 mm) SMT package (MSL3, 260 °C per JEDEC J-STD-020)

Description

Skyworks SKY65352-11 is a high-efficiency Front-End Module (FEM). The device contains a 2400 to 2500 MHz high efficiency transmit path and a low-noise receive path.

The transmit path consists of a high efficiency Power Amplifier (PA) and harmonic filter. The receive path contains a low current Low-Noise Amplifier (LNA).

The transmit and receive paths are connected to a common Single-Pole, Double-Throw (SPDT) switch at both the input and output.

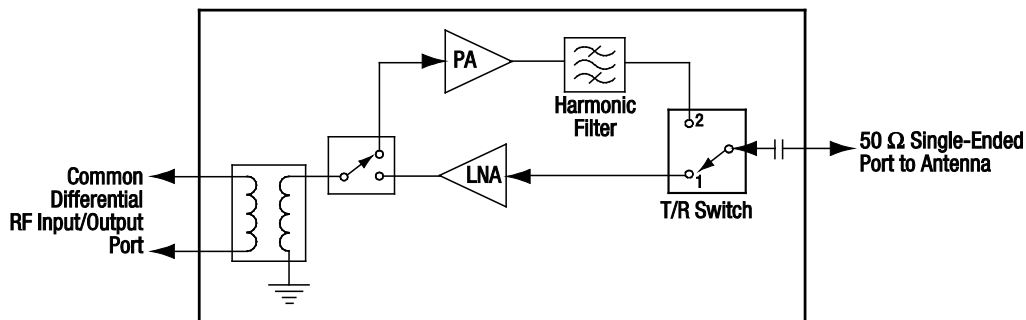
There is an internal balun that allows either the transmit input or the receive output to connect to a differential port.

The device is mounted in a 20-pin, 6 x 6 mm Multi-Chip Module (MCM) Surface-Mounted Technology (SMT) package, which allows for a highly manufacturable low-cost solution.

A block diagram of the SKY65352-11 is shown in Figure 1. The device package and pinout for the 20-pin MCM are shown in Figure 2.



Skyworks Pb-free products are compliant with all applicable legislation. For additional information, refer to *Skyworks Definition of Lead (Pb)-Free*, document number SQ04-0073.



S1883

Figure 1. SKY65352-11 Block Diagram

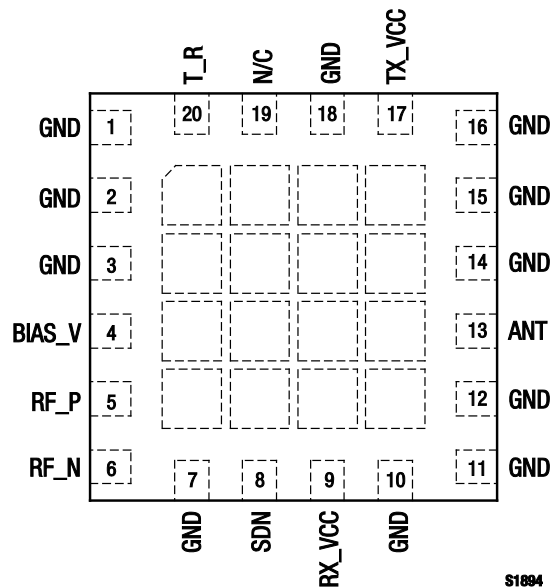


Figure 2. SKY65352-11 Pinout – 20-Pin MCM (Top View)

Technical Description

Shut Down and T/R Switch Mode Control

Pin 8 (SDN) is used to enable the device while pin 20 (T_R) enables transmit or receive mode. The following control logic is used to configure the transmit, receive, or shut down mode of the SKY65352-11:

| SDN (Pin 8) | T_R (Pin 20) | Mode |
|-------------|--------------|----------------|
| High | High | Transmit mode |
| High | Low | Receive mode |
| Low | Low | Shut Down mode |

Bottom Center Paddle

The bottom center paddles must be electrically grounded for proper RF performance. Customers should place adequate thermal vias under the ground paddles for optimum thermal performance. The Evaluation Board layout can be used as a guide for RF ground and thermal layout.

Electrical and Mechanical Specifications

Signal pin assignments and functional pin descriptions are described in Table 1. The absolute maximum ratings of the SKY65352-11 are provided in Table 2. The recommended

operating conditions are specified in Table 3 and electrical specifications are provided in Table 4.

The SKY65352-11 provides one RF differential port composed of the RF_P and RF_N pin signals (pins 5 and 6, respectively). The Smith chart in Figure 3 plots the impedance of the RF differential port. Typical performance characteristics are shown in Figures 4, 5, and 6.

Package and Handling Information

Since the device package is sensitive to moisture absorption, it is baked and vacuum packed before shipping. Instructions on the shipping container label regarding exposure to moisture after the container seal is broken must be followed. Otherwise, problems related to moisture absorption may occur when the part is subjected to high temperature during solder assembly.

The SKY65352-11 is rated to Moisture Sensitivity Level 3 (MSL3) at 260 °C. It can be used for lead or lead-free soldering. For additional information, refer to Skyworks Application Note, *PCB Design and SMT Assembly/Rework Guidelines for MCM-L Packages*, document number 101752.

Care must be taken when attaching this product, whether it is done manually or in a production solder reflow environment. Production quantities of this product are shipped in a standard tape and reel format.

Table 1. SKY65352-11 Signal Descriptions

| Pin # | Name | Description | Pin # | Name | Description |
|-------|--------|--|-------|--------|----------------------------|
| 1 | GND | Ground | 11 | GND | Ground |
| 2 | GND | Ground | 12 | GND | Ground |
| 3 | GND | Ground | 13 | ANT | Antenna port |
| 4 | BIAS_V | DC bias voltage to balun center tap | 14 | GND | Ground |
| 5 | RF_P | Positive common differential RF input/output | 15 | GND | Ground |
| 6 | RF_N | Negative common differential RF input/output | 16 | GND | Ground |
| 7 | GND | Ground | 17 | TX_VCC | Transmit DC supply, +3.3 V |
| 8 | SDN | Shut down enable | 18 | GND | Ground |
| 9 | RX_VCC | Receive DC supply, +3.3 V | 19 | N/C | No connection |
| 10 | GND | Ground | 20 | T_R | Transmit/receive control |

Note: The bottom ground pad must be connected to RF ground.

Table 2. SKY65352-11 Absolute Maximum Ratings (Note 1)

| Parameter | Symbol | Minimum | Maximum | Units |
|------------------------------|---------------------|---------|---------|-------|
| Supply voltage | RX_VCC, TX_VCC | 1.8 | 4 | V |
| Control voltage | SDN, T_R | | 3.6 | V |
| Bypass voltage | BIAS_V | | 4 | V |
| RF input power, antenna port | P _{IN_ANT} | | +10 | dBm |
| RF input power, differential | P _{IN_TX} | | +8 | dBm |
| Case operating temperature | T _C | -40 | +85 | °C |
| Storage temperature | T _{ST} | -55 | +125 | °C |
| Junction temperature | T _J | | +150 | °C |

Note 1: Exposure to maximum rating conditions for extended periods may reduce device reliability. There is no damage to device with only one parameter set at the limit and all other parameters set at or below their nominal value. Exceeding any of the limits listed here may result in permanent damage to the device.

CAUTION: Although this device is designed to be as robust as possible, Electrostatic Discharge (ESD) can damage this device. This device must be protected at all times from ESD. Static charges may easily produce potentials of several kilovolts on the human body or equipment, which can discharge without detection. Industry-standard ESD precautions should be used at all times.

Table 3. SKY65352-11 Recommended Operating Conditions

| Parameter | Symbol | Minimum | Typical | Maximum | Units |
|------------------------------------|------------------------|---------|---------|---------|-------|
| Frequency range | f | 2400 | | 2500 | MHz |
| Supply voltage (TX_VCC, RX_VCC) | VCC | 2.7 | 3.3 | 3.6 | V |
| Shut down and T/R control voltage: | | | | | |
| Low | T_RL, SDN _L | | 0 | 0.1 | V |
| High | T_RH, SDN _H | 1.62 | 1.80 | 3.60 | V |

Table 4. SKY65352-11 Electrical Specifications (Note 1)
(VCC = 3.3 V, Tc = 25 °C, PIN = +3 dBm, Unless Otherwise Noted)

| Parameter | Symbol | Test Condition | Min | Typical | Max | Units |
|---|--------------------------------------|---|---|-----------------------|------|--------|
| Frequency range | f | | 2400 | | 2500 | MHz |
| Return loss (Note 2) | RL | All RF ports | | 12 | | dB |
| Differential port impedance (RF_P and RF_N pins) (Note 2): Transmit mode Receive mode | Z _{DTX} Z _{DRX} | | | 60 + j78 123 + j31 | | Ω Ω |
| Transmitter Section | | | | | | |
| Saturated output power (Note 2) | P _{SAT} | | | +21 | | dBm |
| Transmit output power | P _{OUT} | | +19.5 | +20.0 | | dBm |
| Operating current | I _{OP} | P _{OUT} = +20 dBm | | 110 | 130 | mA |
| 2 nd harmonic | P _{n2} | IEEE 802.15.4 OQPSK modulated | | -53 | -43 | dBm |
| 3 rd harmonic | P _{n3} | IEEE 802.15.4 OQPSK modulated | | -53 | -43 | dBm |
| Small signal gain (Note 2) | G _H | P _{IN} = -10 dBm | | 20 | | dB |
| Leakage current | I _{LEAK} | No RF input, VCC = 3.3 V, SDN = 0 V, T_R = 0 V | | 0.3 | 1 | μA |
| Spur (Note 2) | | VSWR up to 10:1 (all phase angles) | No parasitic oscillation > -44 dBm | | | - |
| Ruggedness (Note 2) | | VSWR up to 10:1 (all phase angles) | No module damage or permanent degradation | | | - |
| Receive Section | | | | | | |
| Small signal gain | G | CW, P _{IN} = -20 dBm | 7 | 10 | | dB |
| Noise Figure | NF | | | 2 | 3 | dB |
| 3 rd Order Input Intercept Point | IIP3 | Two CW tones, spaced 1 MHz apart @ P _{IN} = -9 dBm | -10 | -4 | | dBm |
| Operating current | I _{CC} | CW | | 7 | 12 | mA |

Note 1: Performance is guaranteed only under the conditions listed in this Table.

Note 2: Parameter is characterized under the conditions in this Table, but is not production tested.

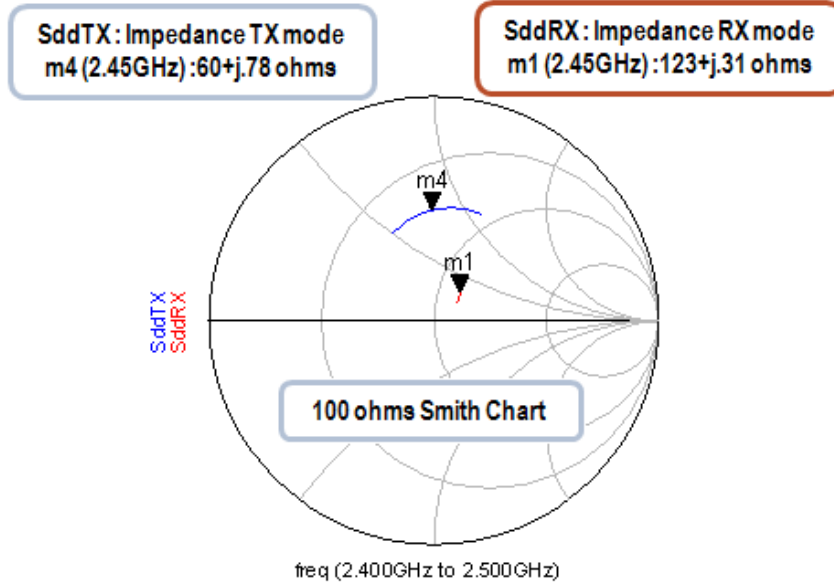


Figure 3. Transmit and Receive Differential Impedance (100 Ω Reference)

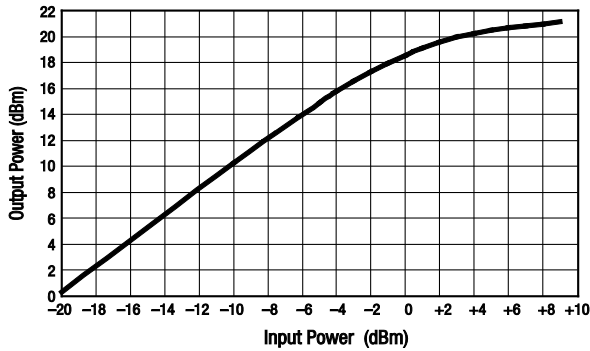


Figure 4. Output Power vs Input Power (f= 2.445 GHz, Vcc = 3.3 V, Tc = 25 °C)

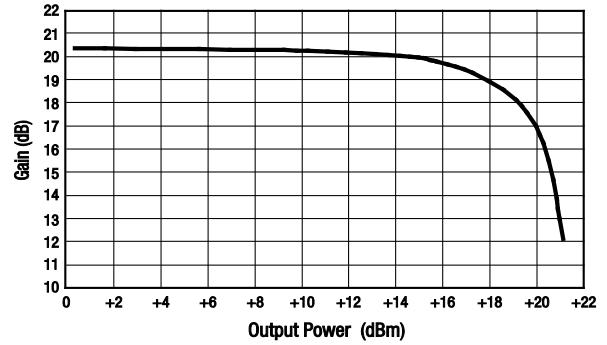


Figure 5. Transmit Gain vs Output Power (f= 2.445 GHz, Vcc = 3.3 V, Tc = 25 °C)

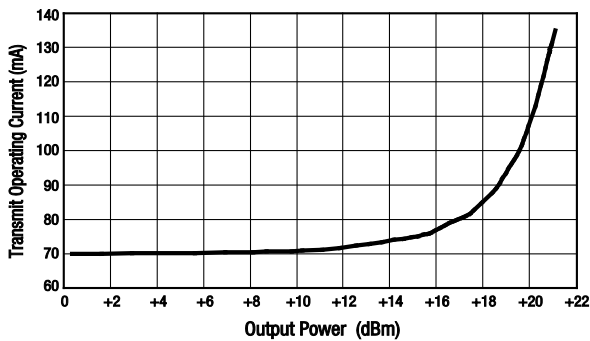


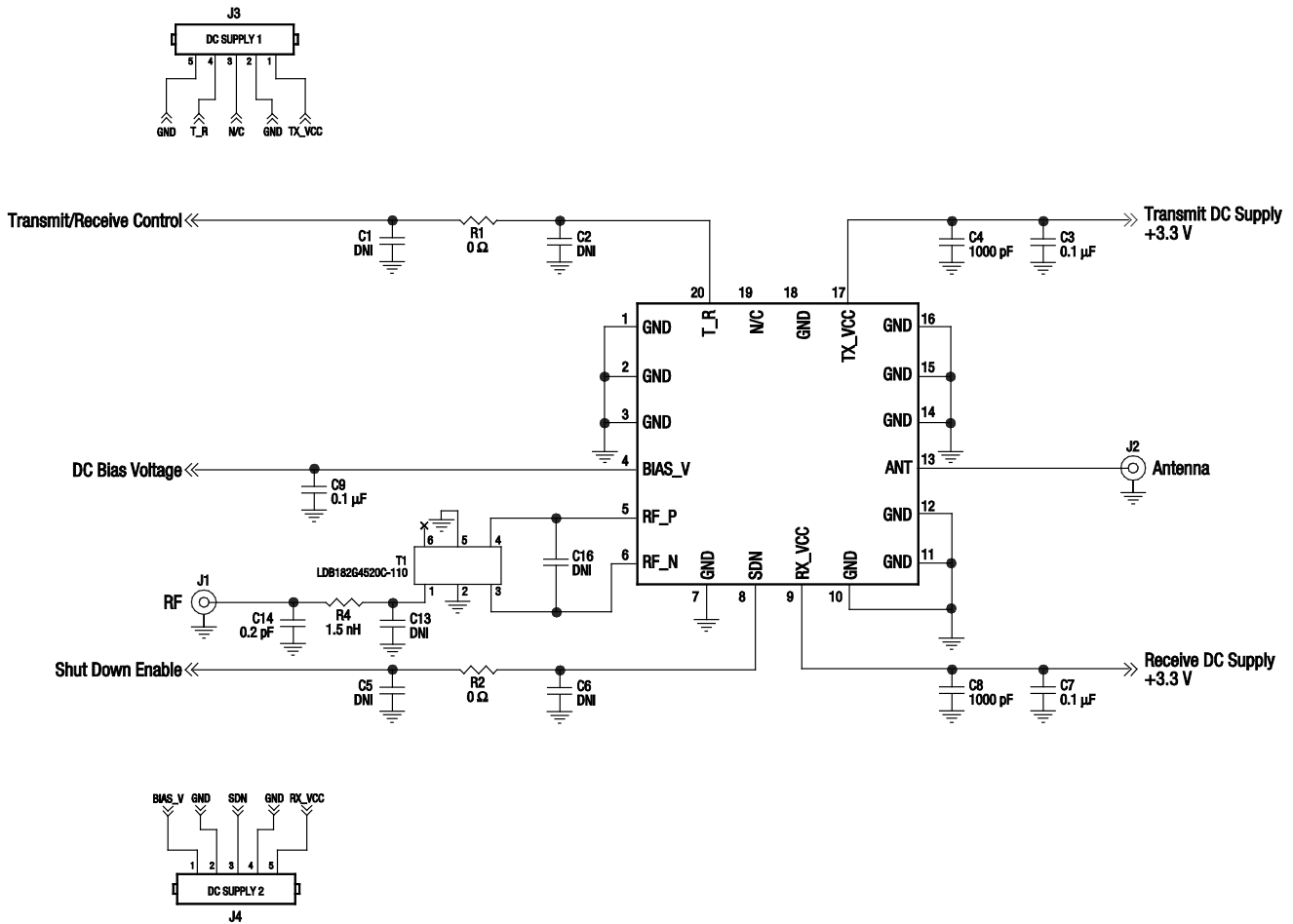
Figure 6. Transmit Operating Current vs Output Power (f= 2.445 GHz, Vcc = 3.3 V, Tc = 25 °C)

Evaluation Board Description

The SKY65352-11 Evaluation Board is used to test the performance of the SKY65352-11 FEM. The Evaluation Board schematic diagram is shown in Figure 7. An assembly drawing for the Evaluation Board is shown in Figure 8.

Package Dimensions

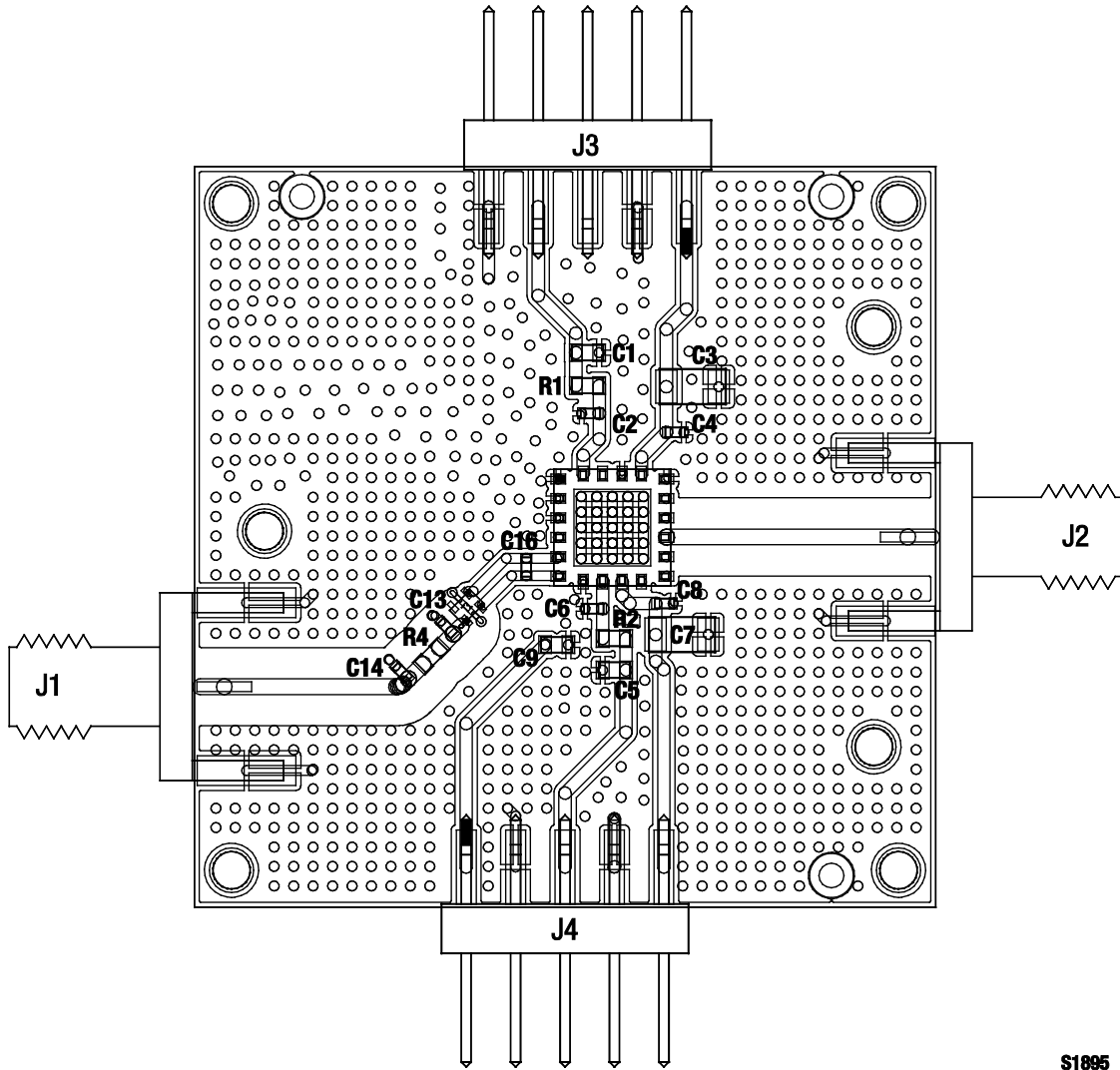
The phone board layout footprint for the SKY65352-11 is shown in Figure 9. Package dimensions for the 20-pin MCM are shown in Figure 10, and tape and reel dimensions are provided in Figure 11.



Note: Some component labels may be different than the corresponding component symbol shown here. Component values, however, are accurate as of the date of this Data Sheet.

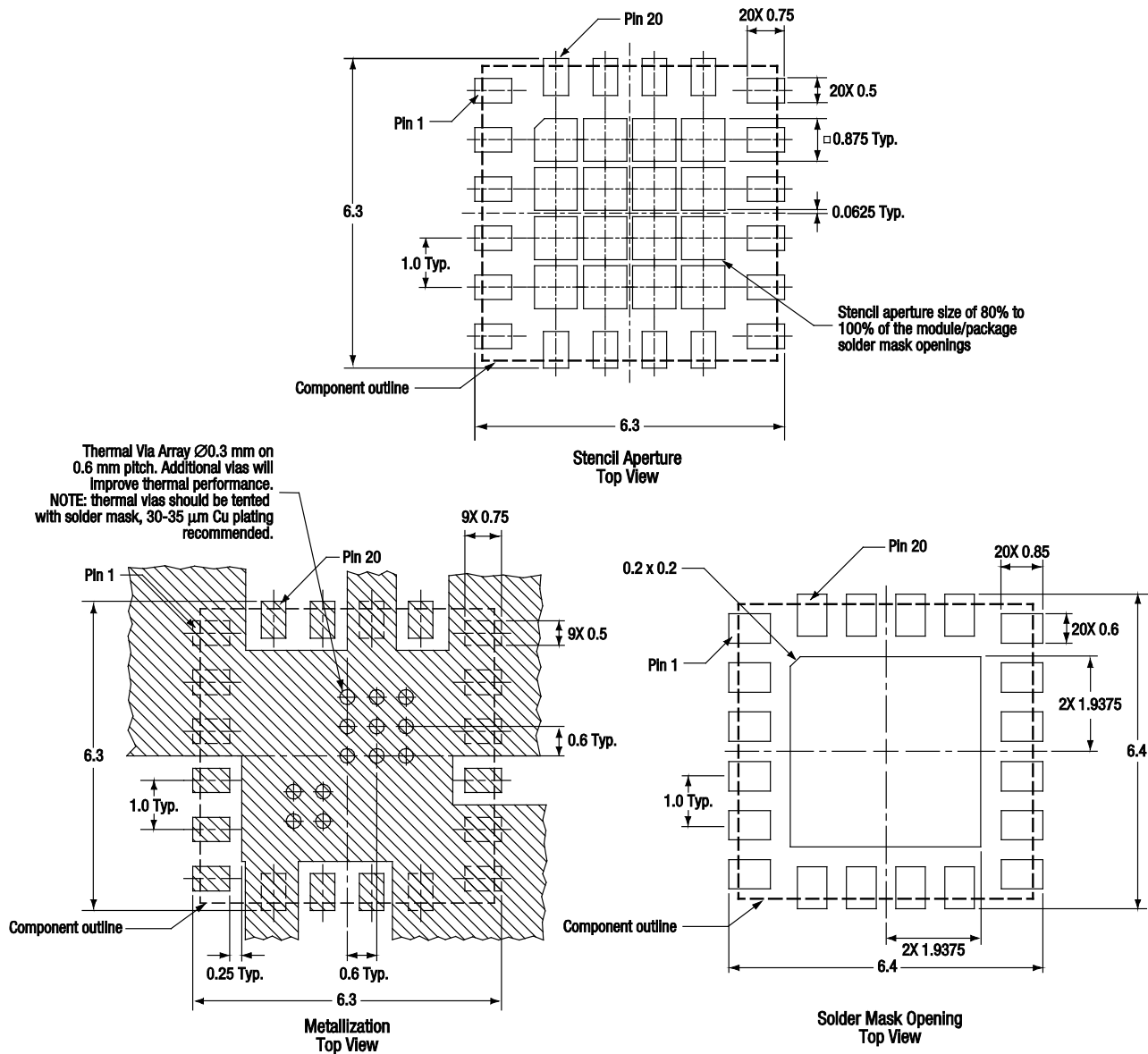
S1896

Figure 7. SKY65352-11 Evaluation Board Schematic



S1895

Figure 8. SKY65352-11 Evaluation Board Assembly Drawing



All measurements are in millimeters

S1789a

Figure 9. SKY65352-11 Phone Board Layout Footprint

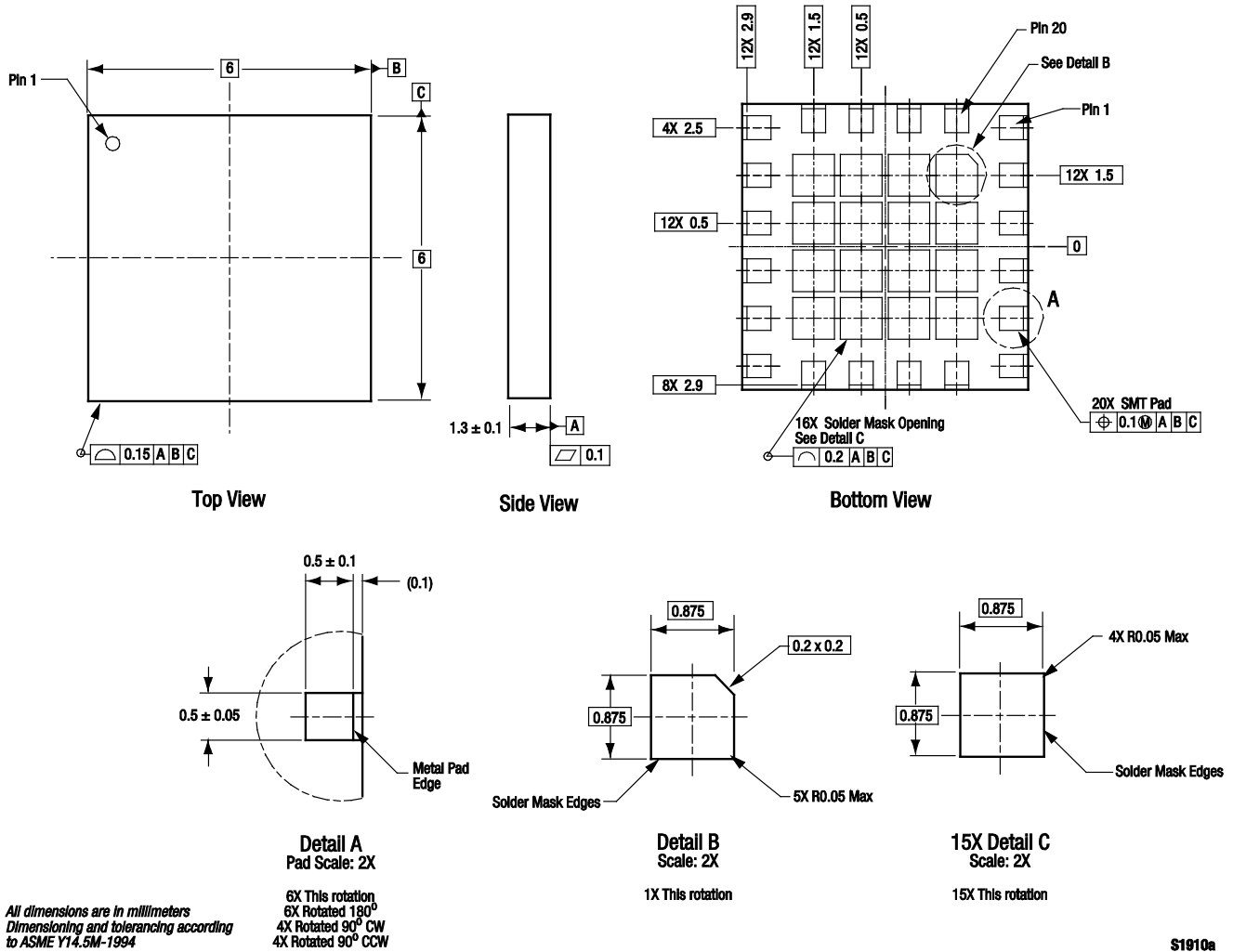
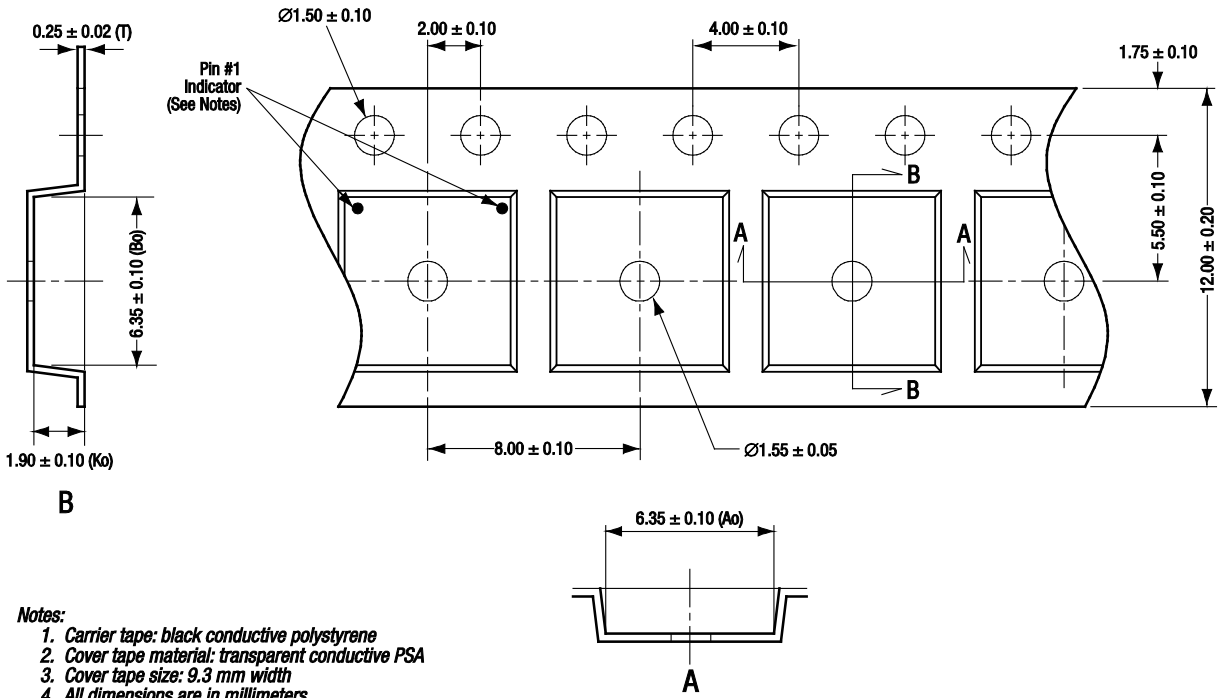


Figure 10. SKY65352-11 20-Pin MCM Package Dimensions



Notes:

1. Carrier tape: black conductive polystyrene
2. Cover tape material: transparent conductive PSA
3. Cover tape size: 9.3 mm width
4. All dimensions are in millimeters
5. Ao and Bo measurement point is 0.3 mm from bottom pocket
5. Pin 1 orientation is in top left corner for the following Skyworks products:

SKY65205-11
 SKY65208-11
 SKY65215-11

For all other 6 x 6 mm MCM/RFLGA products, pin 1 orientation is in top right corner.

S1786

Figure 11. SKY65352-11 20-Pin MCM Tape and Reel Dimensions

Ordering Information

| Model Name | Manufacturing Part Number | Evaluation Board Part Number |
|---|---------------------------|------------------------------|
| SKY65352-11 T/R Front-End Module with LNA | SKY65352-11 | TW18-D335 |

Copyright © 2010, 2011, 2012 Skyworks Solutions, Inc. All Rights Reserved.

Information in this document is provided in connection with Skyworks Solutions, Inc. ("Skyworks") products or services. These materials, including the information contained herein, are provided by Skyworks as a service to its customers and may be used for informational purposes only by the customer. Skyworks assumes no responsibility for errors or omissions in these materials or the information contained herein. Skyworks may change its documentation, products, services, specifications or product descriptions at any time, without notice. Skyworks makes no commitment to update the materials or information and shall have no responsibility whatsoever for conflicts, incompatibilities, or other difficulties arising from any future changes.

No license, whether express, implied, by estoppel or otherwise, is granted to any intellectual property rights by this document. Skyworks assumes no liability for any materials, products or information provided hereunder, including the sale, distribution, reproduction or use of Skyworks products, information or materials, except as may be provided in Skyworks Terms and Conditions of Sale.

THE MATERIALS, PRODUCTS AND INFORMATION ARE PROVIDED "AS IS" WITHOUT WARRANTY OF ANY KIND, WHETHER EXPRESS, IMPLIED, STATUTORY, OR OTHERWISE, INCLUDING FITNESS FOR A PARTICULAR PURPOSE OR USE, MERCHANTABILITY, PERFORMANCE, QUALITY OR NON-INFRINGEMENT OF ANY INTELLECTUAL PROPERTY RIGHT; ALL SUCH WARRANTIES ARE HEREBY EXPRESSLY DISCLAIMED. SKYWORKS DOES NOT WARRANT THE ACCURACY OR COMPLETENESS OF THE INFORMATION, TEXT, GRAPHICS OR OTHER ITEMS CONTAINED WITHIN THESE MATERIALS. SKYWORKS SHALL NOT BE LIABLE FOR ANY DAMAGES, INCLUDING BUT NOT LIMITED TO ANY SPECIAL, INDIRECT, INCIDENTAL, STATUTORY, OR CONSEQUENTIAL DAMAGES, INCLUDING WITHOUT LIMITATION, LOST REVENUES OR LOST PROFITS THAT MAY RESULT FROM THE USE OF THE MATERIALS OR INFORMATION, WHETHER OR NOT THE RECIPIENT OF MATERIALS HAS BEEN ADVISED OF THE POSSIBILITY OF SUCH DAMAGE.

Skyworks products are not intended for use in medical, lifesaving or life-sustaining applications, or other equipment in which the failure of the Skyworks products could lead to personal injury, death, physical or environmental damage. Skyworks customers using or selling Skyworks products for use in such applications do so at their own risk and agree to fully indemnify Skyworks for any damages resulting from such improper use or sale.

Customers are responsible for their products and applications using Skyworks products, which may deviate from published specifications as a result of design defects, errors, or operation of products outside of published parameters or design specifications. Customers should include design and operating safeguards to minimize these and other risks. Skyworks assumes no liability for applications assistance, customer product design, or damage to any equipment resulting from the use of Skyworks products outside of stated published specifications or parameters.

Skyworks, the Skyworks symbol, and "Breakthrough Simplicity" are trademarks or registered trademarks of Skyworks Solutions, Inc., in the United States and other countries. Third-party brands and names are for identification purposes only, and are the property of their respective owners. Additional information, including relevant terms and conditions, posted at www.skyworksinc.com, are incorporated by reference.