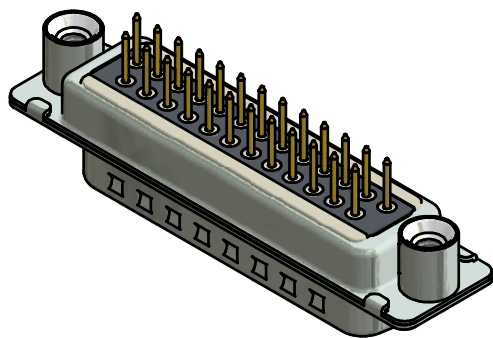
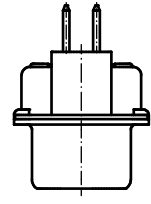
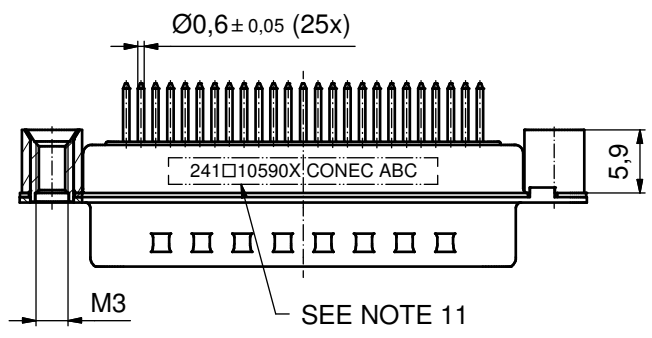
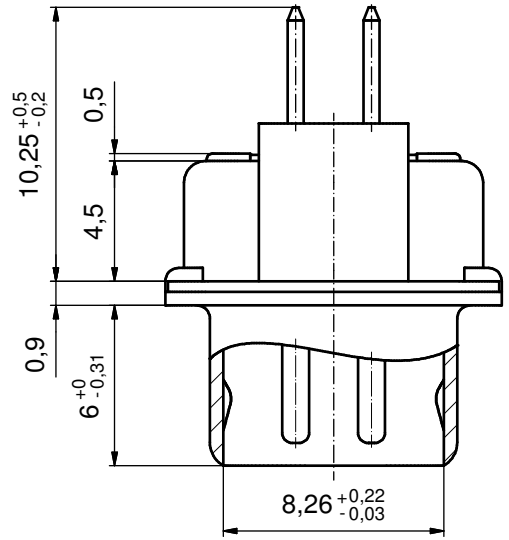
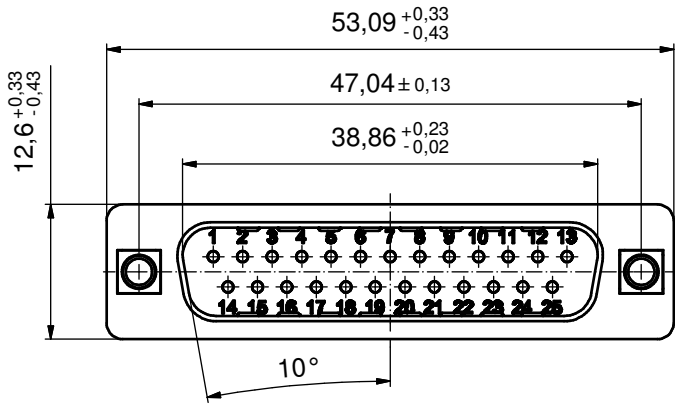


(5:1)



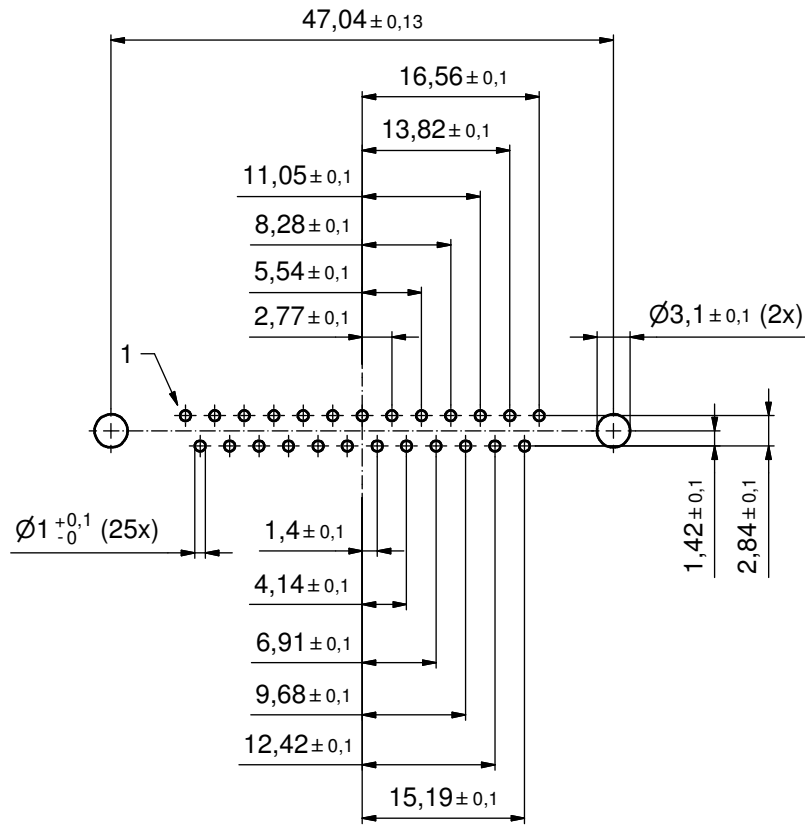
NOTES:

1. FOR WAVESOLDERING (SOLDER BATH TEMPERATURE 260 °C FOR 5 SEC. AND SOLDER PREHEAT 100 °C FOR 30 SEC.)
2. METALSHELLS: STEEL; min. 315µin TIN over 40-80µin NICKEL
3. INSULATOR: HIGH TEMPERATURE PLASTIC UL 94 V-0, BLACK
4. CONTACTS: COPPER ALLOY; PLATING (SEE PART NO.):
  - PLEASE ADD A for GOLD FLASH over NICKEL (PREFERRED TYPE)
  - PLEASE ADD B for 20µin HARD GOLD over min. 50µin NICKEL
  - PLEASE ADD C for 30µin HARD GOLD over min. 50µin NICKEL
- CONTACT TAILS PRETINNED
5. THREADED REAR SPACERS:
  - COPPER ALLOY; min. 200µin TIN over 80µin NICKEL
6. SLEEVES: COPPER ALLOY; min. 200µin TIN over 80µin NICKEL
7. P.C.B. HOLE DRILLINGS ON SHEET 2
8. CAPACITANCE: 830pF ± 20%
9. DIELECTRIC WITHSTANDING VOLTAGE: 424 VDC
10. MAXIMUM TORQUE VALUE FOR THREAD: 6 in.LB
11. CONNECTOR IS PART MARKED: 241□10590X CONEC ABC (see note 4)

Directive 2002/95/EC RoHS compliant

THIS DRAWING MAY NOT BE COPIED OR REPRODUCED IN ANY WAY, AND MAY NOT BE PASSED ON TO A THIRD PARTY WITHOUT WRITTEN PERMISSION. OWNERSHIP AND COPYRIGHT OF CONEC GmbH  DO NOT ALTER CAD DRAWING BY HAND	tolerance		dim. in mm	scale: 2:1 (5:1)		
				material: SEE NOTES		
	date	name		title: <b>D-SUB C-FILTER MALE</b> 25pos. SOLDER PIN STRAIGHT with threaded rear spacer		
	drawn	07.10.14	Henneboel			
	appd.	07.10.14	Lehmenkühler			
	norm					
	d-old			dwg no:		
	a	Original			DIN-A3	
	rev.	description			date	name
	part no:		241□10590X		(see note 4)	

P.C.B. HOLE DRILLINGS  
(P.C.B. TOP SIDE)



THIS DRAWING MAY NOT BE COPIED OR REPRODUCED IN ANY WAY, AND MAY NOT BE PASSED ON TO A THIRD PARTY WITHOUT WRITTEN PERMISSION. OWNERSHIP AND COPYRIGHT OF CONEC GmbH DO NOT ALTER CAD DRAWING BY HAND				tolerance		scale: 2:1		
				date	name	material: SEE SHEET 1		
				drawn	07.10.14	Henneboel	title: <b>P.C.B. HOLE DRILLINGS</b> D-SUB C-FILTER MALE 25pos. SOLDER PIN with threaded rear spacer	
				appd.	07.10.14	Lehmenkühler		
				norm				
				d-old				
	a	Original		<b>CONEC</b> <sup>®</sup>			dwg no:	DIN-A3
	rev.	description	date				name	24K1A1555
							part no: SEE SHEET 1	