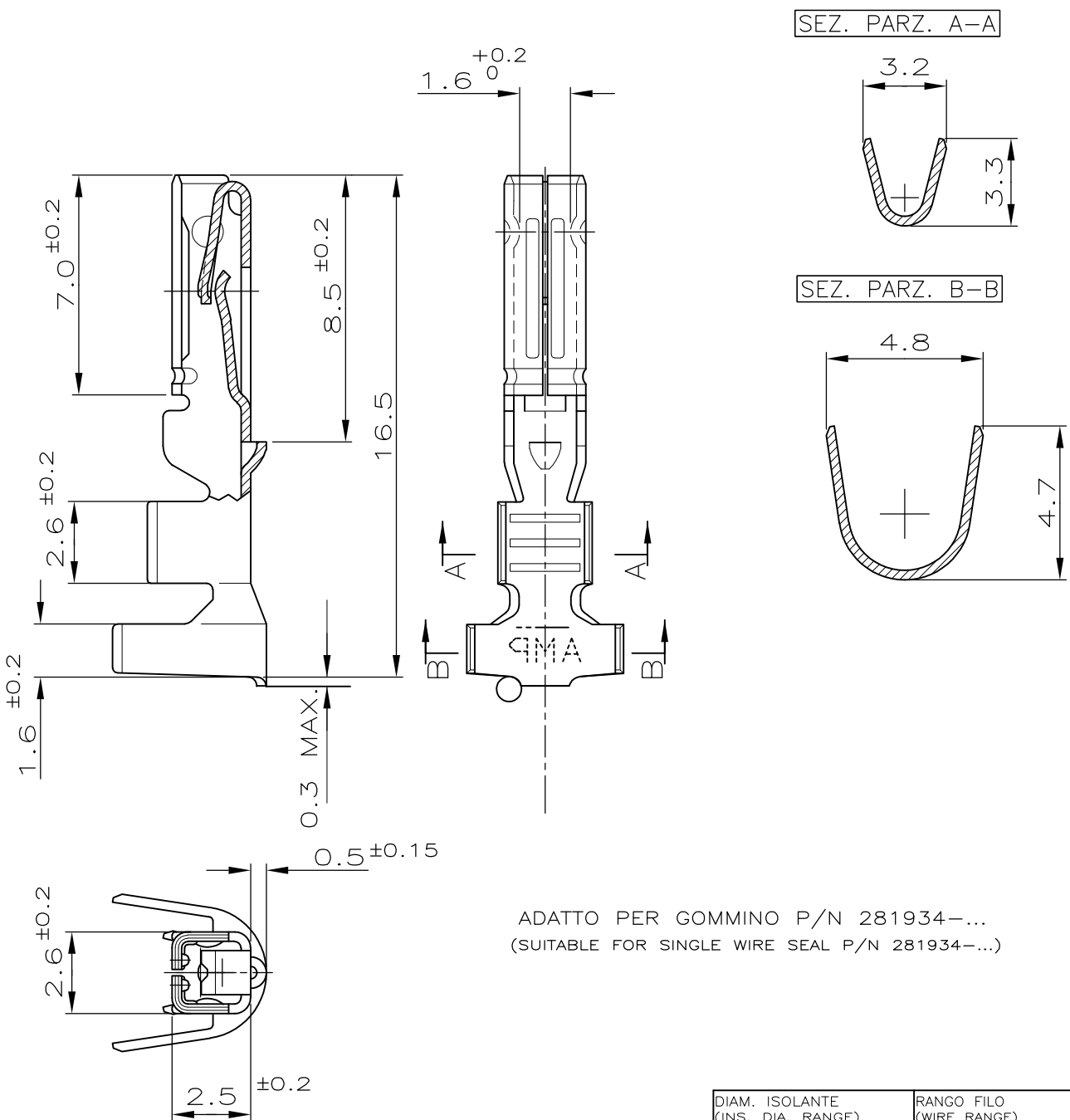


METRIC

LOC	DIST	REVISIONS					
I	—	P	LTR	DESCRIPTION	DATE	DWN	APVD
		C3		REVISED PER ECO-11-005033	11MAR11	RK	HMR



ADATTO PER GOMMINO P/N 281934-...
(SUITABLE FOR SINGLE WIRE SEAL P/N 281934-...)

DIAM. ISOLANTE (INS. DIA. RANGE) VED. NOTA	RANGO FILO (WIRE RANGE) 0.75-1.5mm ²
--	---

CUSTOMER DWG. FOR REFERENCE ONLY	PRE-STAGNATO (PRE-TINNED)	BRONZO FOSFOROSO (PH.BRONZE)	(RICAVATO DA 282110-1) (MADE FROM 282110-1) 183025-1
	FINITURA / COLORE (FINISH / COLOUR)	MATERIALE (MATERIAL)	NUMERO (PART NUMBER)

DIMENSIONS: mm	DWN Bassano 9 NOV.90	MATERIAL	FINISH		
	CHK Bertini 9 NOV.90	TE Connectivity			
TOLERANCES UNLESS OTHERWISE SPECIFIED:	APVD				
0 PLC ± -	PRODUCT SPEC	NAME (LOOSE PIECE VERSION) MINI MIC SRS REC. CONTACT			
1 PLC ± 0.3	APPLICATION SPEC				
2 PLC ± -	WEIGHT	SIZE A4	CAGE CODE 00779	DRAWING NO C-183025	RESTRICTED TO
3 PLC ± -		CUSTOMER DRAWING			
4 PLC ± -		SCALE 5:1	SHEET 1 OF 1	REV C3	
ANGLES ± 2°					

THIS DRAWING IS UNPUBLISHED. ALL RIGHTS RESERVED.