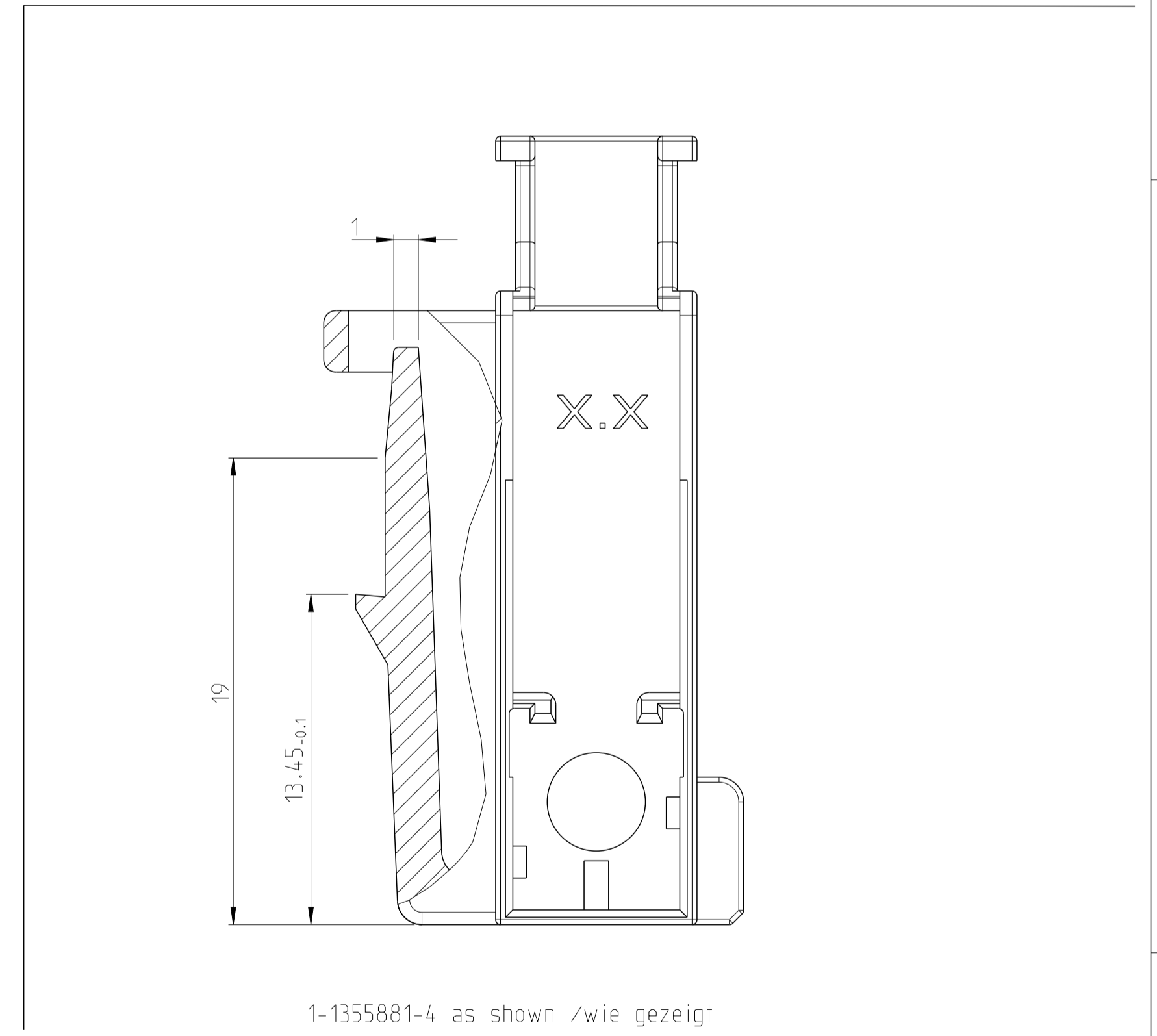
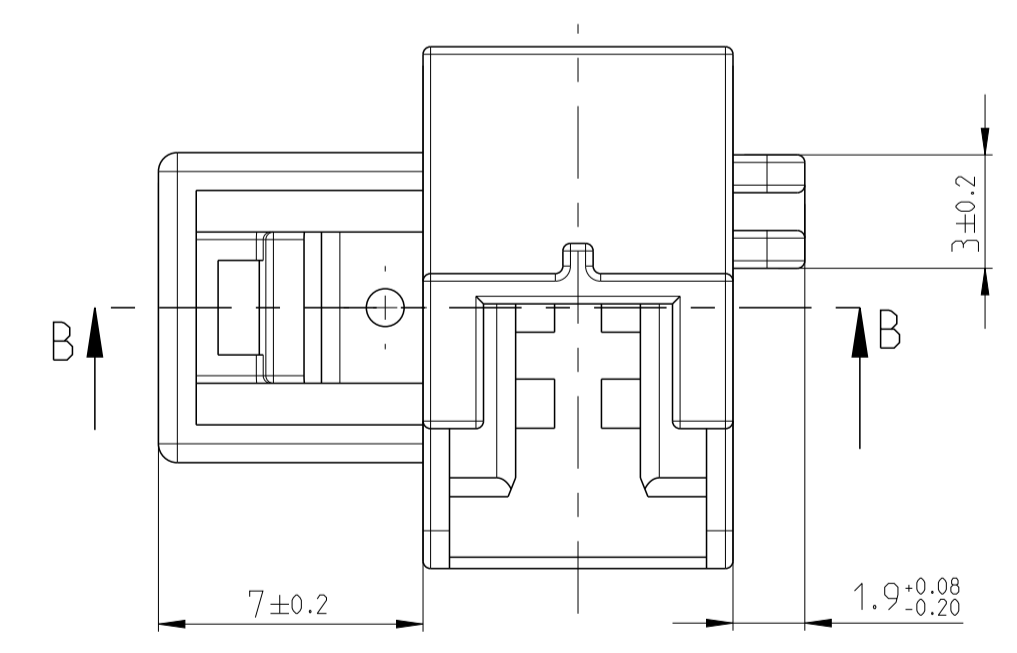
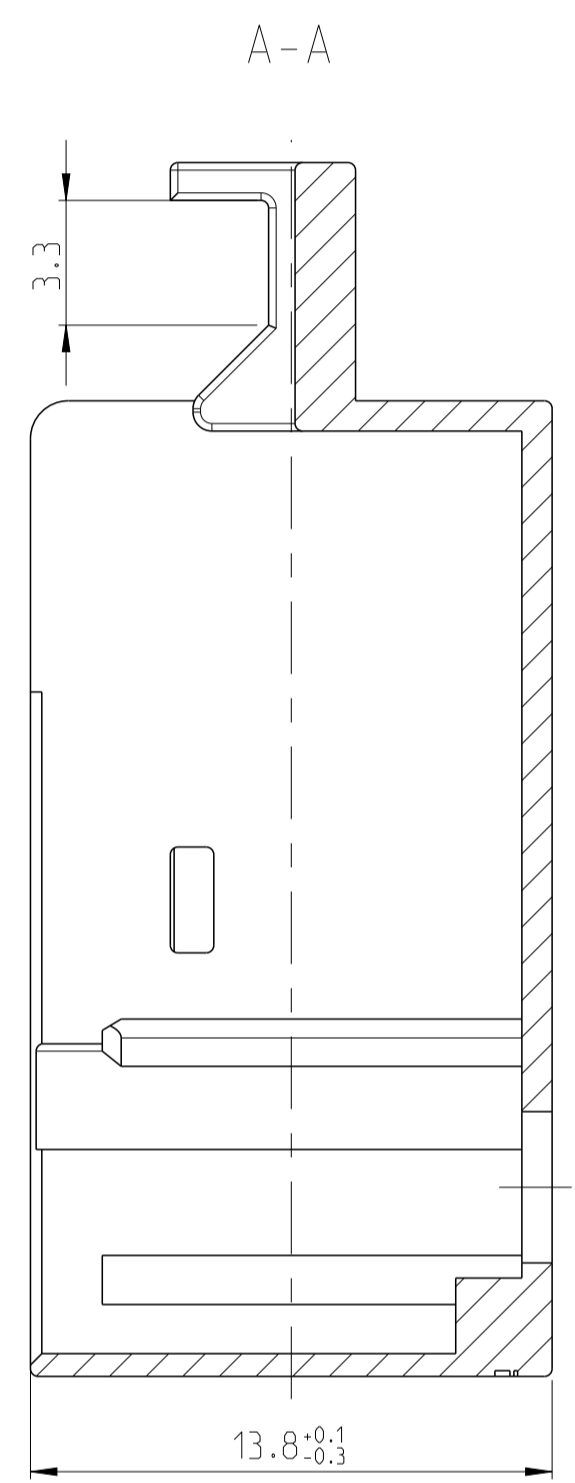
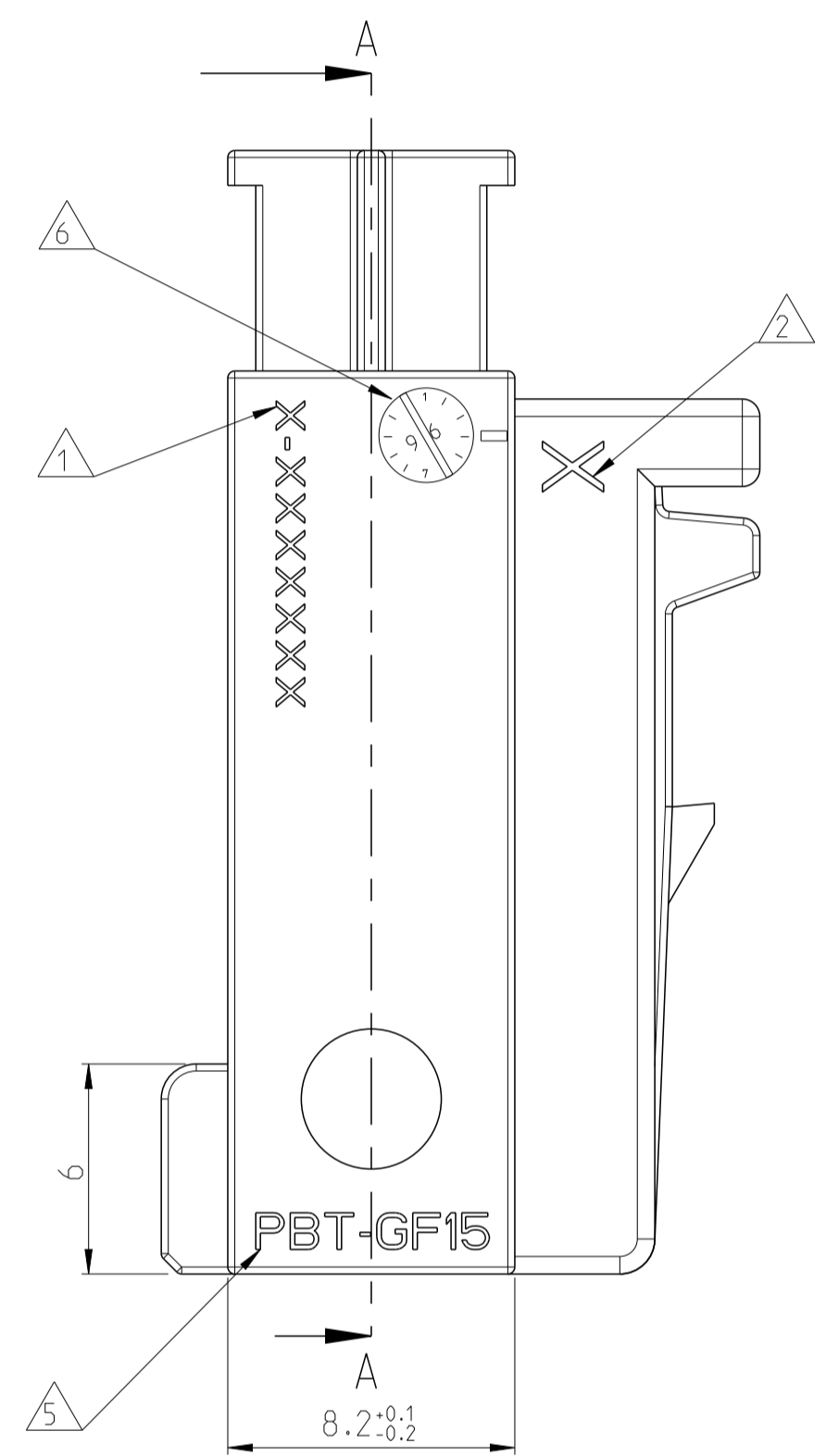
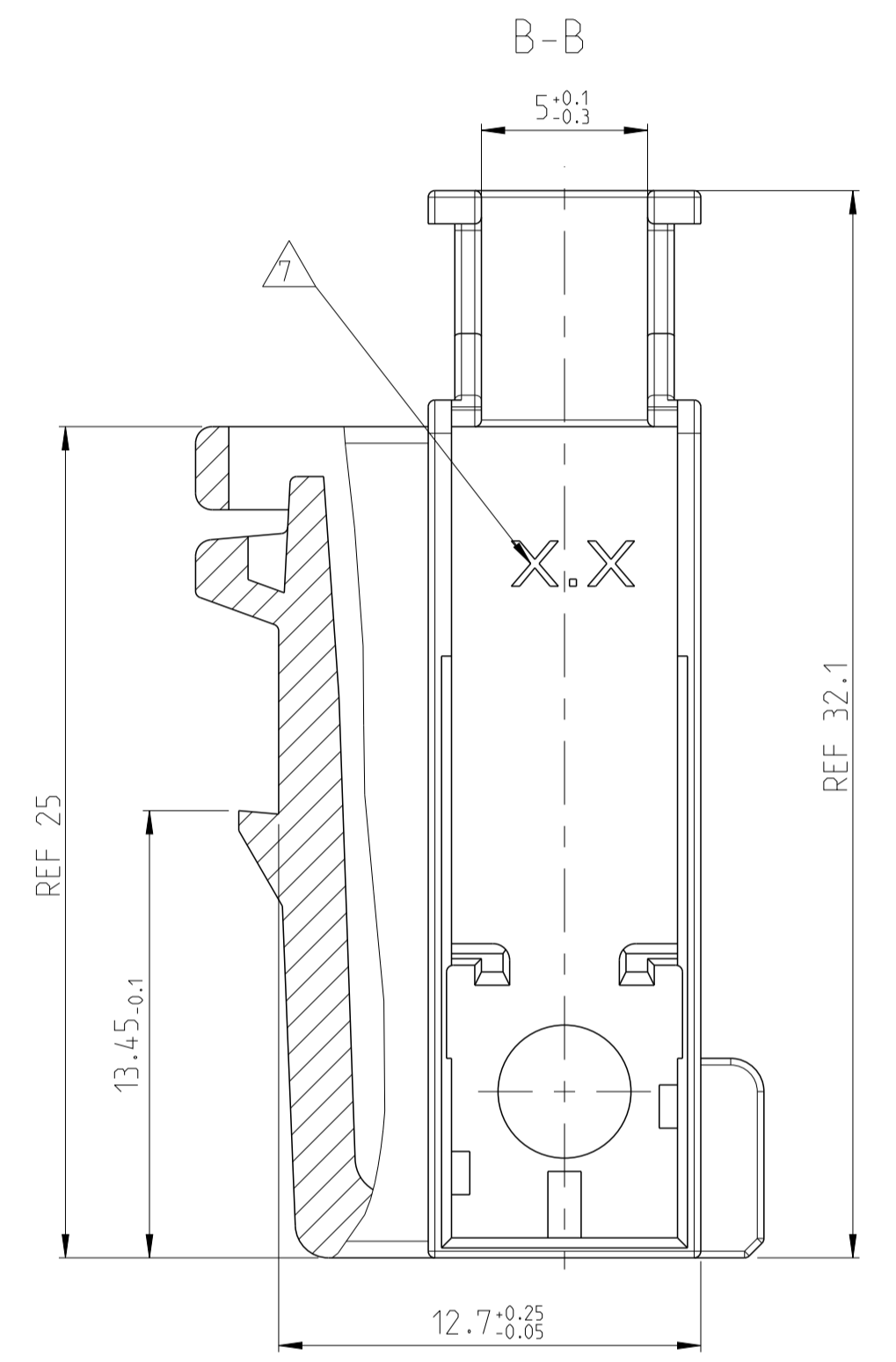
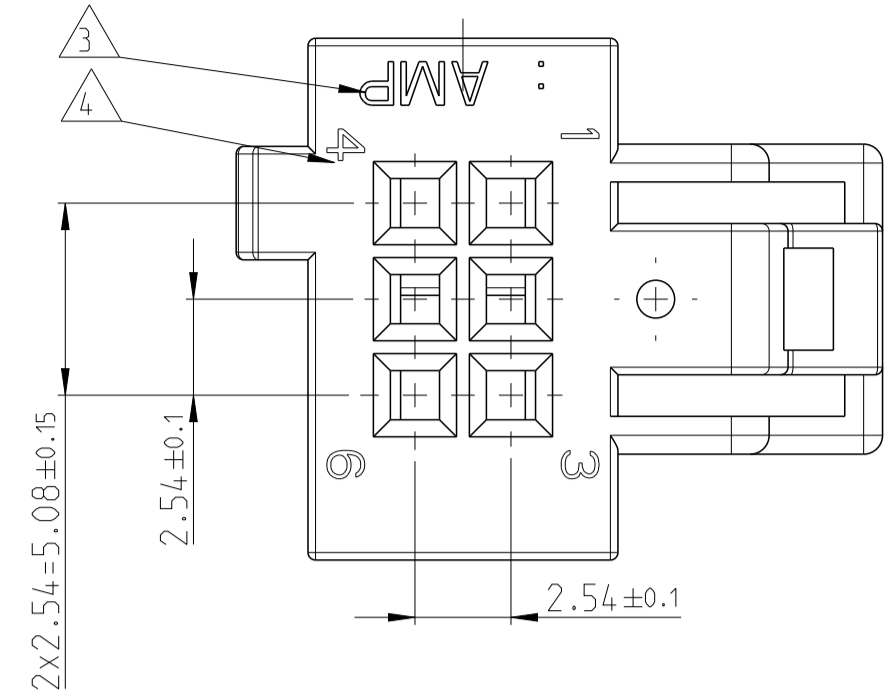


Project No.: PRJ-11-5807		LOC	DIST	REVISIONS			
P	LTN	DESCRIPTION	DATE	DWN	APVD		
A2		SEE E-12-020238	21NOV2012	SK	RH		



- NOTES
BEMERKUNGEN
- NV NOTE NOT VALID
Bemerkung nicht verwendet
 - 1 ORDER NUMBER
BESTELL-NUMMER
 - 2 REVISION NUMBER
WERKZEUGAENDERUNGSINDEX
 - 3 TE LOGO
 - 4 CONTACT CAVITY NUMBER
KONTAKTKAMMERNUMMER
 - 5 MATERIAL MARKING
WERKSTOFFKENNZEICHNUNG
 - 6 PRODUCTION DATE
PRODUKTIONSdatum
 - 7 TOOL CAVITY MARKING
NESTMARKIERUNG
 - 8 PACKAGING: BULK MATERIAL IN CARDBOARD BOX
VERPACKUNG: SCHUETTIGUT IN KARTON

QTY	TE ORDER NO	TE BESTELLNUMMER	REV	DESCRIPTION	MATERIAL	SURFACE COLOR	WEIGHT	ITEM NO
	1-1355881-4		A	SHIELD, 6WAY MQS	PBT-GF15	NATURE	1.6	4
	0-1355881-3		A	SHIELD, 6WAY MQS	PBT-GF15	WHITE	1.6	3
	0-1355881-2		A	SHIELD, 6WAY MQS	PBT-GF15	BLUE	1.6	2
	0-1355881-1		A	SHIELD, 6WAY MQS	PBT-GF15	BLACK	1.6	1

1355881-1 as shown /wie gezeigt

114-18659	-	-						
INTERFACE SPEC	GM-Abbreviation	BENENNUNG DESCRIPTION						
MATED WITH	Passend zu							

THIS DRAWING IS A CONTROLLED DOCUMENT. DIMENSIONING AND TOLERANCING PER GPS (ISO STANDARDS). TOLERANCES UNLESS OTHERWISE SPECIFIED:

DIMENSIONS:	mm	0 PLC ±0.3	1 PLC ±0.3	2 PLC ±0.3	3 PLC ±0.3	4 PLC ±0.3	ANGLES ±0.1
-------------	----	------------	------------	------------	------------	------------	-------------

Customer Drawing

SCALE 5:1 SHEET 1 OF 1 REV. A2



NAME SHIELD FOR 6 POS. MQS SOCKET HOUSING 6 pol. MQS Griffschale