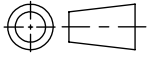
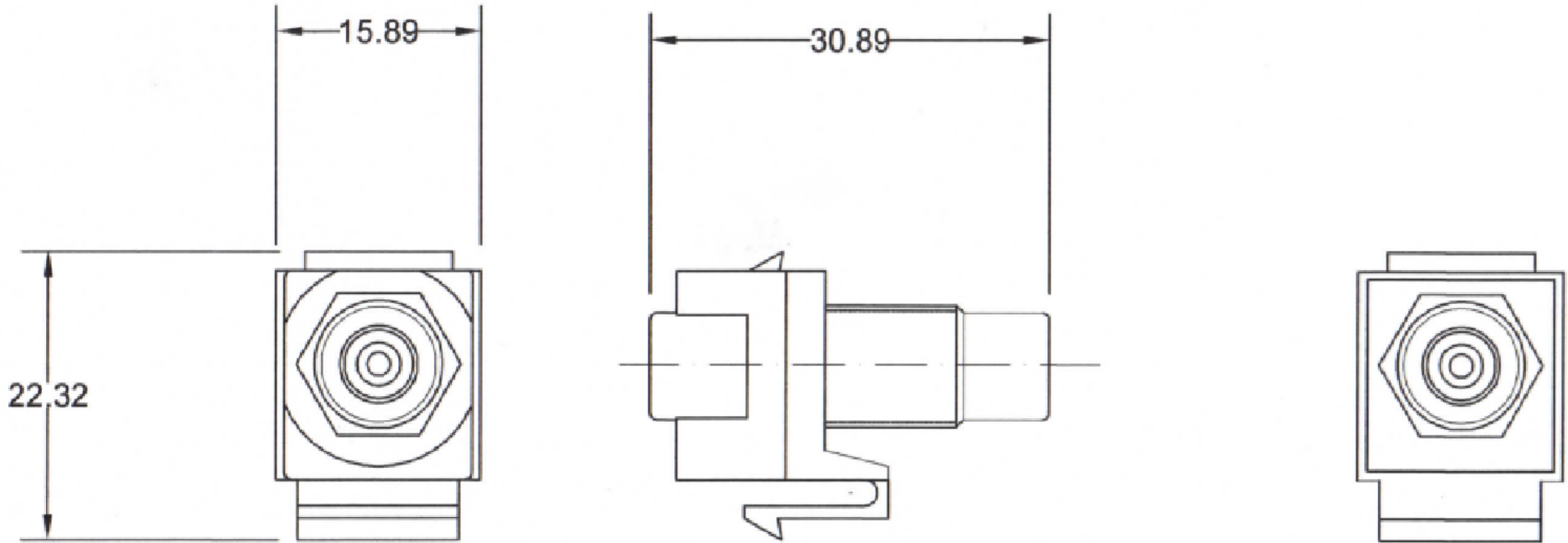


SW2014



| Revision level | | | Revision Record | Changed | Date | Approved | Date |
|----------------|----------------|------|-----------------|---------|-----------|----------|-----------|
| Drawing | State | Part | | | | | |
| A.0 | In Work | | SEE ECN# 013161 | SNH | 6/19/2015 | KAC | 6/19/2015 |



Material
ABS UL94V-0, BRASS
AND NICKEL FINISH

Units: **millimeters**
Dimension without
tolerances details to:
.xxx = ±.013
.xx = ±.13
.x = ±.3
None = ±.8
∠ = ±0.5°
Dimension Formatted mm/[in]

The copyright of this
drawing is reserved by
HellermannTyton. It is
issued on condition that it is
not reproduced, copied, or
disclosed to a third party,
either wholly or in part,
without the consent of
HellermannTyton.

| | | |
|----------|-----|-----------|
| Drawn | SNH | 6/19/2015 |
| Approved | KAC | 6/19/2015 |

HellermannTyton
North America
Email: corp@htamericas.com
Web: www.hellermann.tyton.com

| | | | |
|-----------------|---|----------------|-------------|
| Article/Type-No | RCAINSERT | Scale | 1:1 |
| Title | RCA COUPLER MODULE WITH BLACK STRIPE | Project Number | PRP 15-0391 |
| Drawing-No | 15-0391-001-CSU | Format | AH |
| | | Sheet | 1/1 |