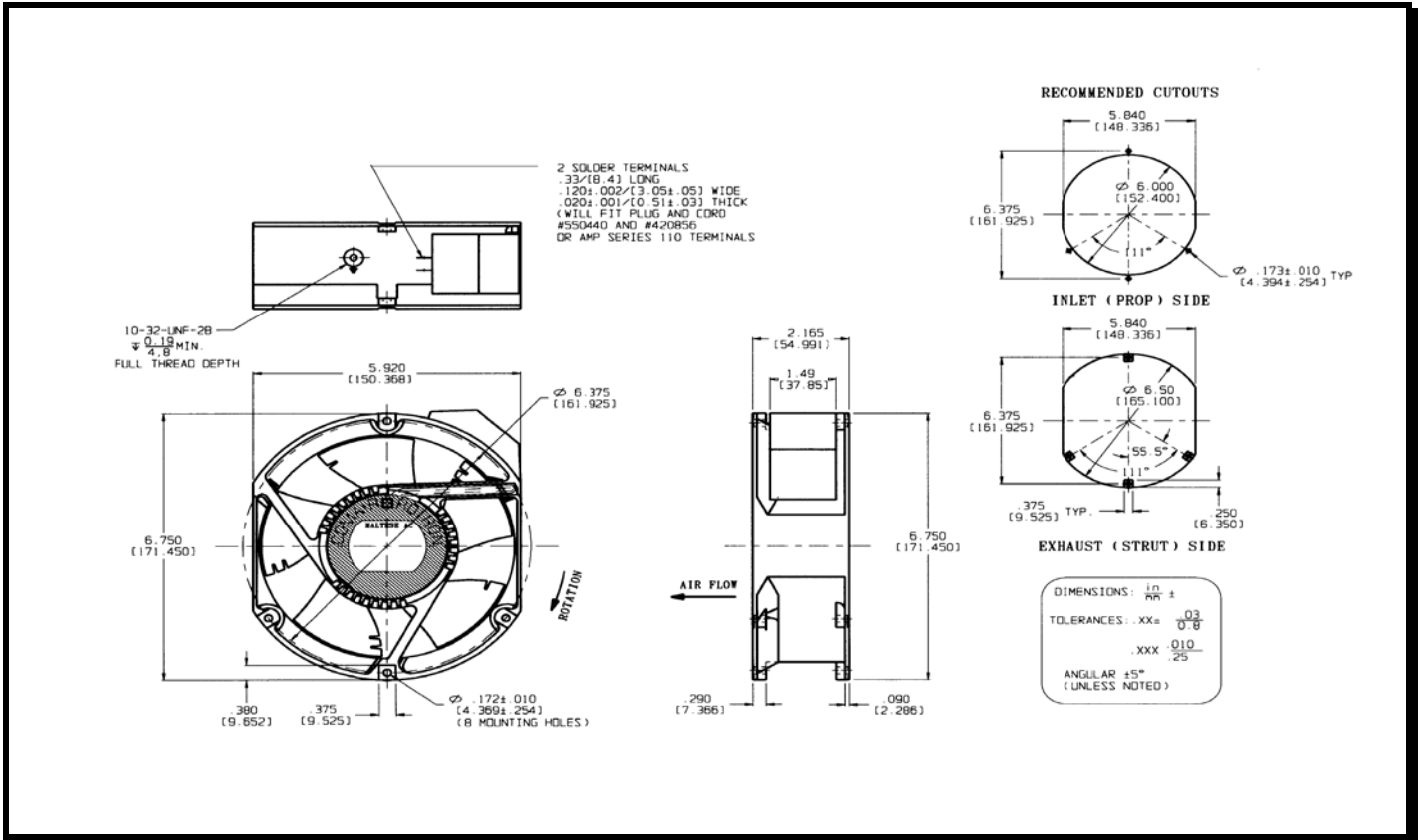


SPECIFICATIONS



Model Number: MA77B3
Part Number: 031844

December 10, 2012



Motor:

Nominal Voltage = 230 VAC
 Frequency = 50 / 60 Hz
 Nominal Running Current = 0.200 / 0.180 Amps
 Max. Locked Rotor Current = 0.420 / 0.360 Amps
 Running Power = 40.5 / 41.4 Watts
 Average Speed = 2850 / 3400 RPM
 Bearings = Ball
 Air Flow = 250 / 300 CFM
 Acoustic = 54/ 59 dBA

Construction:

Venturi: Single piece Die-Cast Aluminum, Black
 Propeller: Polycarbonate, Black, UL 94V-0.

Life Expectancy:

This fan is designed for continuous duty life of 53,000 hours at 40°C.

Additional Features:

Permanent Split Capacitor Motor
 Automatic Reset Thermal Protector
 Feathered Edge Propeller
 Operating Temperature: -10°C to 70°C
 Storage Temperature: -40°C to 85°C

Termination:

2 Terminals

Agency Approvals:

UL, CUL, CE