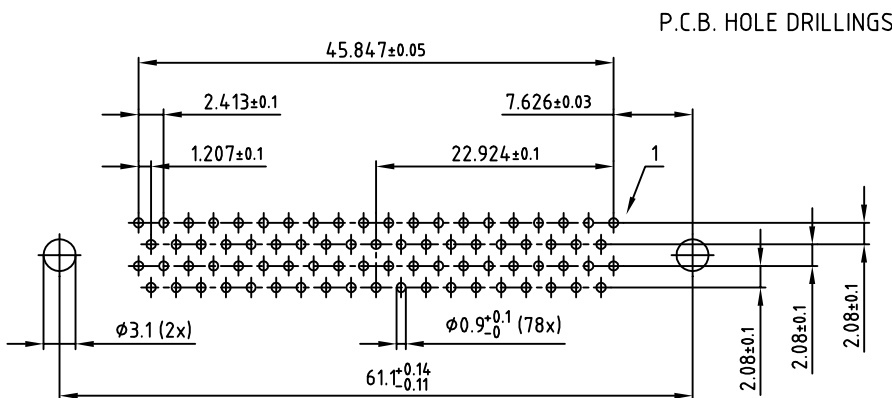
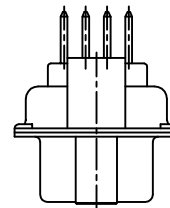
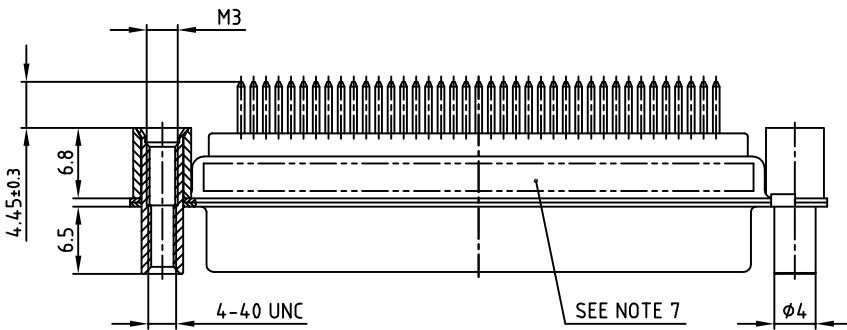
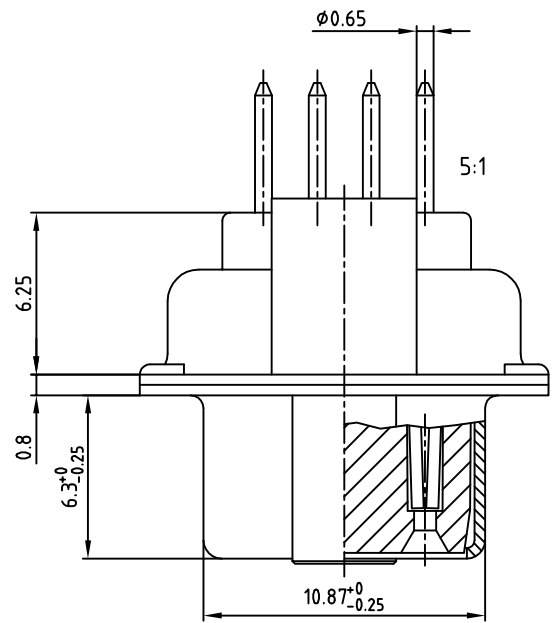
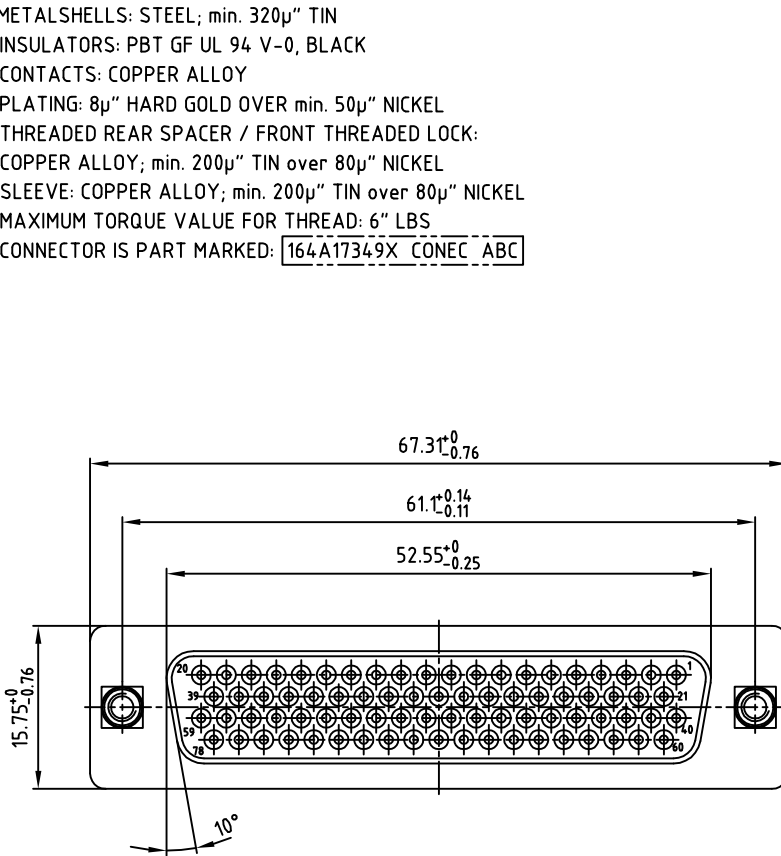


NOTES:

1. METALSHELLS: STEEL; min. 320µ" TIN
2. INSULATORS: PBT GF UL 94 V-0, BLACK
3. CONTACTS: COPPER ALLOY  
PLATING: 8µ" HARD GOLD OVER min. 50µ" NICKEL
4. THREADED REAR SPACER / FRONT THREADED LOCK:  
COPPER ALLOY; min. 200µ" TIN over 80µ" NICKEL
5. SLEEVE: COPPER ALLOY; min. 200µ" TIN over 80µ" NICKEL
6. MAXIMUM TORQUE VALUE FOR THREAD: 6" LBS
7. CONNECTOR IS PART MARKED: 164A17349X CONEC ABC

used for: D-SUB HD



6190HS\_Compliant\_gruss\_0001.jpg

APPROVAL * FREIGABE * DEBLOCAGE * AUTORIZACION * APPROVAL	
CUSTOMER APPROVAL DATE:	
NAME:	TITLE:
COMPANY NAME:	
APPROVAL * FREIGABE * DEBLOCAGE * AUTORIZACION * APPROVAL	

THIS DRAWING MAY NOT BE COPIED OR REPRODUCED IN ANY WAY, AND MAY NOT BE PASSED ON TO A THIRD PARTY, WITHOUT WRITTEN PERMISSION. OWNERSHIP AND COPYRIGHT OF CONEC Gmbh DO NOT ALTER CAD DRAWING BY HAND

rev.	description	date	name

tolerance			 dim. in mm
2005	date	name	
drawn	22.12.	Lehmenkühler	
appd.	22.12.	Mickenbecker	
norm	DIN 41652		
d-old			

scale:	2:1 (5:1)	
material:	SEE NOTES	
title:	D-SUB HD FEMALE 78pos. SOLDER PIN STRAIGHT threaded rear spacer and front threaded lock	
dwg no:	AutoCAD 2004	DIN-A
part no:	16K1A1592	3
		sh: 1/1