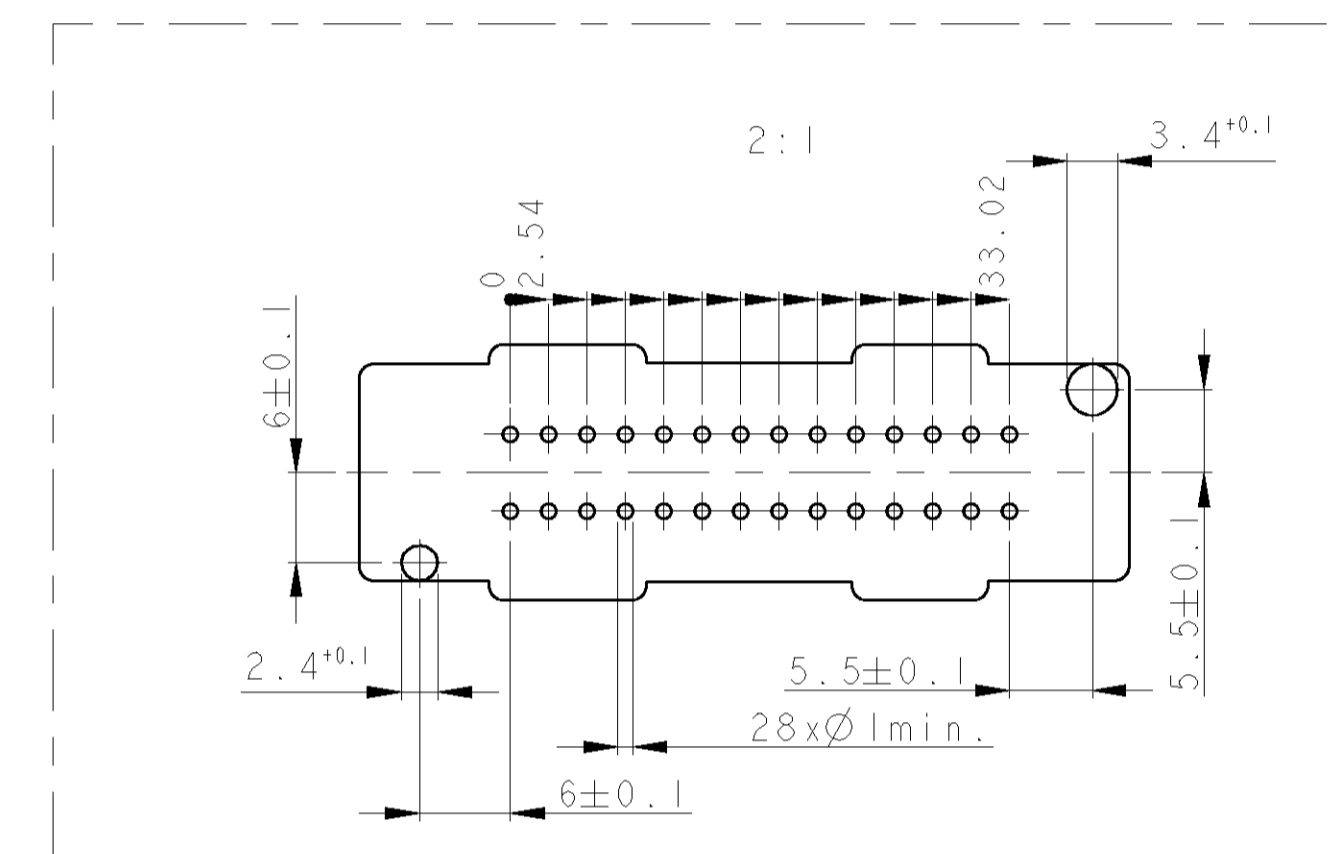
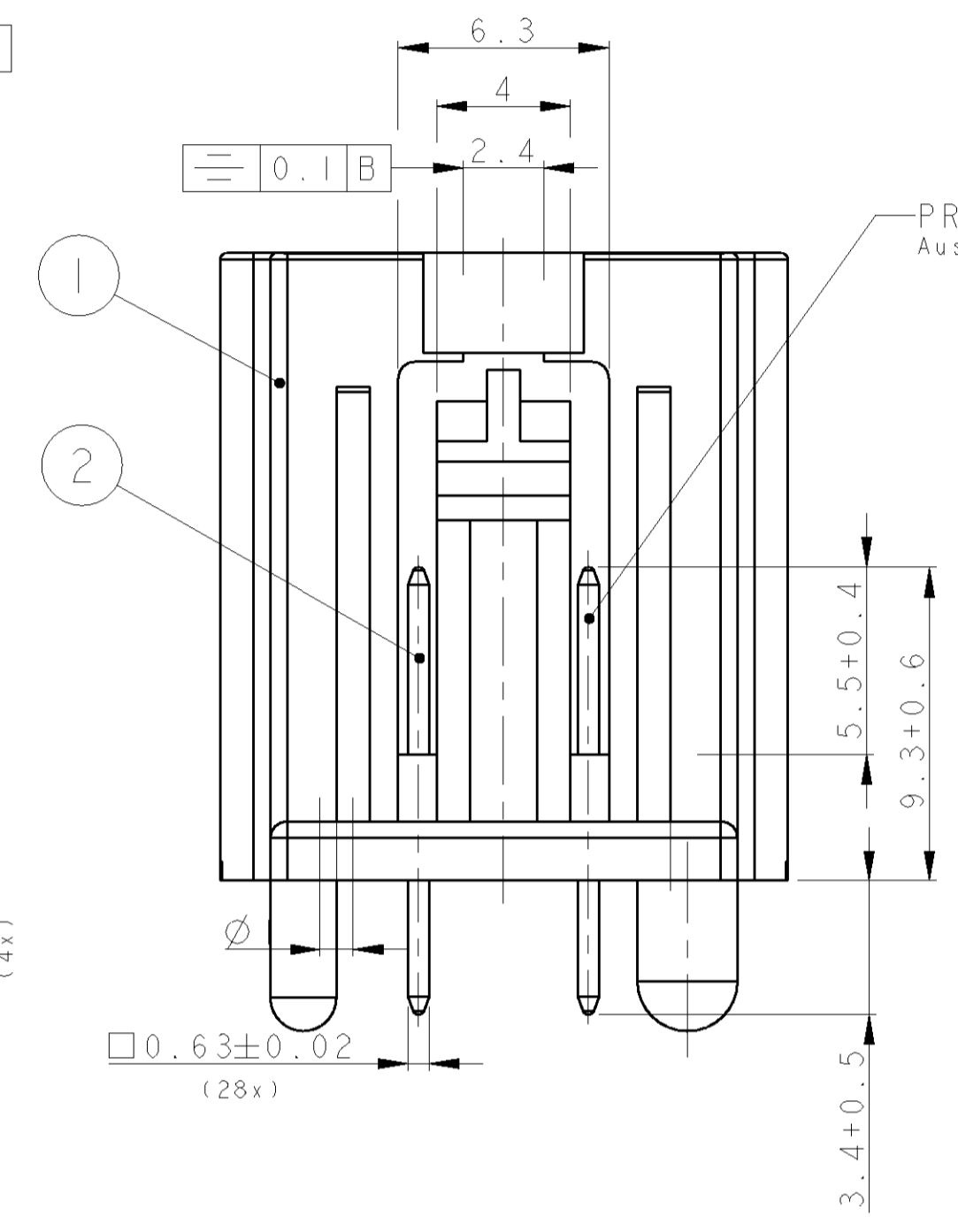
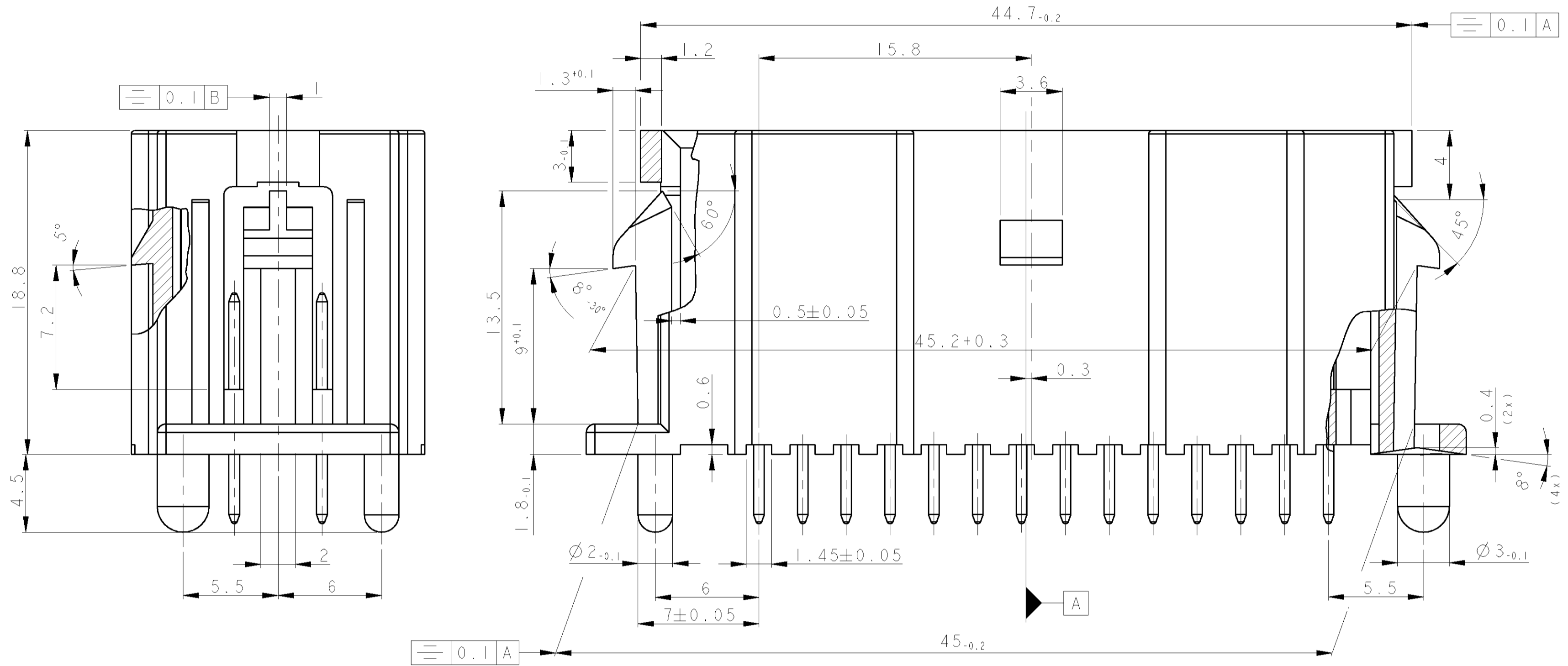
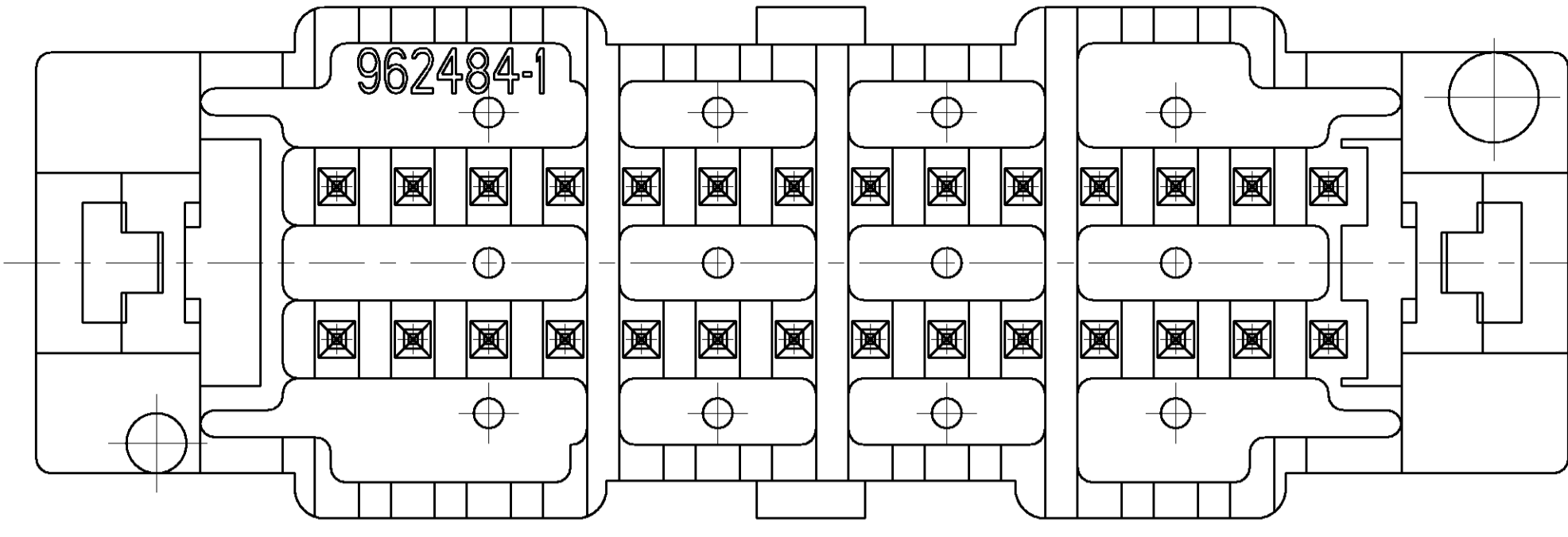


LOC	DIST	REV	DATE	BY	CHK	APVD
A1	-	C	12.09.94	A.L.	-	-
PROJECT NO.: 87-9018-6		C1	06.03.00	EP	LW	-
		C2	1FEB10	KK	HMR	-
		C3	11JUL11	KK	HMR	-

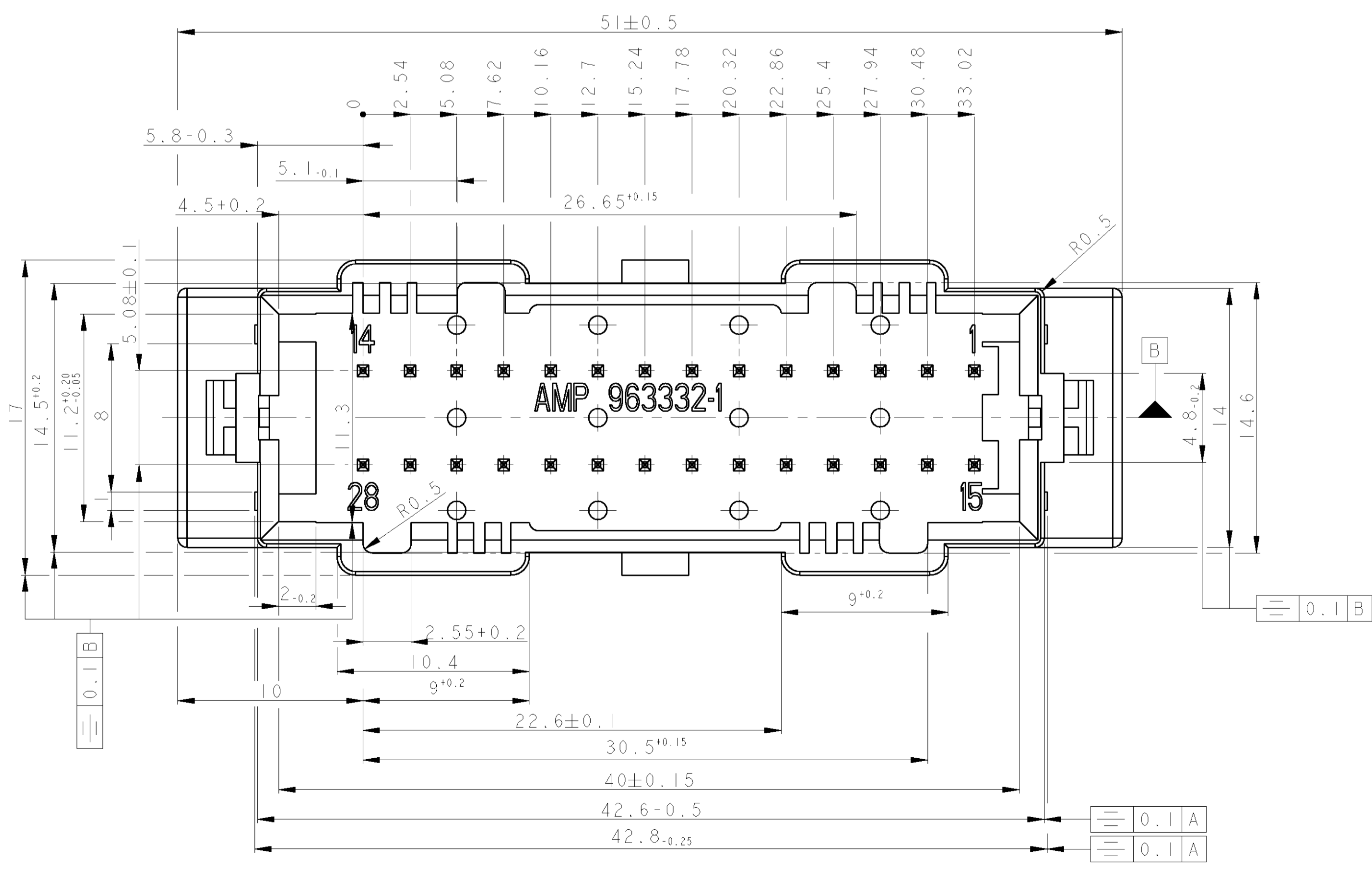


NOTES
 Bemerkungen

1 RECOMMENDATION HOLE-Ø FOR PRINTED CIRCUIT BOARD
 Empfohlene Leiterplatten-Bohr Ø

2 SEE FROM SOLDER SIDE
 Gesehen von der Lötseite

3 OBSOLETE PARTS: OBSOLETE CIS STREAMLINING PER D.RENAUD/D.SINISI



REV	PCS.	MATERIAL	SURFACE COLOR	DESCRIPTION	ITEM NO.
0-963332-2	C	28 CuSn 6	PRE-TIN PLATED vorverzinkt	PIN HOUSING Stiftwanne	2
1		PA6 M30	BLACK schwarz	PIN HOUSING Stiftwanne	1
0-963332-1	C	28 CuSn 6	PRE-TIN PLATED vorverzinkt	PIN Stift	2
1		PA6 GV30	BLACK schwarz	PIN HOUSING Stiftwanne	1

TE PART NO	REV	PCES.	MATERIAL	SURFACE COLOR	DESCRIPTION	ITEM NO.
0-963332-2	C	28	CuSn 6	PRE-TIN PLATED vorverzinkt	PIN HOUSING Stiftwanne	2
1			PA6 M30	BLACK schwarz	PIN HOUSING Stiftwanne	1
0-963332-1	C	28	CuSn 6	PRE-TIN PLATED vorverzinkt	PIN Stift	2
1			PA6 GV30	BLACK schwarz	PIN HOUSING Stiftwanne	1

DWN: 0 Lebbert		20.03.90		TE Connectivity	
CEN: -		-		-	
APVD: -		-		-	
NAME: 2x14 POS. PIN HOUSING (MODU II)		TECHNINGS-NR.: 963332		RESTRICTED TO: -	
PRODUCT SPEC: 2x14 polig Stiftleiste (MODU II)		SCALE: 5:1		SHEET: 1 OF 2	
APPLICATION SPEC: -		CUSTOMER DRAWING		REV: C3	
WEIGHT: -		/KUNDENZEICHNUNG		OF VON 2	
SEE TABLE		SEE TABLE		SEE TABLE	

