

4

3

2

1

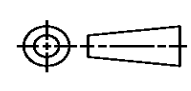

THIS DRAWING IS UNPUBLISHED. RELEASED FOR PUBLICATION
 © COPYRIGHT ALL RIGHTS RESERVED.

LOC	DIST	REVISIONS			
P	LTR	DESCRIPTION	DATE	DWN	APVD
	B1	ECR-16-009824	28JUL2016	GK	SD

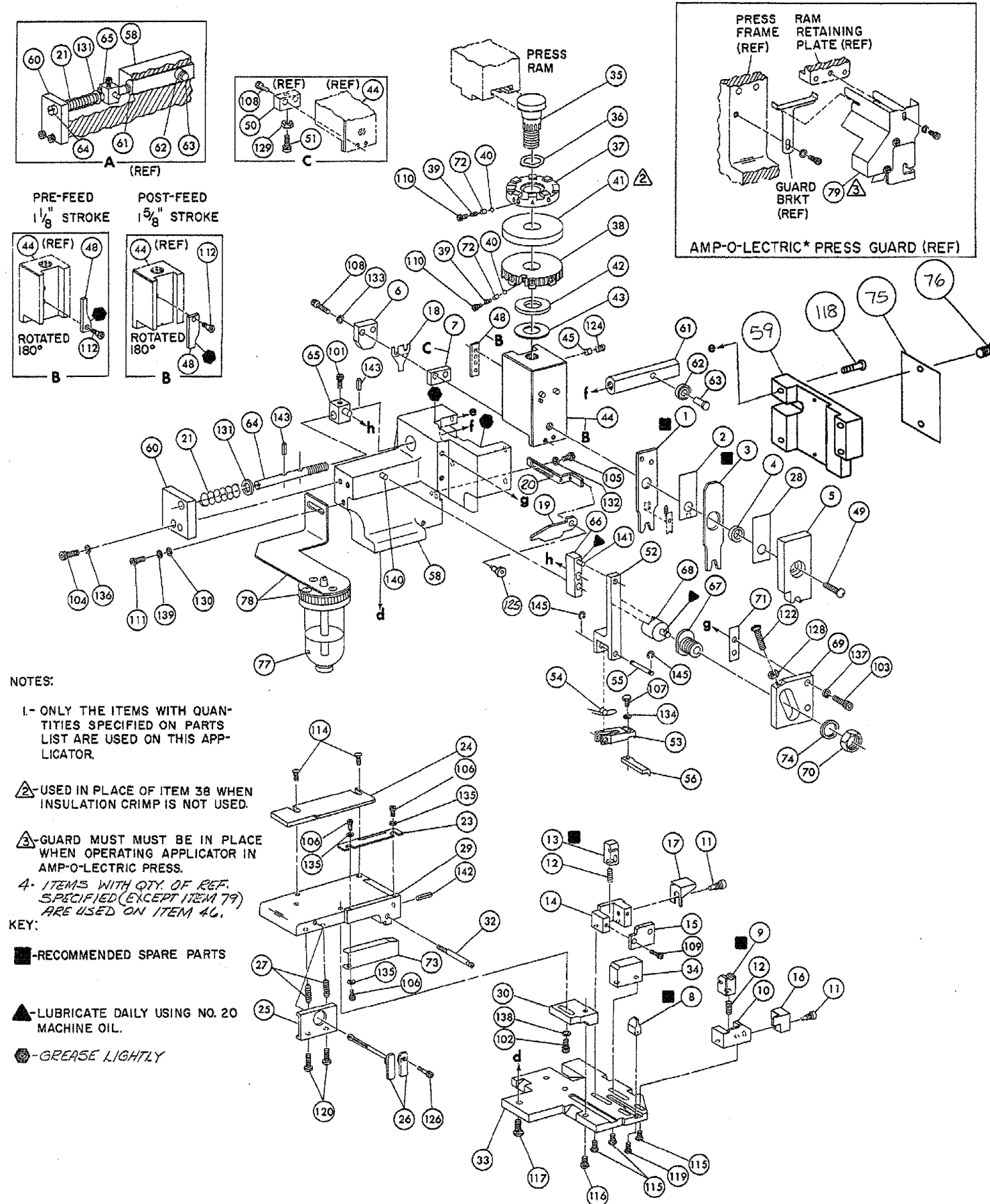
REPLACED BY OCEAN STYLE APPLICATOR PART NUMBER 2836284-1

FOR REPLACEMENT PARTS FOR APPLICATOR 466441-6
 REFER TO ADDITIONAL PAGE(S). SPARE PARTS KIT (IF LISTED)
 WILL REMAIN AVAILABLE.

THE REPLACEMENT OCEAN STYLE APPLICATOR HAS THE
 SAME TERMINATOR/PRESS INTERFACE AS APPLICATOR
 466441-6

THIS DRAWING IS A CONTROLLED DOCUMENT.		DWN	GOPALAKRISHNA HV			
DIMENSIONS:		CHK	GOPALAKRISHNA HV			
		TOLERANCES UNLESS OTHERWISE SPECIFIED:		 TE Connectivity		
		APVD	STOUGH DALE			
		PRODUCT SPEC	NAME			
		APPLICATION SPEC	MINIATURE QUICK CHANGE APPLICATOR SIDE FEED FASTON TAB			
MATERIAL		WEIGHT	SIZE	CAGE CODE	DRAWING NO	RESTRICTED TO
FINISH			A3		©- 466441-6	
		CUSTOMER DRAWING	SCALE	SHEET 1 OF 2	REV B1	

THIS IS A CONTROLLED DOCUMENT.



- NOTES:
- 1- ONLY THE ITEMS WITH QUANTITIES SPECIFIED ON PARTS LIST ARE USED ON THIS APPLICATOR.
 - 2- USED IN PLACE OF ITEM 38 WHEN INSULATION CRIMP IS NOT USED.
 - 3- GUARD MUST BE IN PLACE WHEN OPERATING APPLICATOR IN AMP-O-LECTRIC PRESS.
 - 4- ITEMS WITH QTY. OF REF. SPECIFIED (EXCEPT ITEM 79) ARE USED ON ITEM 46.
- KEY:
- - RECOMMENDED SPARE PARTS
 - ▲ - LUBRICATE DAILY USING NO. 20 MACHINE OIL.
 - - GREASE LIGHTLY

REF.	QTY	PART NO	DESCRIPTION	ITEM NO	REF.	QTY	PART NO	DESCRIPTION	ITEM NO
REF.		21045-3	RING, RETAINING 'C' (.187 DIA) FEED FINGER PIN	145	REF.		454220-1	CAP, HOUSING	59
REF.		5-21028-1	PIN, SLOT SPR (.125 DIA X .50) ADJ ROD	143	REF.		454485-1	HOUSING	58
1		4-21028-0	PIN, SLOT SPR (.093 DIA X .75) STR G PLATE	142			690542-2	PAWL, FEED	57
REF.		1-21030-1	PIN, DOWEL (.187 DIA X .50) LEVER	141	REF.		240624-1	PIN, FEED FINGER	56
REF.		1-21030-6	PIN, DOWEL (.187 DIA X 1.25) HOUSING	140	REF.		691499-1	SPRING, FEED FINGER	55
		21024-5	WASHER, LOCK (NO 10) LUB ASSY	139	REF.		690541-1	FINGER, FEED	54
1		21024-5	WASHER, LOCK (NO 10) STRIP GUIDE ADJ BLOCK	138	REF.		455679-1	LEVER, TERMINAL FEED ARM	53
REF.		21024-5	WASHER, LOCK (NO 10) ADJ PLATE	137				BUMPER, HOLDDOWN	52
REF.		21024-5	WASHER, LOCK (NO 10) FEED GUIDE ROD	136				SPACER, TONKER	51
3		21057-2	WASHER, LOCK (NO 4) FRONT STRIP GUIDE	135	1		7-21002-9	BOLT, CRIMPER	50
1		21024-4	WASHER, LOCK (NO 8) FEED FINGER	134	1		690602-6	CAM PRE-FEED	49
		21024-4	WASHER, LOCK (NO 8) DEPRESSOR	133				BUMPER, HOLDDOWN	48
1		21024-4	WASHER, LOCK (NO 8) STRIPPER	132				SPACER, TONKER	47
REF.		21899-4	WASHER, FLAT (5/16 DIA) SCREW ADJ	131	1		459456-1	APPLICATOR, BASIC (SUB ASSY)	46
		21899-2	WASHER, FLAT (NO 10) LUB ASSY	130	1		690191-1	PLUG, NYLON	45
		21068-5	NUT, HEX MACH (6-32) HOLDDOWN	129	1		455673-1	RAM	44
REF.		21068-5	NUT, HEX MACH (6-32) FEED ADJ	128	1		690125-1	WASHER, LAMINATED	43
				127	1		690124-1	WASHER, RAM	42
				126	2		23241-6	DISC, SPACER	41
1		22353-8	SCR, SHLD. (.187 DIA X .250 LG) DRAG LEVER	125	2		23241-6	BALL, STEEL	40
1		992031-1	PIN, CLEVIS	124	2		690170-1	SPRING, COMPRESSION	39
1		21009-2	SCR, SKT SET (1/4-20 X .25) (LOC-WEL) RAM	123	1		690142-1	DISC, INSULATION	38
				122	1		5-690141-1	DISC, WIRE	37
REF.		6-23715-4	SCR, PANHD MACH (6-32 X 1.25) FEED ADJ	122	1		22480-5	WASHER, SPRING	36
				121	1		690212-1	POST, RAM	35
2		3-21002-0	SCR, BUT HD SKT CAP (10-32 X .88) DRAG	120	1		690786-2	SUPPORT, TERMINAL	34
1		22733-8	SCR, BUT HD SKT CAP (8-32 X .38) (LOC-WEL) ANVIL	119	REF.		455675-1	PLATE, BASE	33
REF.		2-21002-9	SCR, BUT HD SKT CAP (10-32 X .75) CAP	118	1		690432-3	SCREW, ADJUSTMENT	32
REF.		2-22733-8	SCR, BUT HD SKT CAP (1/4-20 X .62) HOUSING	117					31
REF.		2-21002-7	SCR, BUT HD SKT CAP (10-32 X .50) SG ADJ BLOCK	116	REF.		455689-1	BLOCK, STRIP GUIDE ADJ	30
4		2-21002-2	SCR, BUT HD SKT CAP (8-32 X .50) SHEAR	115	1		455671-2	PLATE, STRIP GUIDE	29
2		2-21002-2	SCR, BUT HD SKT CAP (8-32 X .50) R STRIP GUIDE	114			455888-4	SPACER, FRONT SHEAR DEPRESSOR	28
				113	2		1-22284-0	SPRING, DRAG	27
1		1-21002-7	SCR, BUT HD SKT CAP (6-32 X .38) CAM	112	1		690546-1	LEVER, DRAG RELEASE	26
				111	1		240792-1	DRAG, STOCK	25
2		23030-1	SCR, SKT HD CAP (6-32 X .25) (LOC-WEL) CP DISC	110	1		690440-6	GUIDE STRIP (REAR)	24
				109	1		690438-1	GUIDE, STRIP (FRONT)	23
				108					22
1		2-22603-0	SCR, HEX HD MACH (8-32 X .31) FEED FINGER	107	REF.		4-22284-9	SPRING, FEED RETURN	21
3		1-21000-3	SCR, SKT HD CAP (4-40 X .25) F STRIP GUIDE	106	1		679218-1	ARM, STRIPPER	20
1		2-21000-7	SCR, SKT HD CAP (10-32 X .75) STRIPPER	105	1		455894-1	STRIPPER	19
REF.		3-21000-7	SCR, SKT HD CAP (10-32 X .75) FEED ROD GUIDE	104				HOLDER, TERMINAL	18
REF.		3-21000-6	SCR, SKT HD CAP (10-32 X .62) FEED ADJ BLOCK	103				GUARD, CHIP (REAR)	17
1		3-21000-4	SCR, SKT HD CAP (10-32 X .38) SG ADJ BLOCK	102	1		318563-1	GUARD, CHIP (FRONT)	16
REF.		3-21000-4	SCR, SKT HD CAP (10-32 X .38) PIVOT BLOCK	101				PLATE, SHEAR (REAR)	15
REF.		455749-1	GUARD, WINDOW	79				HOLDER, SHEAR (REAR)	14
				78				SHEAR, FLOAT (REAR)	13
		1-465184-0	LUBRICATOR ASSY	78				SPRING, SHEAR	12
			OIL, LUBRICATING	77	1		5-22280-0	SPRING, SHEAR	12
2		21017-2	SCR, DRIVE (#2 X .19) ID PLATE	76	1		690461-1	STOP, SHEAR	11
1		461264-1	PLATE, ID	75	1		690459-1	HOLDER, SHEAR (FRONT)	10
REF.		458109-1	WASHER, SPECIAL	74	1		454276-1	SHEAR, FLOAT (FRONT)	9
REF.		454377-3	PLATE, STRIP GUIDE COVER	73	1		690471-4	ANVIL	8
2		690603-1	SPRING, ASSIST	72				SPACER, DEPRESSOR (REAR)	7
REF.		690517-1	SPACER	71				DEPRESSOR, SHEAR (REAR)	6
		22594-8	NUT, HEX	70	1		1-455889-4	DEPRESSOR, SHEAR (FRONT)	5
		240628-1	PLATE, ADJUSTMENT	69	1		238011-4	SPACER, TUBULAR, INS CRIMPER	4
		240626-1	SHAFT, PIVOT	68	1		683454-1	CRIMPER, INSULATION	3
		240633-1	BUSHING	67	1		455888-9	SPACER, CRIMPER	2
		455680-1	LEVER, INTERMEDIATE	66	1		2-456406-0	CRIMPER, WIRE	1
		240629-1	BLOCK, PIVOT	65					
		240632-2	SCREW, ADJUSTMENT FEED ROD	64					
		240659-3	PIN, CAM ROLLER	63					
		240658-1	ROLLER, CAM	62					
		454398-2	ROD, FEED	61					
REF.		454178-1	GUIDE, FEED ROD	60					

CRIMPING DATA				APPLICATOR WILL APPLY	
PAD LTR	CRIMP HEIGHT	WIRE SIZE	WIRE STRIP LENGTH		
A	.062	18			12490
B	.060	20			63857
C	.057	22			
D	NOT USED				
CRIMP	SIZE	TYPE	FEED	APPL INST	
WIRE	.090	F	.440	A18040	
INSUL	.155	O			
WIRE RANGE	22-18		INSULATION RANGE	.080-.120	
REMARKS	PRE-FEED BENCH G-TEAM				

REMARKS	NO	REV
APPL USED ON MACHINE PART NO	MACH SERIAL NO	DISTRIBUTION
CUSTOMER NAME	APPL SERIAL NO	ORIGINAL
ADDRESS	PURCHASE ORDER	CUSTOMER COPY
CITY	ENG APP	FIELD ENG COPY

SET UP PAGE 10-1	458637-1 43	DR C. ERILMAN 11-02	DR C. ERILMAN 11-01	APP T. ELBIN 11-01
ECN 6150-116-04	ECN 0150-050-03	NAME	MINIATURE QUICK CHANGE APPLICATOR	
APP DATE	APP DATE	SIDE FEED (FASTON TAB)		

AMP 2993-3 (9-73)