

4

3

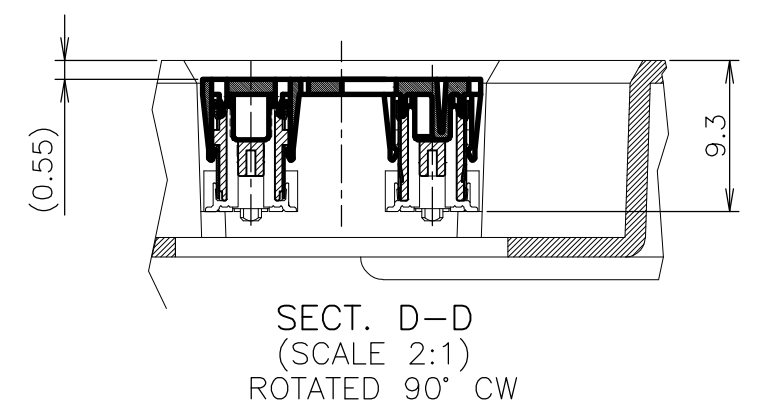
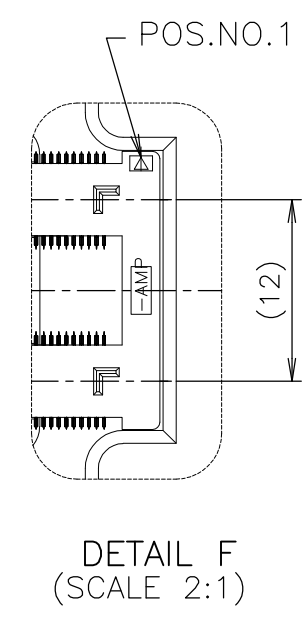
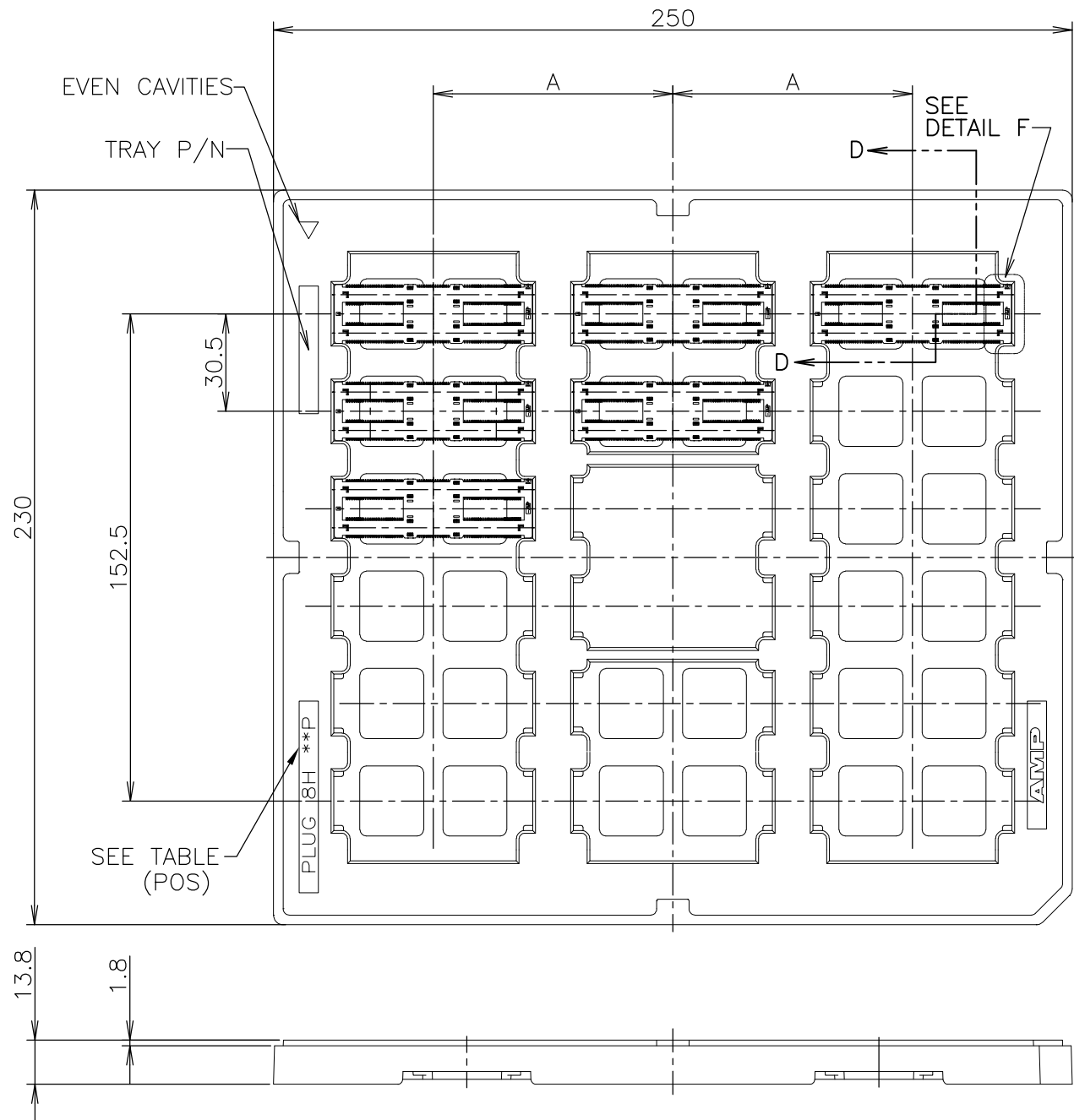
2

1



THIS DRAWING IS UNPUBLISHED. RELEASED FOR PUBLICATION  
 © COPYRIGHT - By - ALL RIGHTS RESERVED.

LOC		DIST		REVISIONS				
P	LTR	DESCRIPTION			DATE	DWN	APVD	
	C2	REVISED PER ECO-11-005033			25MAR11	RK	HMR	

3-5353652-6:AS SHOWN



NO	3	18	75	440	3-5353652-6
SEALANT	ROW	QTY	A	POS.	PART NO.

THIS DRAWING IS A CONTROLLED DOCUMENT.		DWN	S.CH IEN	18MAY05	 TE Connectivity
DIMENSIONS: MM		CHK	T.FUTATSUGI	18MAY05	
		APVD	H.KODAMA	18MAY05	
TOLERANCES UNLESS OTHERWISE SPECIFIED: 0 PLC ± 0.3 1 PLC ± 0.3 2 PLC ± 0.3 3 PLC ± 0.3 4 PLC ± 0.3 ANGLES ± 3°		PRODUCT SPEC	108-5560		
MATERIAL		APPLICATION SPEC	NAME		
FINISH		WEIGHT	HARD TRAY ASSY		
		CUSTOMER DRAWING	FH 0.5BTB CONNECTOR		
			SIZE	CAGE CODE	DRAWING NO
			A3	00779	C-5353652
			RESTRICTED TO		
			SCALE	SHEET	REV
			1:2	1 OF 8	C2

4

3

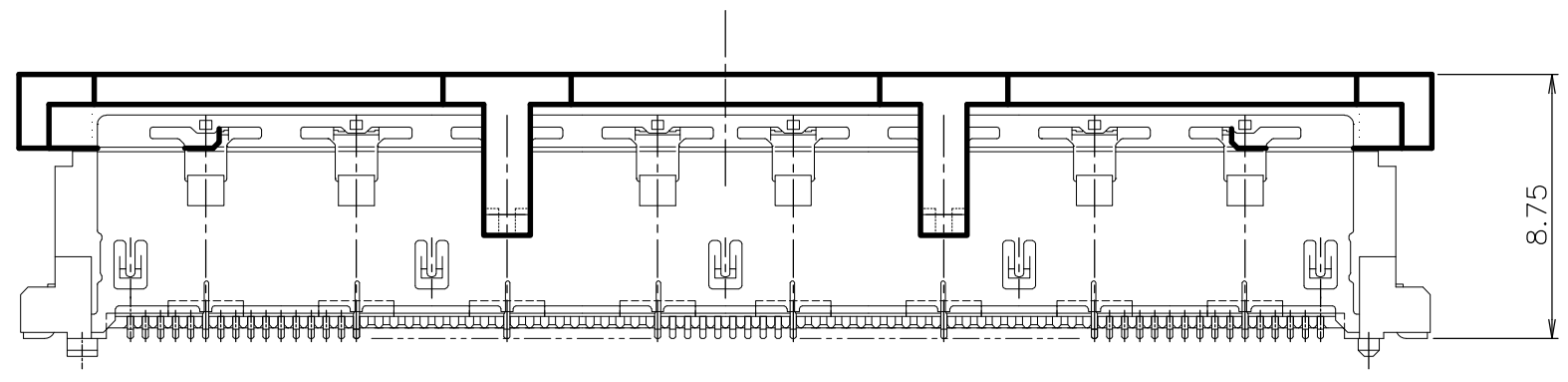
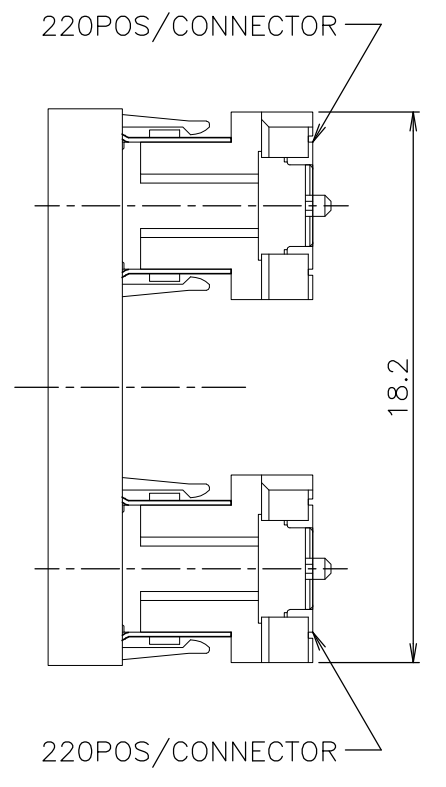
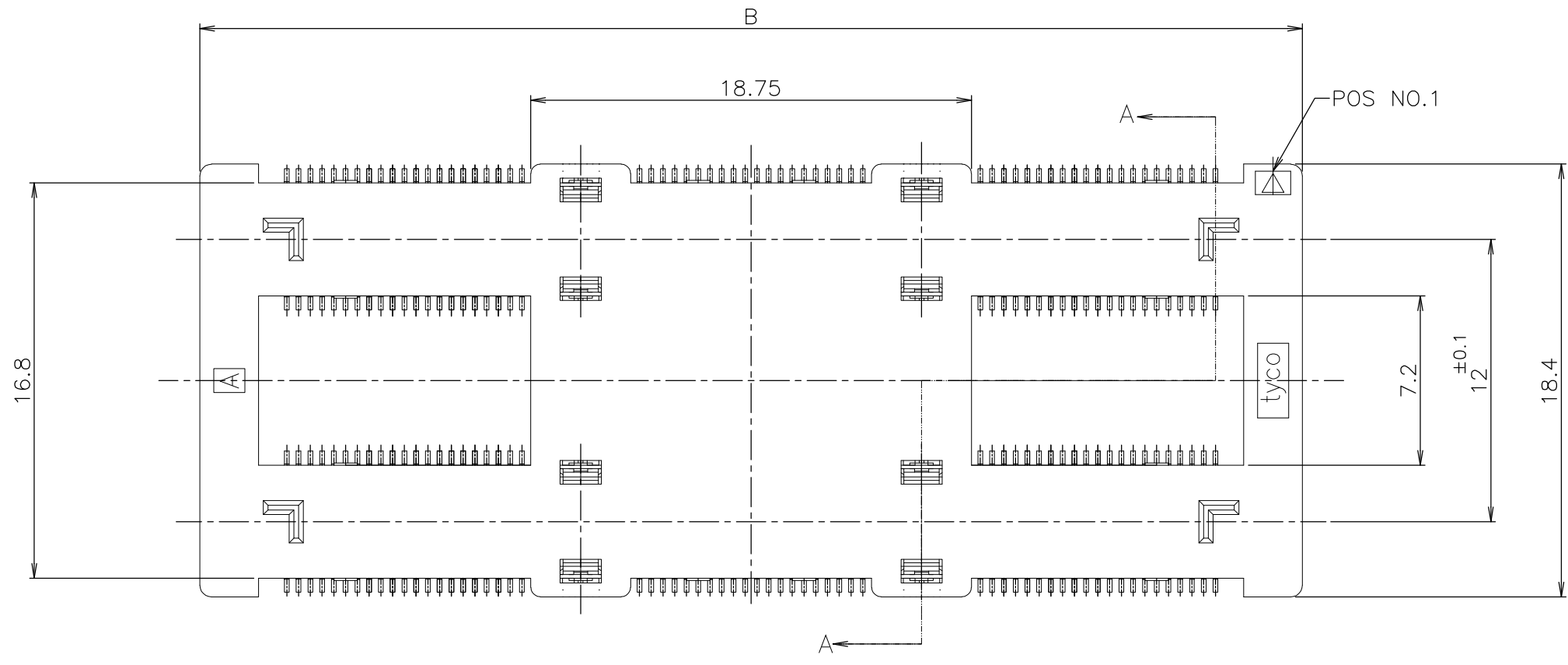
2

1

THIS DRAWING IS UNPUBLISHED. RELEASED FOR PUBLICATION  
 © COPYRIGHT By - ALL RIGHTS RESERVED.

LOC ES	DIST /	REVISIONS			
P	LTR	DESCRIPTION	DATE	DWN	APVD
-	-	-SEE SHEET 1-	-	-	-

CAP SETTING CONDITION OF 3-5353652-6



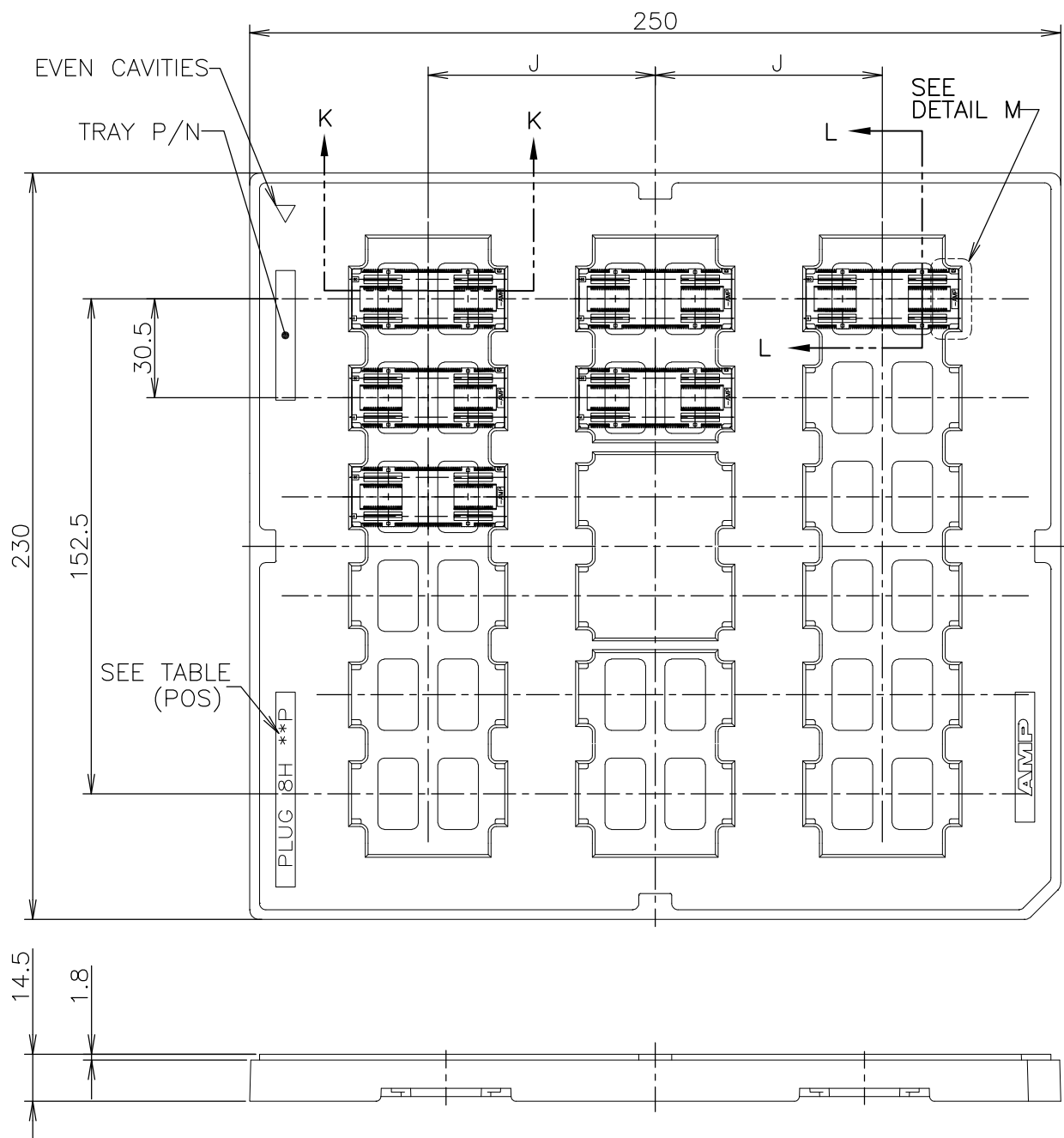
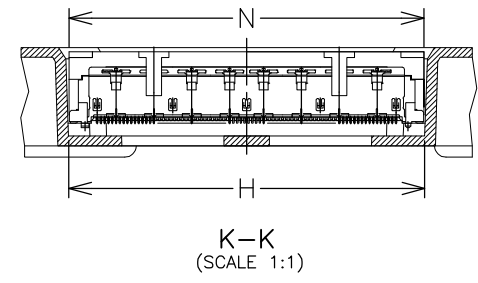
BLACK	61.9	440	3-5353652-6
CAP COLOR	B	POS	PART NO.

THIS DRAWING IS A CONTROLLED DOCUMENT.		DWN	TE Connectivity HARD TRAY ASSY FH 0.5BTB CONNECTOR PLUG 8H W/G-PLATE ON 2ROW CAP				
DIMENSIONS: MM	TOLERANCES UNLESS OTHERWISE SPECIFIED: 0 PLC ± 0.3 1 PLC ± 0.3 2 PLC ± 0.3 3 PLC ± 0.3 4 PLC ± 0.3 ANGLES ± 3°	CHK				NAME	
		APVD				PRODUCT SPEC	
MATERIAL	FINISH	APPLICATION SPEC				WEIGHT	SIZE
		CUSTOMER DRAWING		A3	00779	C-5353652	
			SCALE	SHEET	REV		
			4:1	2 OF 8	C2		

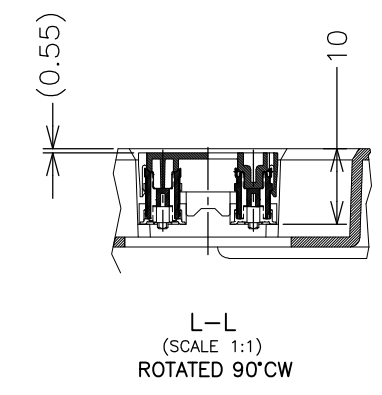
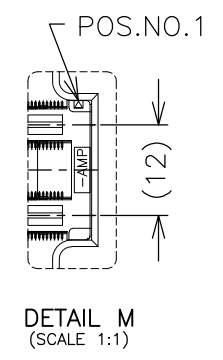
THIS DRAWING IS UNPUBLISHED. RELEASED FOR PUBLICATION  
 © COPYRIGHT By - ALL RIGHTS RESERVED.

LOC ES	DIST /	REVISIONS			
P	LTR	DESCRIPTION	DATE	DWN	APVD
-	-	SEE SHEET 1	-	-	-

6-5353652-2:AS SHOWN  
 1-5353652-2:AS SHOWN



SEALANT	TOOLING	ROW	QTY	J	H	N	POS.	TRAY P/N	ON CAP CONN P/N	PART NO.	
NOT AVAILABLE	3	18	↑	66.8	66.9	480	.	6-5353620-7	6-5353652-7		
↑	↑	↑	↑	61.8	61.9	440	.	6-↑-6	6-↑-6		
↓	↓	↓	↓	75	56.8	56.9	400	.	6-↓-5	6-↓-5	
↓	↓	↓	↓	70	51.8	51.9	360	.	6-↓-4	6-↓-4	
NOT AVAILABLE	3	18	↑	49.3	49.4	340	.	6-5353620-3	6-5353652-3		
AVAILABLE	5	30	↑	46.8	46.9	320	7-912066-6	6-5353620-2	6-5353652-2		
NOT AVAILABLE	3	18	↓	44.3	44.4	300	.	6-5353620-1	6-5353652-1		
↑	↑	↑	↑	41.8	41.9	280	.	6-↑-0	6-↑-0		
↓	↓	↓	↓	3	36.8	36.9	240	.	5-↓-9	5-↓-9	
↓	↓	↓	↓	5	31.8	31.9	200	.	5-↓-8	5-↓-8	
↓	↓	↓	↓	↑	29.3	29.4	180	.	5-↑-7	5-↑-7	
↓	↓	↓	↓	↑	26.8	26.9	160	.	5-↑-6	5-↑-6	
↓	↓	↓	↓	↑	24.3	24.4	140	.	5-↑-5	5-↑-5	
↓	↓	↓	↓	↑	21.8	21.9	120	.	5-↑-4	5-↑-4	
↓	↓	↓	↓	↑	19.3	19.4	100	.	5-↑-3	5-↑-3	
↓	↓	↓	↓	↑	16.8	16.9	80	.	5-↑-2	5-↑-2	
NOT AVAILABLE	5	30	↓	14.3	14.4	60	.	5-5353620-1	5-5353652-1		
NOT AVAILABLE	3	18	↑	66.8	66.9	480	.	1-5353620-7	1-5353652-7		
↑	↑	↑	↑	61.8	61.9	440	.	1-↑-6	1-↑-6		
↓	↓	↓	↓	75	56.8	56.9	400	.	1-↓-5	1-↓-5	
↓	↓	↓	↓	70	51.8	51.9	360	.	1-↓-4	1-↓-4	
NOT AVAILABLE	3	18	↑	49.3	49.4	340	.	1-5353620-3	1-5353652-3		
AVAILABLE	5	30	↑	46.8	46.9	320	7-912066-6	1-5353620-2	1-5353652-2		
NOT AVAILABLE	3	18	↓	44.3	44.4	300	.	1-5353620-1	1-5353652-1		
↑	↑	↑	↑	41.8	41.9	280	.	1-↑-0	1-↑-0		
↓	↓	↓	↓	3	36.8	36.9	240	.	1-↓-9	1-↓-9	
↓	↓	↓	↓	5	31.8	31.9	200	.	1-↓-8	1-↓-8	
↓	↓	↓	↓	↑	29.3	29.4	180	.	1-↑-7	1-↑-7	
↓	↓	↓	↓	↑	26.8	26.9	160	.	1-↑-6	1-↑-6	
↓	↓	↓	↓	↑	24.3	24.4	140	.	1-↑-5	1-↑-5	
↓	↓	↓	↓	↑	21.8	21.9	120	.	1-↑-4	1-↑-4	
↓	↓	↓	↓	↑	19.3	19.4	100	.	1-↑-3	1-↑-3	
↓	↓	↓	↓	↑	16.8	16.9	80	.	1-↑-2	1-↑-2	
NOT AVAILABLE	5	30	↓	14.3	14.4	60	.	5353620-1	5353652-1		



THIS DRAWING IS A CONTROLLED DOCUMENT.

DWN  
CHK  
APVD  
PRODUCT SPEC  
APPLICATION SPEC  
WEIGHT

**STE** TE Connectivity

NAME  
HARD TRAY ASSY  
FH 0.5BTB CONNECTOR  
PLUG 8H W/G-PLATE ON 2ROW CAP

SIZE  
CAGE CODE  
DRAWING NO  
RESTRICTED TO

A3 00779 C-5353652

CUSTOMER DRAWING SCALE 1:2 SHEET 3 OF 8 REV C2

4

3

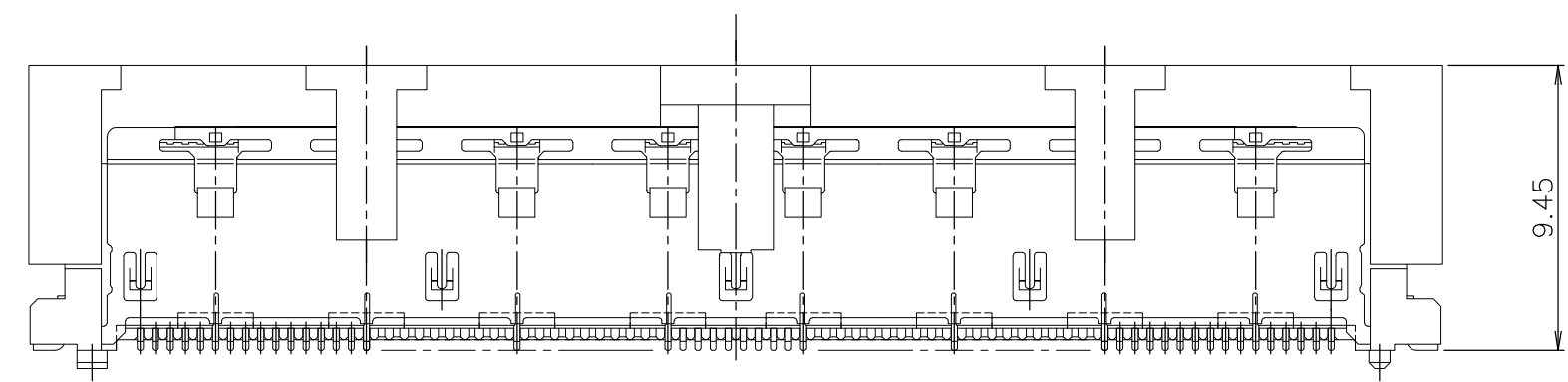
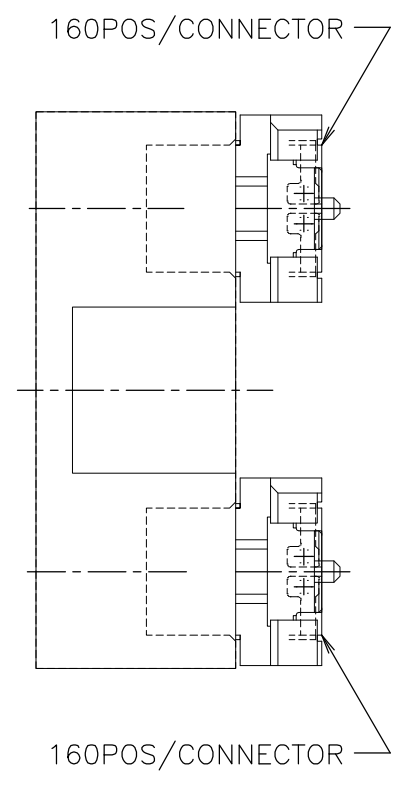
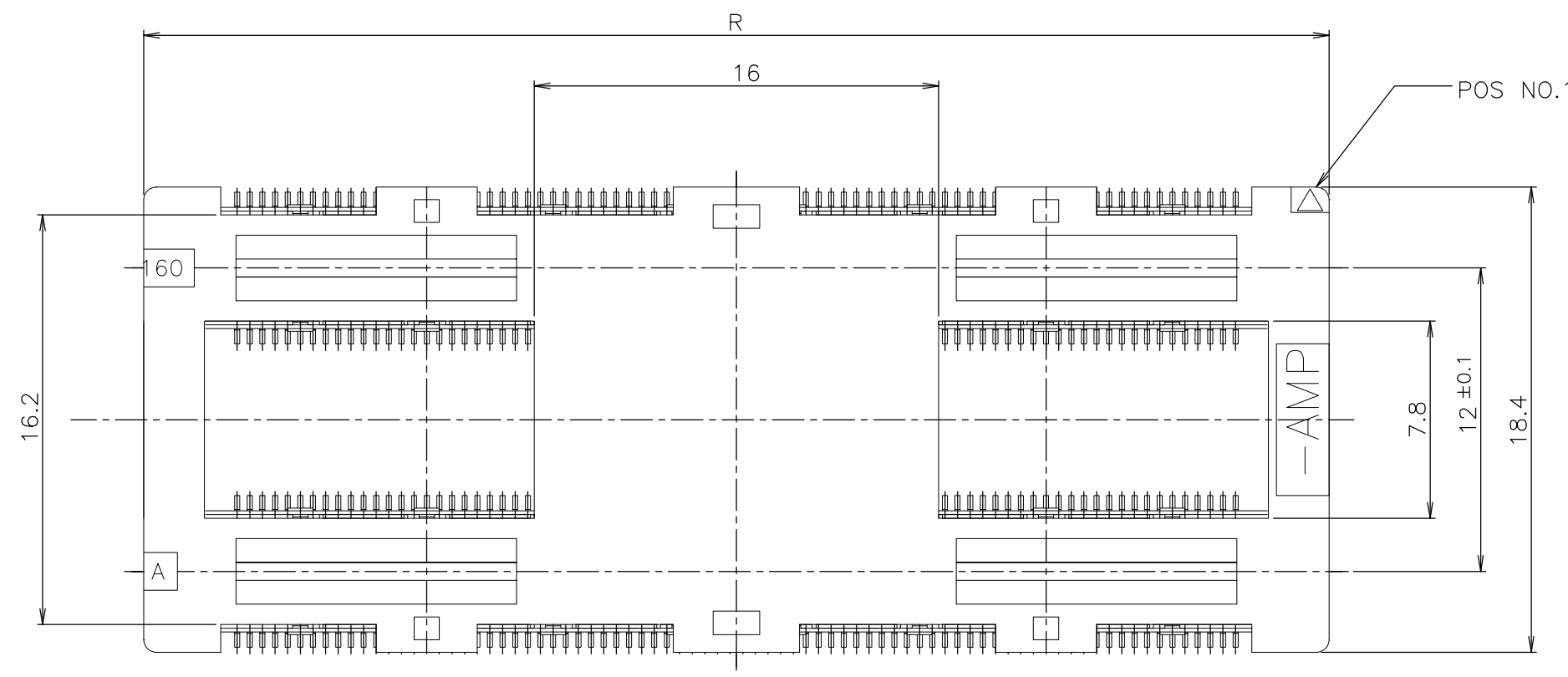
2

1

THIS DRAWING IS UNPUBLISHED. RELEASED FOR PUBLICATION  
© COPYRIGHT By - ALL RIGHTS RESERVED.

LOC ES	DIST /	REVISIONS			
P	LTR	DESCRIPTION	DATE	DWN	APVD
-	-	SEE SHEET 1	-	-	-

# CAP SETTING CONDITION OF 1-5353652-2 & 6-5353652-2

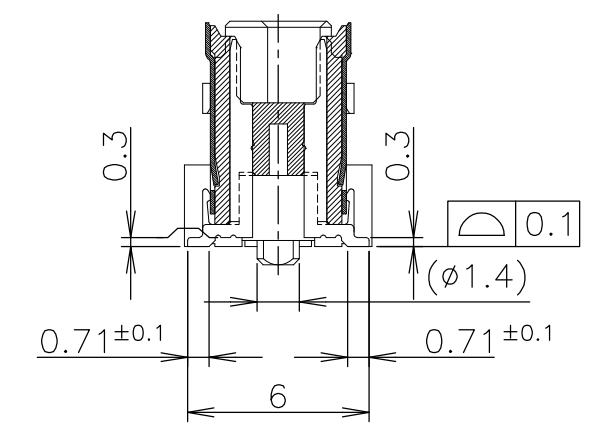
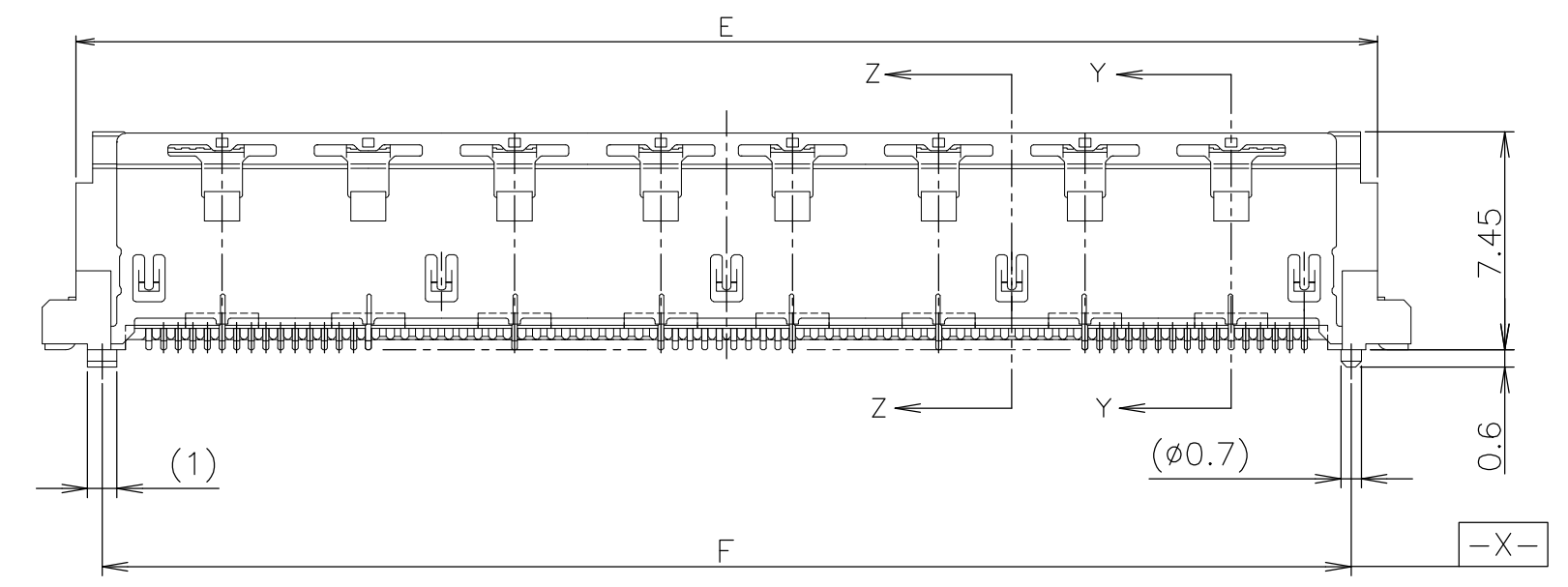
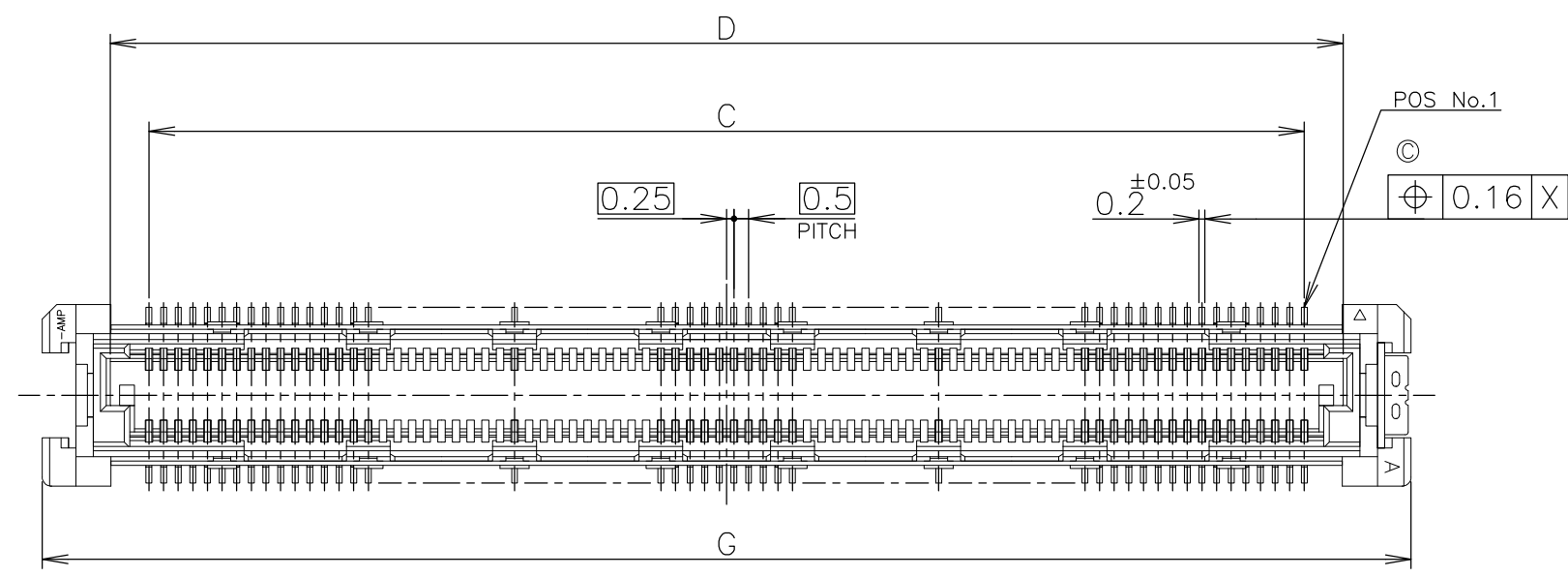


YES	NATURAL	46.9	320	6-5353652-2
NO	NATURAL	46.9	320	1-5353652-2
SEALANT	CAP COLOR	R	POS	PART NO.

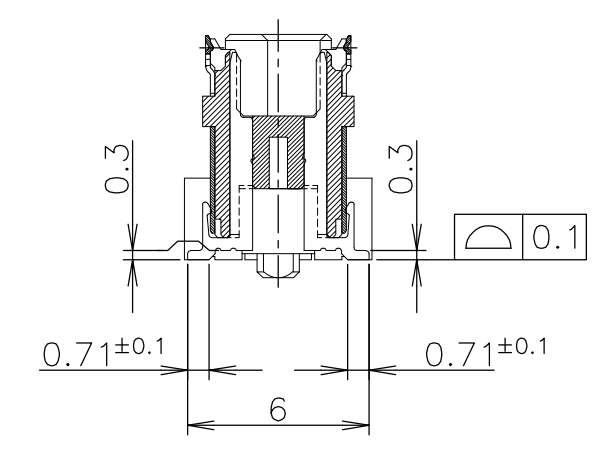
THIS DRAWING IS A CONTROLLED DOCUMENT.		DWN	TE Connectivity HARD TRAY ASSY FH 0.5BTB CONNECTOR PLUG 8H W/G-PLATE ON 2ROW CAP			
DIMENSIONS: MM		CHK				NAME
TOLERANCES UNLESS OTHERWISE SPECIFIED: 0 PLC ± 0.3 1 PLC ± 0.3 2 PLC ± 0.3 3 PLC ± 0.3 4 PLC ANGLES ± 3°		APVD				PRODUCT SPEC
		APPLICATION SPEC				WEIGHT
MATERIAL		FINISH	SIZE	CAGE CODE	DRAWING NO	RESTRICTED TO
			A3	00779	C-5353652	-
CUSTOMER DRAWING			SCALE	SHEET	REV	
			4:1	4 OF 8	C2	

THIS DRAWING IS UNPUBLISHED. RELEASED FOR PUBLICATION  
 © COPYRIGHT By - ALL RIGHTS RESERVED.

LOC	DIST	REVISIONS			
P	LTR	DESCRIPTION	DATE	DWN	APVD
ES	/	SEE SHEET 1	-	-	-



SECT. Z-Z  
(SIGNAL POSITION)



SECT. Y-Y  
(GROUND POSITION)

- ① MATERIAL ; HOUSING : HIGH TEMP THERMO PLASTIC UL94V-0  
CONTACT : COPPER ALLOY  
SOLDER PEG : COPPER ALLOY
- ② FINISH ; SIGNAL CONTACT : UNDER PL Ni 0.0013mm MIN ALL OVER.  
CONTACT AREA 0.0002mm MIN Au PL.  
SOLDERING AREA 0.001mm MIN TIN PL.  
GROUND CONTACT : UNDER PL Ni 0.0013mm MIN ALL OVER.  
CONTACT AREA 0.0002mm MIN Au PL.  
SOLDERING AREA 0.001mm MIN TIN PL.  
SOLDER PEG : 0.001mm MIN TIN PL. OVER  
0.0013mm MIN Ni PL ALL OVER.
- ③ THIS POSITION IS GROUND CIRCUIT.
- ④ THIS PRODUCT IS COATED BY FLUX-PENETRATION-INHIDITING AGENT.

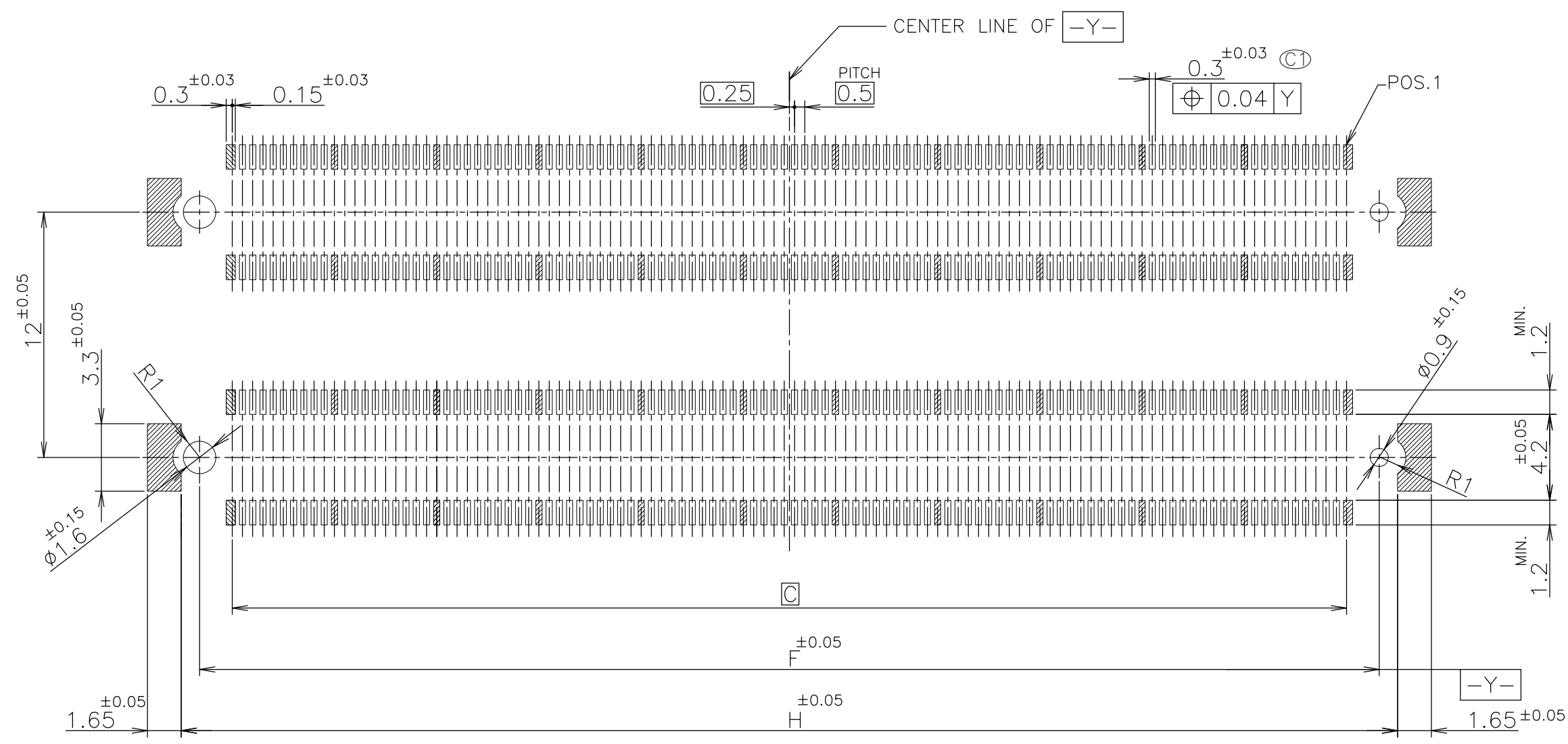
46.8	42.7	44.5	42.1	39.5	160	NATURAL	6-5353652-2
46.8	42.7	44.5	42.1	39.5	160	NATURAL	1-5353652-2
61.8	57.7	59.5	57.1	54.5	220	BLACK	3-5353652-6
G	F	E	D	C	POS OF EACH CONNECTOR	HSG COLOR	PART NO.

THIS DRAWING IS A CONTROLLED DOCUMENT.

DIMENSIONS: MM	TOLERANCES UNLESS OTHERWISE SPECIFIED:	DWN	TE Connectivity <b>HARD TRAY ASSY</b> <b>FH 0.5BTB CONNECTOR</b> <b>PLUG 8H W/G-PLATE ON 2ROW CAP</b>
	0 PLC ± 0.3	CHK	
	1 PLC ± 0.3	APVD	
	2 PLC ± 0.3	PRODUCT SPEC	
	3 PLC ± 0.3	APPLICATION SPEC	
MATERIAL	4 PLC ± 0.3	WEIGHT	NAME
①	ANGLES ± 3'	CUSTOMER DRAWING	SIZE CAGE CODE DRAWING NO RESTRICTED TO
	FINISH	SCALE 4:1	A3 00779 C-5353652
②		SHEET 5 OF 8	REV C2

THIS DRAWING IS UNPUBLISHED. RELEASED FOR PUBLICATION  
 © COPYRIGHT By - ALL RIGHTS RESERVED.

LOC	DIST	REVISIONS					
ES		P	LTR	DESCRIPTION	DATE	DWN	APVD
		-		SEE SHEET 1	-	-	-



REFERENCE P.C. BOARD LAYOUT

44.5	42.7	320	6-5353652-2
44.5	42.7	320	1-5353652-2
59.5	57.7	440	3-5353652-6
H	F	POS	PART NO.

THIS DRAWING IS A CONTROLLED DOCUMENT.		DWN	TE Connectivity NAME HARD TRAY ASSY FH 0.5BTB CONNECTOR PLUG 8H W/G-PLATE ON 2ROW CAP				
DIMENSIONS: MM		CHK					
		APVD					
TOLERANCES UNLESS OTHERWISE SPECIFIED: 0 PLC $\pm 0.3$ 1 PLC $\pm 0.3$ 2 PLC $\pm 0.3$ 3 PLC $\pm 0.3$ 4 PLC $\pm 0.3$ ANGLES $\pm 3'$		PRODUCT SPEC					
MATERIAL		FINISH	APPLICATION SPEC	SIZE	CAGE CODE	DRAWING NO	RESTRICTED TO
CUSTOMER DRAWING			WEIGHT	A3	00779	C-5353652	
			SCALE	4:1	SHEET	6 OF 8	REV C2

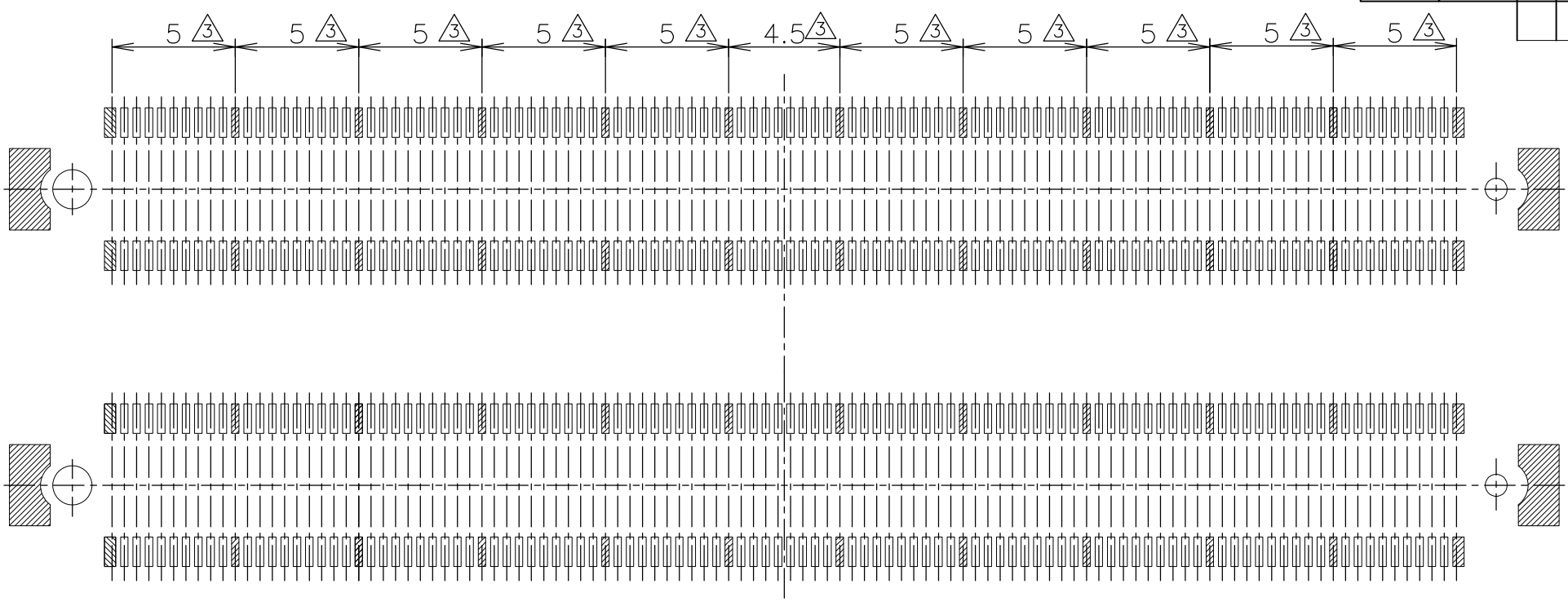
THIS DRAWING IS UNPUBLISHED. RELEASED FOR PUBLICATION  
 © COPYRIGHT By - ALL RIGHTS RESERVED.

LOC ES DIST

REVISIONS				
P	LTR	DESCRIPTION	DATE	APVD
-	-	SEE SHEET 1	-	-

D

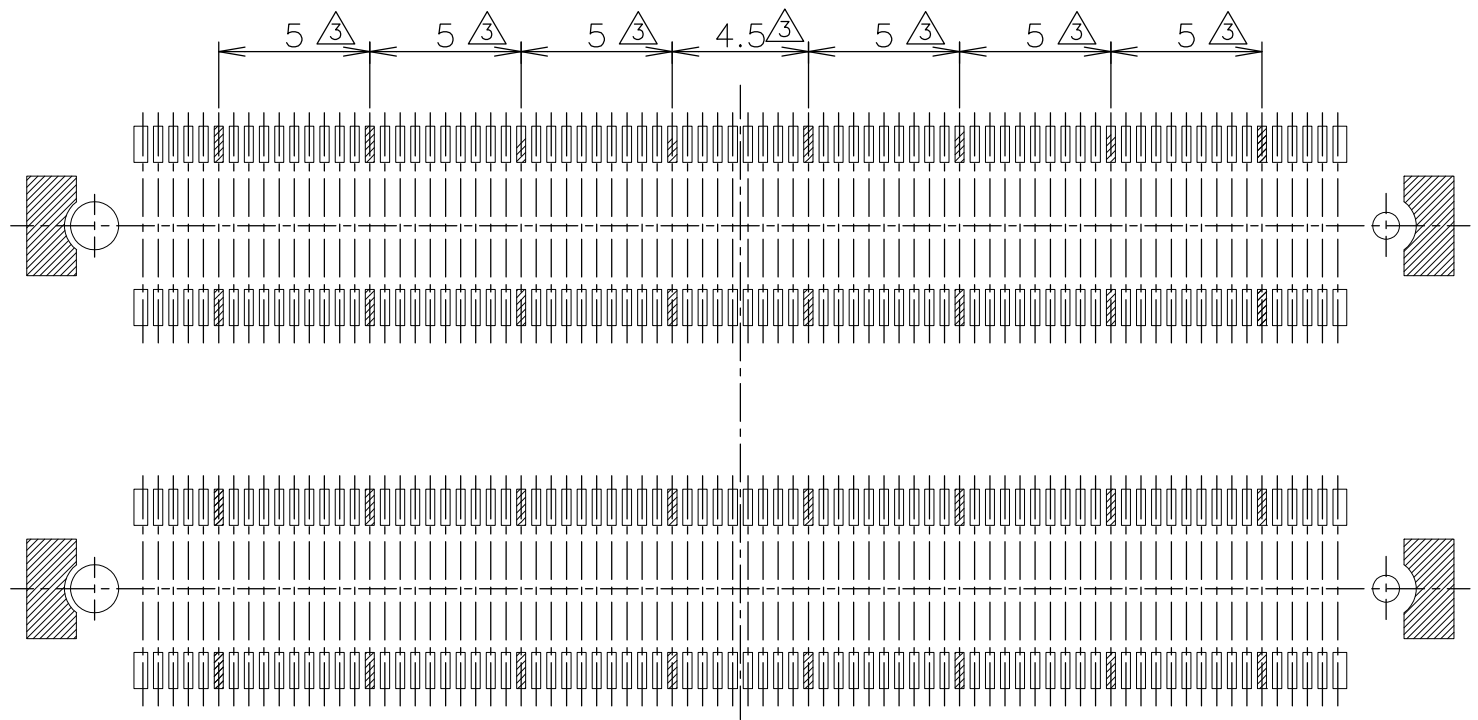
D



440P

C

C



320P

B

B

A

A

P.C. BOARD LAYOUT

THIS DRAWING IS A CONTROLLED DOCUMENT.

DIMENSIONS: MM	

TOLERANCES UNLESS OTHERWISE SPECIFIED:	
0 PLC	± 0.3
1 PLC	± 0.3
2 PLC	± 0.3
3 PLC	± 0.3
4 PLC	± 0.3
ANGLES	± 3'
FINISH	

MATERIAL

DWN
CHK
APVD
PRODUCT SPEC
APPLICATION SPEC
WEIGHT

**STE** TE Connectivity

NAME  
HARD TRAY ASSY  
FH 0.5BTB CONNECTOR  
PLUG 8H W/G-PLATE ON 2ROW CAP

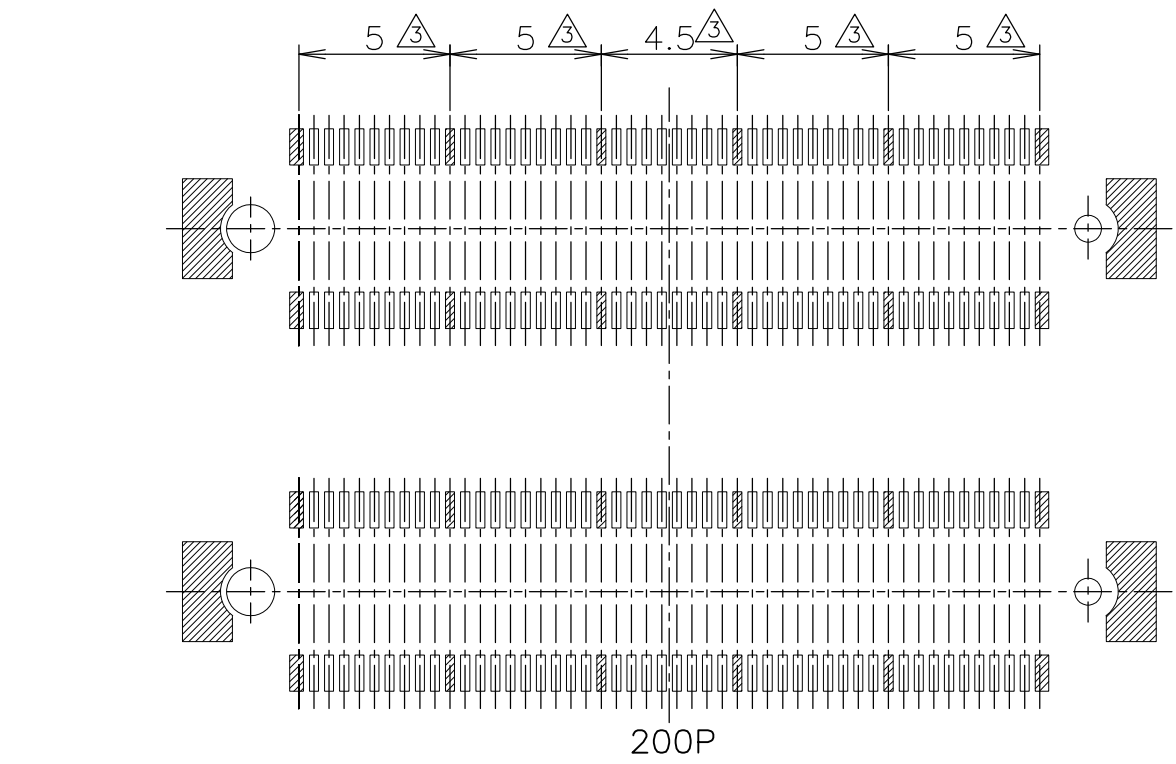
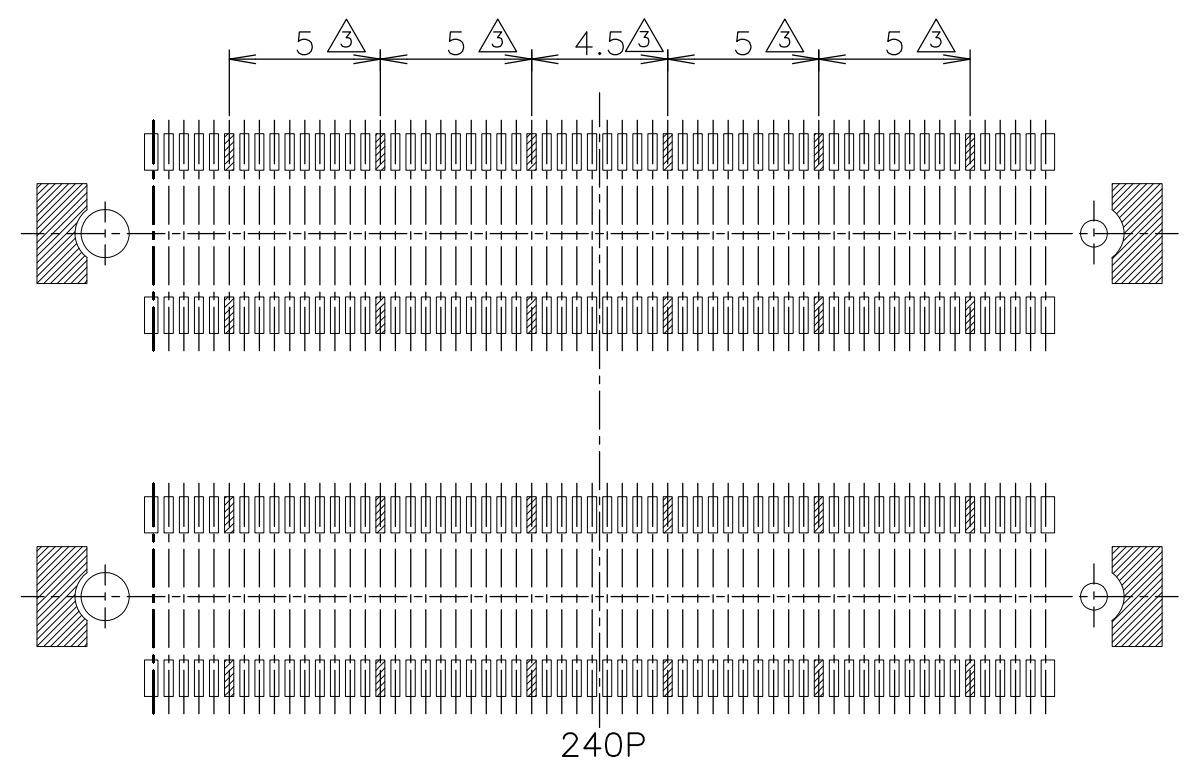
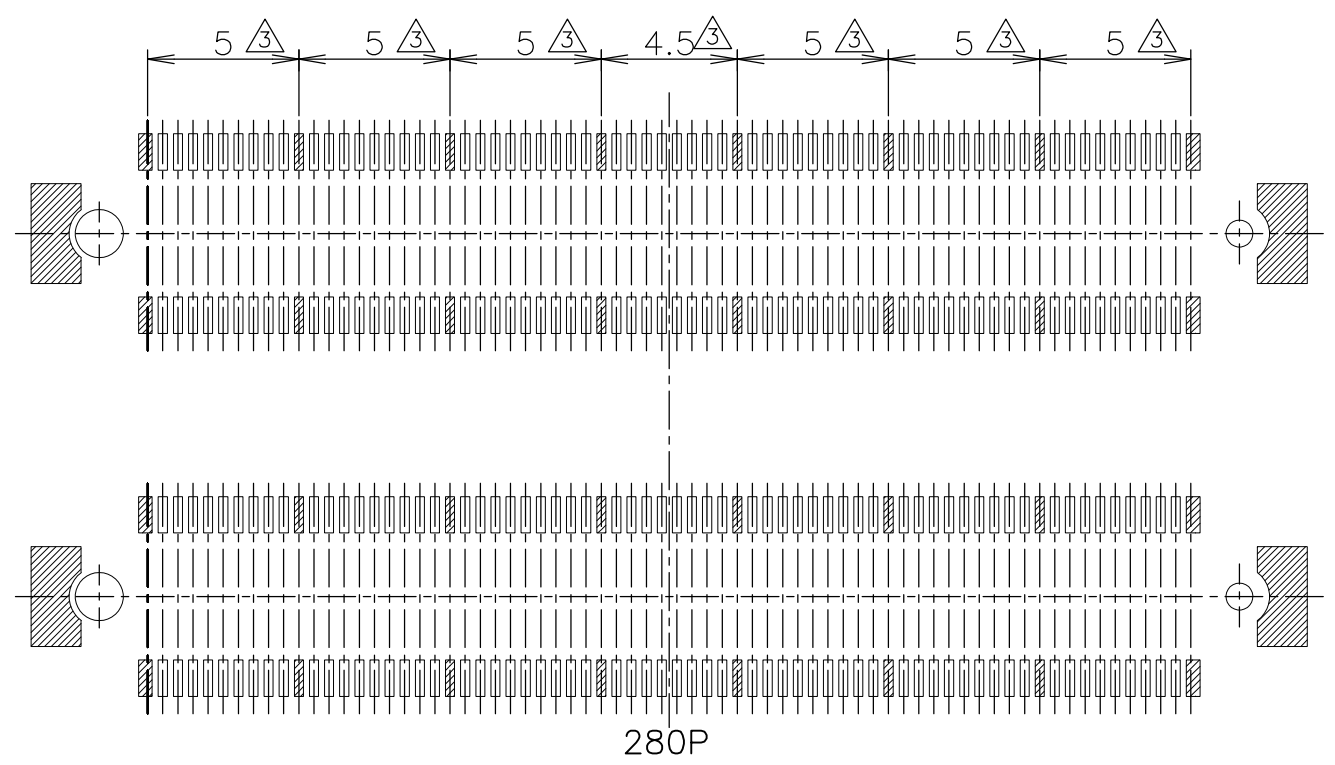
SIZE	CAGE CODE	DRAWING NO	RESTRICTED TO
A3	00779	C-5353652	

CUSTOMER DRAWING

SCALE 4:1 SHEET 7 OF 8 REV C2

THIS DRAWING IS UNPUBLISHED. RELEASED FOR PUBLICATION  
 © COPYRIGHT By - ALL RIGHTS RESERVED.

LOC	DIST	REVISIONS					
ES		P	LTR	DESCRIPTION	DATE	DWN	APVD
			-	SEE SHEET 1	-	-	-



THIS DRAWING IS A CONTROLLED DOCUMENT.		DWN	TE Connectivity NAME HARD TRAY ASSY FH 0.5BTB CONNECTOR PLUG 8H W/G-PLATE ON 2ROW CAP			
DIMENSIONS: MM		CHK				
TOLERANCES UNLESS OTHERWISE SPECIFIED: 0 PLC ± 0.3 1 PLC ± 0.3 2 PLC ± 0.3 3 PLC ± 0.3 4 PLC ANGLES ± 3°		APVD				
MATERIAL		PRODUCT SPEC				
FINISH		APPLICATION SPEC	SIZE	CAGE CODE	DRAWING NO	RESTRICTED TO
		WEIGHT	A3	00779	C-5353652	
CUSTOMER DRAWING			SCALE	SHEET	REV	
			4:1	8 OF 8	C2	