

LOC	DIST	REVISIONS					
A	66	P	LTR	DESCRIPTION	DATE	DWN	APVD
		P2		SEE PRODUCT DRAWING	-	-	-


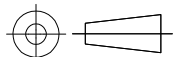
SEE PRODUCTION DRAWING
680020

THIS DRAWING IS UNPUBLISHED.

ALL INTERNATIONAL RIGHTS RESERVED.

BY TYCO ELECTRONICS CORPORATION.

© COPYRIGHT

DIMENSIONS: INCHES	DWN	17AUG2009	MATERIAL	-	FINISH	-
	CHK	M.YOUNGER	 Tyco Electronics Corporation Harrisburg, PA 17105-3608			
TOLERANCES UNLESS OTHERWISE SPECIFIED:	APVD	-	NAME			
	PRODUCT SPEC	-	ULTRA POD FLAG APPLICATOR			
0 PLC ± -	APPLICATION SPEC	-	SIZE	CAGE CODE	DRAWING NO	RESTRICTED TO
1 PLC ± -	WEIGHT	-	A4	00779	C-680020	-
2 PLC ± -			CUSTOMER DRAWING			
3 PLC ± -			SCALE	1:1	SHEET	1 OF 1
4 PLC ± -			REV P2			
ANGLES ± -						