

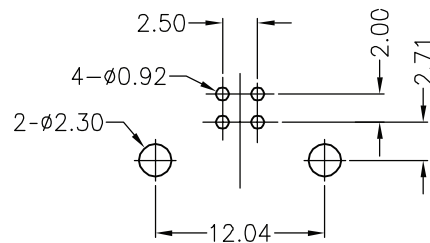
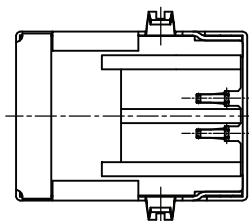
1

2

3

4

5



RECOMMENDED PCB LAYOUT  
RECOMMENDED PCB THICKNESS : 1.6 mm

#### TECHNICAL CHARACTERISTICS

**MATERIAL**  
INSULATOR: PBT  
FLAMMABILITY RATING: UL94-V0  
COLOR: WHITE  
CONTACT MATERIAL: COPPER ALLOY  
CONTACT TYPE: STAMPED  
CONTACT PLATING: SELECTIVE GOLD  
SHIELDING: BRASS Ni PLATED  
QUALITY CLASS: 1500 MATING CYCLES

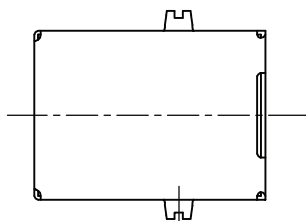
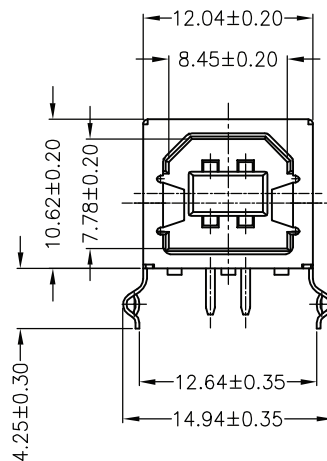
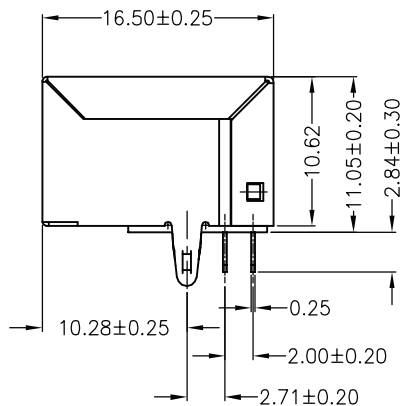
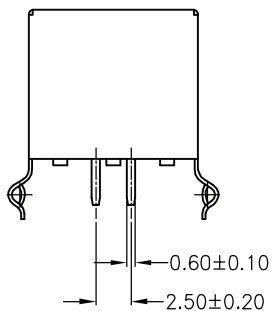
**ENVIRONMENTAL**  
OPERATING TEMPERATURE: -40°C UP TO +105°C  
COMPLIANCE: LEAD FREE AND ROHS

**ELECTRICAL**  
CURRENT RATING: 1.5 A MAX  
WORKING VOLTAGE: 30 V  
INSULATOR RESISTANCE: >1000 MΩ  
DIELECTRIC WITHSTANDING VOLTAGE: 750 VAC/MIN  
CONTACT RESISTANCE: 20 mΩ MAX

**STANDARD**  
 CERTIFIED: E323964

**SOLDERING**  
JEDEC LEAD FREE WAVE SOLDERING

**PACKAGING**  
TRAY



RoHS Compliant

PROJECTION:



GENERAL TOLERANCE

.X =  $\pm 0.25$

.XX =  $\pm 0.20$



APPROVAL: NPr

UNIT: MM

SCALE:

SHEET: 1/3

DRAW: QL

DESCRIPTION: USB 2.0 TYPE B

WERI PART NO: 614 004 161 21

SIZE

**A4**

Q	11-AUG-15	PCN	QP
P	09-AVR-15	PCB THICKNESS	QP
O	27-OCT-14	REVIEW	QL
REV	DATE	FILE	BY

1

2

3

4

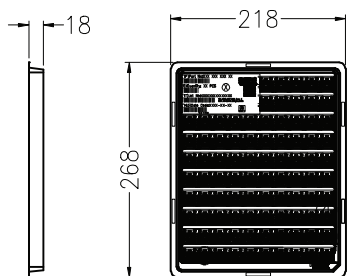
5

A

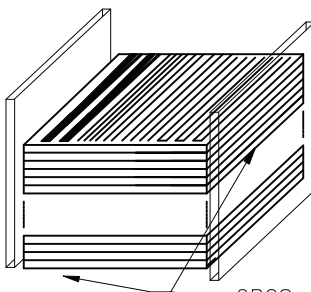
B

C

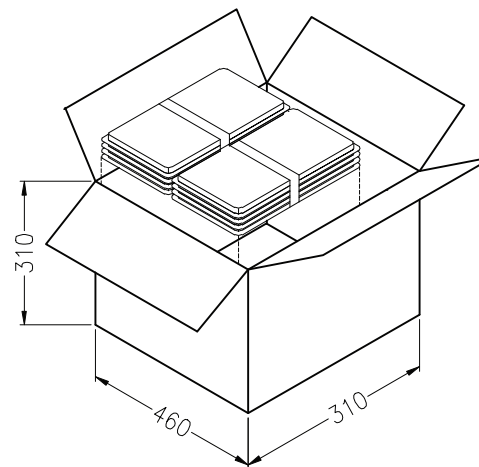
D



268\*218\*18mm



315x234x19MM



### Packaging Qty

100 pcs/tray	32 trays/carton	3200 pcs/carton
--------------	-----------------	-----------------

RoHS Compliant

PROJECTION:



GENERAL TOLERANCE

.X = +/- 0.25

.XX = +/- 0.20



APPROVAL: NPr

UNIT: MM

SCALE:

SHEET: 2/3

DRAW: QP

DESCRIPTION: USB 2.0 TYPE B

WERI PART NO: 614 004 161 21

SIZE

**A4**

REV	DATE	FILE	BY
-----	------	------	----

1

2

3

4

5

## Cautions and Warnings:

This electronic component is designed and developed with the intention for use in general electronics equipments.

Before incorporating the components into any equipments in the field such as aerospace, aviation, nuclear control, submarine, transportation, (automotive control, train control, ship control), transportation signal, disaster prevention, medical, public information network etc. where higher safety and reliability are especially required or if there is possibility of direct damage or injury to human body, Würth Elektronik must be asked for a written approval.

In addition, even electronic component in general electronic equipments, when used in electrical circuits that require high safety, reliability functions or performance, the sufficient reliability evaluation-check for the safety must be performed before by the user before usage.

A

B

C

RoHS Compliant

G				PROJECTION: 	GENERAL TOLERANCE .X = +/- 0.2 .XX = +/- 0.15		
F							
E							
D							
C				APPROVAL: JC	UNIT: MM	DESCRIPTION: DISCLAIMER	SIZE <b>A4</b>
B					SCALE:		
A	10-SEP-14	PDF	QL		SHEET: 3/3	WERI PART NO: DISCLAIMER	
REV	DATE	FILE	BY		DRAW: QL		

D