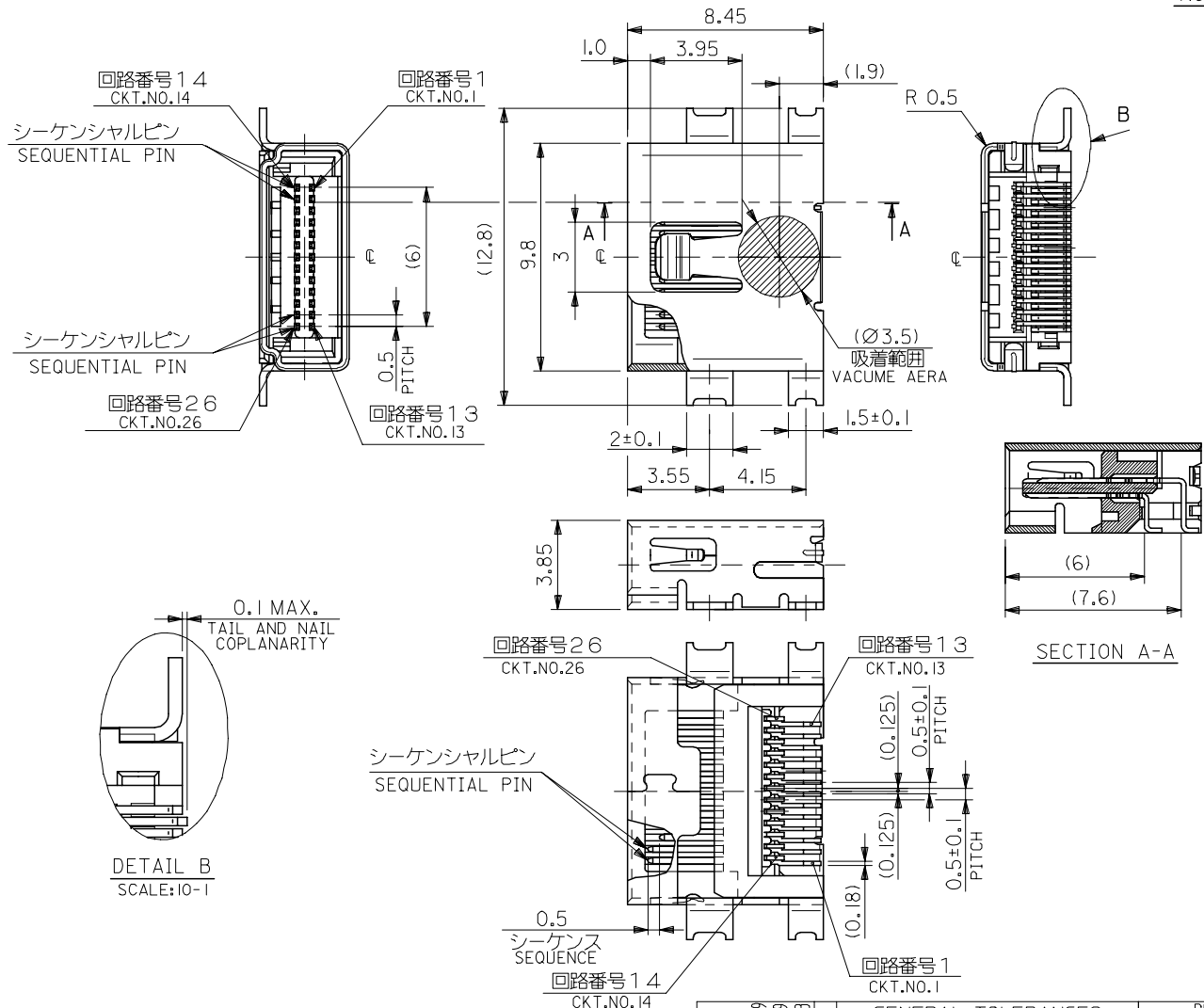
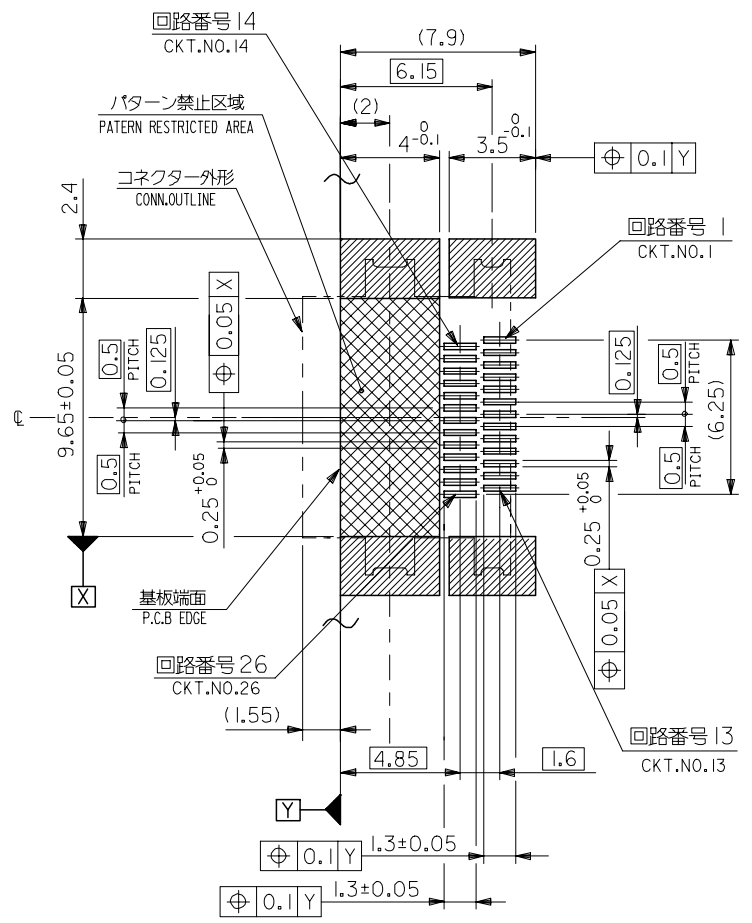
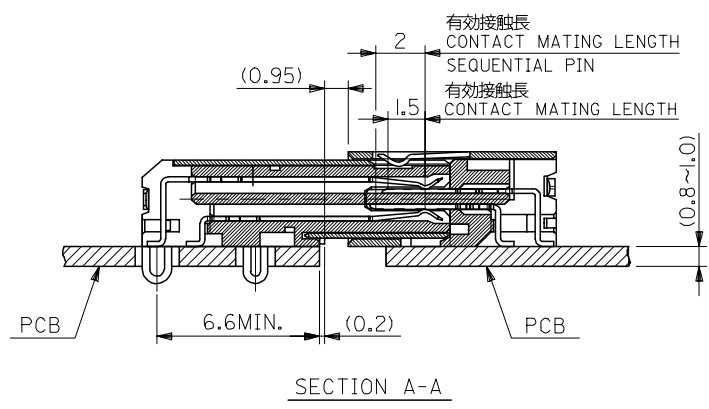
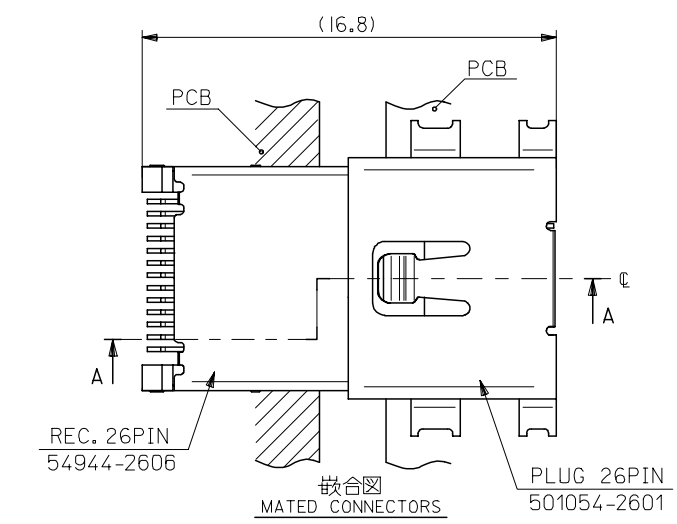


- NOTE:**
- 適合リセ番号: 54944-2606
APPLICABLE REC. NO.: 54944-2606
 - 材質
MATERIAL
 - ハウジング: ガラス入り耐熱樹脂
94V-0, 黒色
HOUSING: G.F.HEAT RESISTANT PLASTIC
94V-0, BLACK COLOR
 - ターミナル: 銅合金
TERMINAL COPPER ALLOY
 - プラグ シールド: ステンレス鋼
PLUG SHIELD STAINLESS STEEL
 - メッキ仕様
PLATING
 - ターミナル
TERMINAL
 - 接点部 : 金メッキ 0.1umMIN.
CONTACT AREA GOLD
 - パラジウムニッケルメッキ 0.2umMIN.
PALLADIUM-NICKEL
 - 半田付け部 : 錫メッキ 1.0um MIN.
SOLDER TAIL AREA TIN
 - 下地メッキ : ニッケルメッキ 1.5 ~ 3um
UNDER-PLATING NICKEL
 - プラグ シールド
PLUG SHIELD
 - 金コート処理
GOLD COATING
 - 下地メッキ : ニッケルメッキ 1.0 ~ 2um
UNDER-PLATING NICKEL
 - コネクタの剥離強度: 29.4N (3kgf) MIN.
PEEL-OFF FORCE OF CONNECTOR.
(剥離方向は下図参照)
(PEELING DIRECTION AS SHOWN IN FOLLOWING FIG.)
剥離方向 PEEL-OFF DIRECTION
コネクタ CONNECTOR
基板 P.C.B.
 - 本製品は 55884-2601 のフリー品である。
THIS PRODUCT IS LEAD FREE OF 55884-2601.

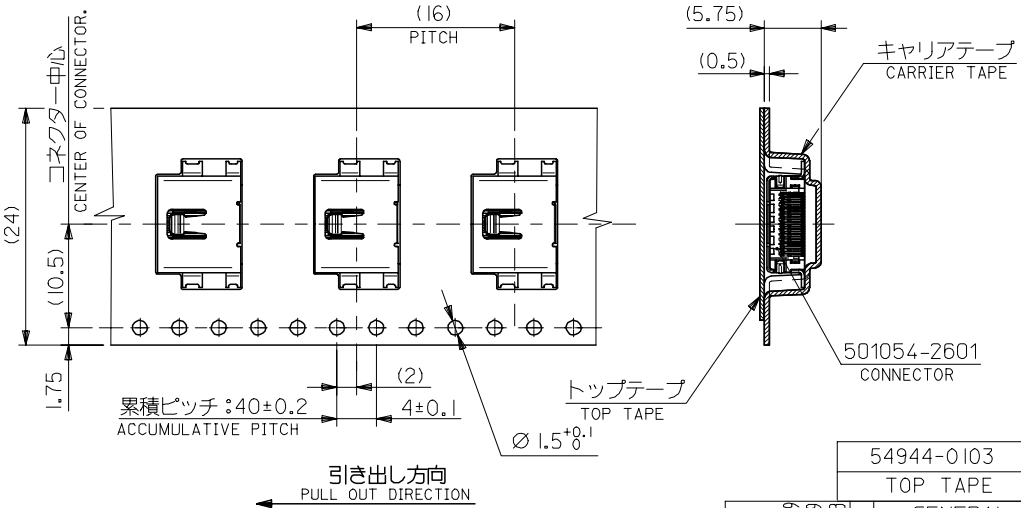
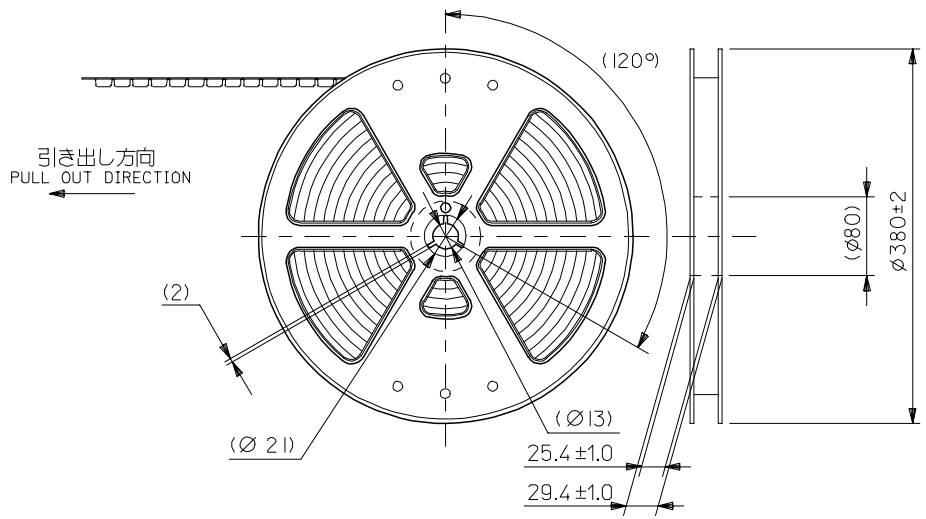


RELEASED EC NO: J2005-0066 DRAWN: MNABE1 2004/07/09 CHKD: KTOJO 2004/07/09 APPR: NUKITA 2004/07/13 REV: 0	GENERAL TOLERANCES (UNLESS SPECIFIED)		DIMENSION STYLE MM ONLY		SCALE 5:1	DESIGN UNITS METRIC	THIRD ANGLE PROJECTION
	10 UNDER	±0.2	DRAWN BY MNABE1	DATE '04/07/05	TITLE 0.5 I/O CONN PLUG HS'G ASSY 26CKT -LEAD FREE-		
	10 OVER 30 UNDER	±0.25	CHECKED BY KTOJO	DATE '04/07/05	MOLEX INCORPORATED		
	30 OVER	±0.3	APPROVED BY NUKITA	DATE '04/07/05	DOCUMENT NO. SD-501054-001	SHEET NO. 1 OF 2	
	ANGULAR	±3 °	MATERIAL NO. SEE CHART				
DRAFT WHERE APPLICABLE MUST REMAIN WITHIN DIMENSIONS		THIS DRAWING CONTAINS INFORMATION THAT IS PROPRIETARY TO MOLEX INCORPORATED AND SHOULD NOT BE USED WITHOUT WRITTEN PERMISSION					



RELEASED EC NO: J2005-0066 DRAWN: MNABE 2004/07/09 CHKD: KTOJO 2004/07/09 APPR: NUKITA 2004/07/13 REV: 0	GENERAL TOLERANCES (UNLESS SPECIFIED)		DIMENSION STYLE MM ONLY		SCALE 5:1	DESIGN UNITS METRIC	THIRD ANGLE PROJECTION	
	10 UNDER	±0.2	DRAWN BY MNABE1	DATE '04/07/05	TITLE 0.5 I/O CONN PLUG HS'G ASSY 26CKT -LEAD FREE-			
	10 OVER 30 UNDER	±0.25	CHECKED BY KTOJO	DATE '04/07/05				
	30 OVER	±0.3	APPROVED BY NUKITA	DATE '04/07/05	MOLEX INCORPORATED			
	ANGULAR	±3 °	MATERIAL NO.	DOCUMENT NO.				
DRAFT WHERE APPLICABLE MUST REMAIN WITHIN DIMENSIONS		SEE CHART		SD-501054-001		2 OF 2		

10 9 8 7 6 5 4 3 2 1



注記
NOTES

- 製品番号501054-2601の寸法詳細は SD-501054-001 参照
IN THE PACKAGE PART NO.501054-2601 DETAILED DIMENSION, SEE SD-501054-001.
- 梱包数量： 800 個/リール
NUMBER OF CONNECTORS: 800 PCS/REEL
- リードテープ長さ
LEAD TAPE LENGTH
引き出し方向
PULL OUT DIRECTION
トップテープ接着部
TOP TAPE BONDED PART
(空エンボス)
(EMPTY)
20-25PCS.
- トップテープの剥離強度： 0.1~1.3N (10~130gf)
(剥離方向は下図参照) キャリアテープ幅： 24mm
PEEL-OFF FORCE OF TOP TAPE: 0.1~1.3N (10~130gf)
(PEELING DIRECTION AS SHOWN IN FOLLOWING FIG.)
CARRIER TAPE WIDTH
尚、本規格値は、出荷時に適用。
THIS REQUIREMENTS SHOULD BE APPLIED AT SHIPMENT
(但し、輸送時に剥離が発生しない事。)
(PEEL OFF SHOULD NOT BE ALLOWED, DURING TRANSPORTATION)
剥離方向
PEEL OFF DIRECTION
10°
- 材料
MATERIAL
キャリアテープ：ポリプロピレン
CARRIER TAPE: POLYPROPYLENE
トップテープ：ポリエステル、ポリエチレン
TOP TAPE: POLYESTER, POLYETHYLENE
リール：ポリスチレン
REEL: POLYSTYRENE
- 本製品は 55884-2690 の鉛フリー品である。
THIS PRODUCT IS LEAD FREE OF 55884-2690.

54944-0103	59499-7803	59405-1626	26	501054-2601	501054-2670
TOP TAPE	REEL	EMBOSSSED TAPE	CKT	CONNECTOR	MATERIAL NO.

RELEASED EC NO: J2005-0066 2004/07/09 DRAWN: MNABE 2004/07/09 CHKD: KTOJO 2004/07/13 APPR: NUKITA	GENERAL TOLERANCES (UNLESS SPECIFIED)		DIMENSION STYLE MM ONLY		SCALE ---	DESIGN UNITS METRIC	THIRD ANGLE PROJECTION
	10 UNDER	±0.2	DRAWN BY MNABE1	DATE '04/07/05	TITLE EMBOSSSED TAPE PACKAGE FOR 501054-2601 -LEAD FREE- MOLEX INCORPORATED		
	10 OVER 30 UNDER	±0.25	CHECKED BY KTOJO	DATE '04/07/05			
	30 OVER	±0.3	APPROVED BY NUKITA	DATE '04/07/05			
	ANGULAR ±3 °		MATERIAL NO. SEE CHART		DOCUMENT NO. SD-501054-002		SHEET NO. 1 OF 1
DRAFT WHERE APPLICABLE MUST REMAIN WITHIN DIMENSIONS		THIS DRAWING CONTAINS INFORMATION THAT IS PROPRIETARY TO MOLEX INCORPORATED AND SHOULD NOT BE USED WITHOUT WRITTEN PERMISSION					