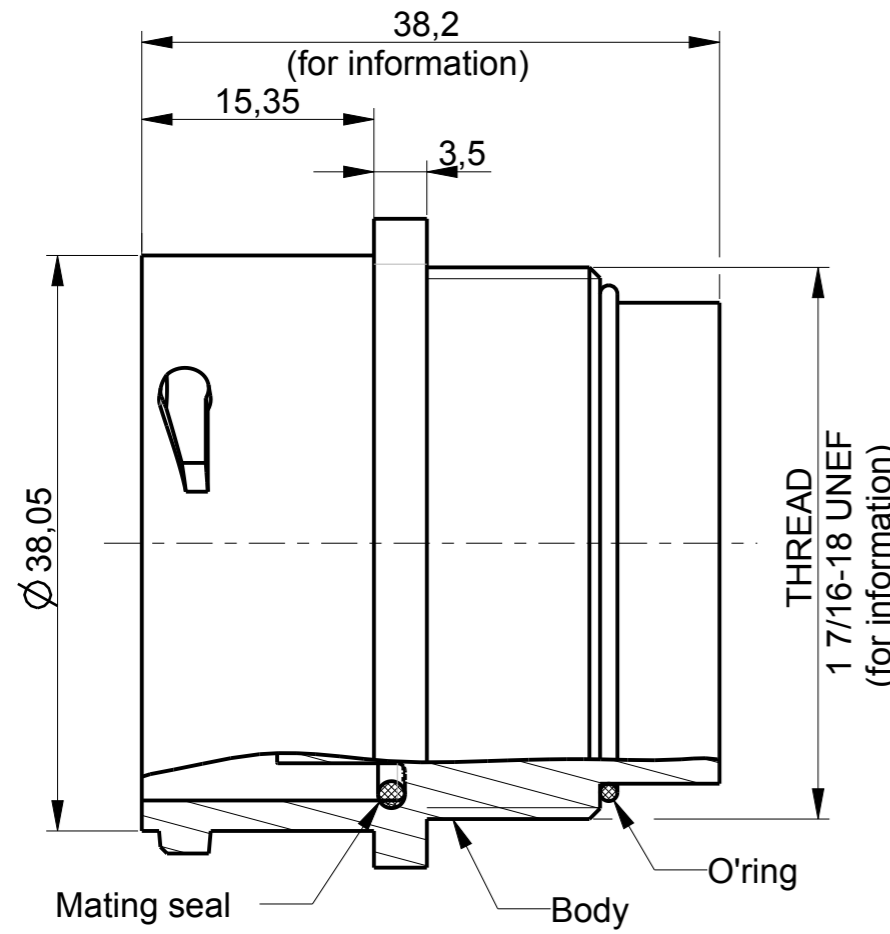
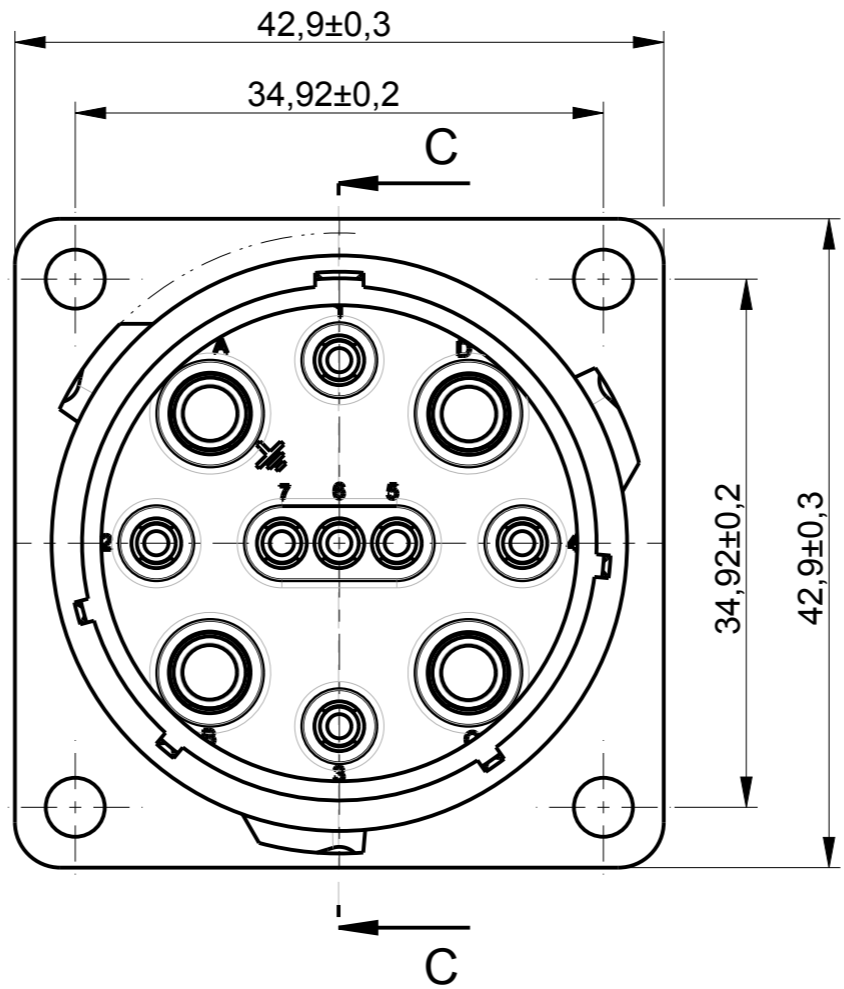


a:0;RL



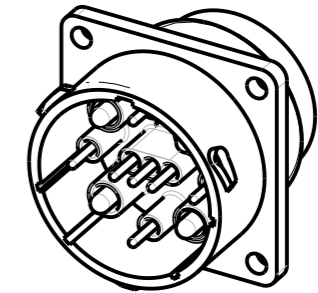
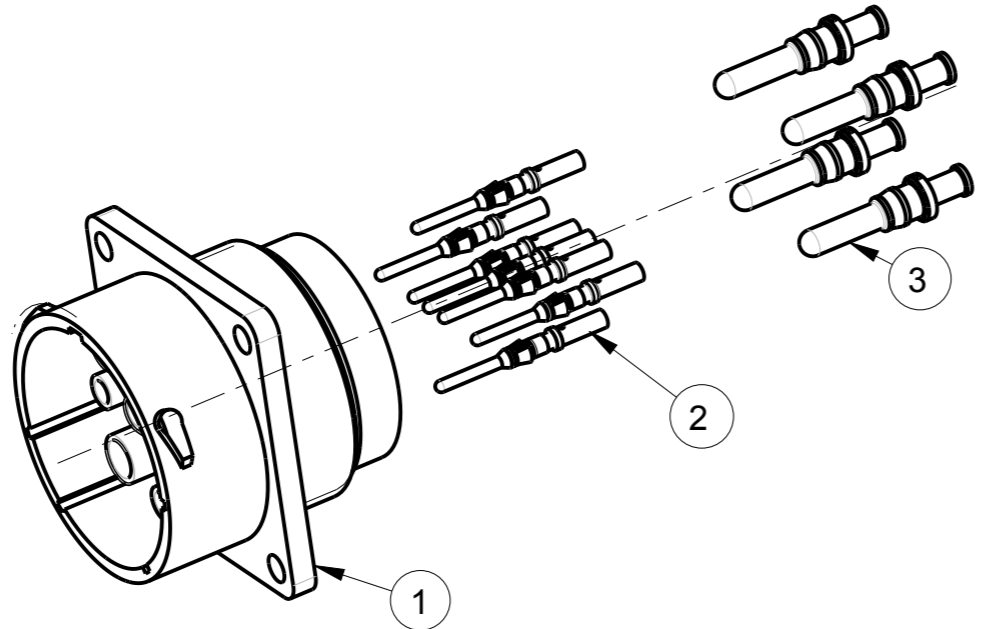
COUPE C-C



**MATERIAL:**  
 -Body :Thermoplastic black PBT GF30  
 -Mating seal :silicon  
 -O'ring: NBR

**PERFORMANCE CHARACTERISTICS:**  
 -Operating temperature : -30° up to +85°  
 -Test potential: 800 V  
 -Insulation resistance : 5 Gohms under 500V  
 -Operating voltage : 28V (for #8) and 24V (for #16)  
 -Rated current : 26A (for #8) et 13A (for #16)  
 -Contact resistance : <5 mohms by contact (for #8) and <6 mohms (for #16)  
 -Durability:100 matings and unmatings  
 -Level sealing : IP69K (mated connector only)  
 -Salt spray : 500H

**NOTES :**  
 -Contact are delivered separately



P/N : WME10003A

| REP | P/N       | DESCRIPTION             | COMMENTS                     | QTY |
|-----|-----------|-------------------------|------------------------------|-----|
| 1   | WME10003A | Male receptacle size 24 | Contact delivered separately | 1   |
| 2   | RM16M23K  | PIN #16                 | Delivered separately         | 7   |
| 3   | 82913603A | PIN #8                  | Delivered separately         | 4   |

|              |          |   |                           |  |
|--------------|----------|---|---------------------------|--|
| a            | 09/07/14 | New drawing                                 |                           | 23017SPR   |
| ISS          | DATE     | Latest modification - by: --                |                           | MOD N°   |
| Designed by: |          | J.FEURPRIER Date:09/07/14                   | CUSTOMER DRAWING          |  |
| TITLE        |          | MALE RECEPTACLE SIZE 24-11<br>WME CONNECTOR |                           |  |
| Scale        | 1/1      | General linear Tolerances: ± 0.2            | NPRDS / PROJECT IC131707A |  |
| SOURIAU      |          | WWW.SOURIAU.COM                             |                           | This document is the property of SOURIAU<br>It must not be reproduced or communicated without permission |
| FORMAT       | A3       | SOURIAU DRG N° WME1-0003A-C01               |                           | SHEET 1 / 1  |