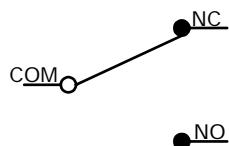


ISOMETRIC

O.P. (MM)	P.T. (MM)
8.5 ±0.3	1.1 MAX

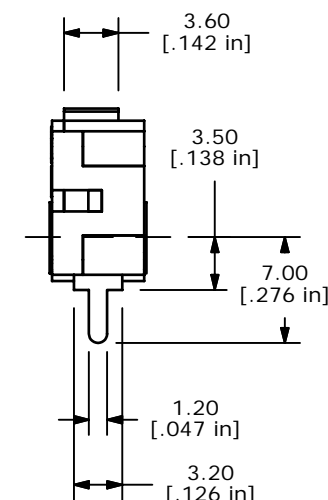
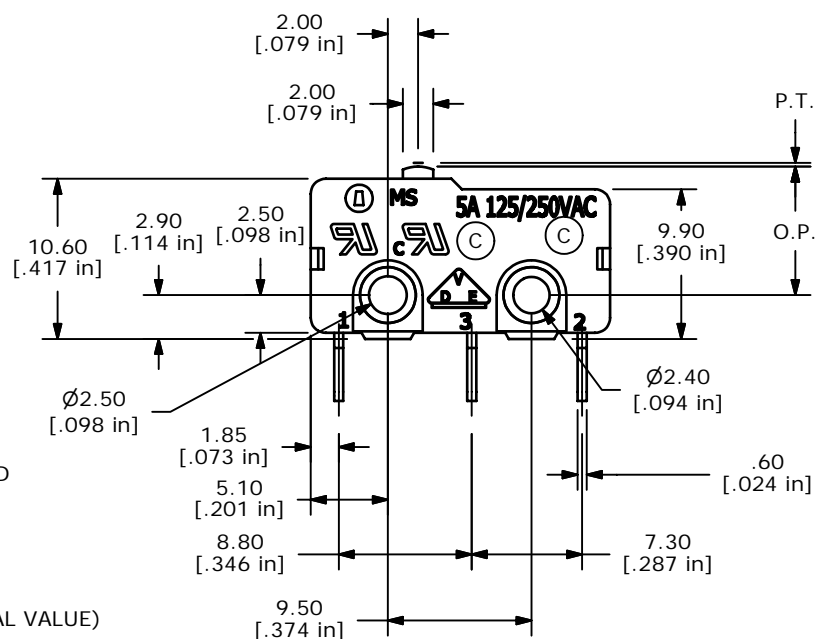
O.P. = OPERATING POINT
P.T. = PRE-TRAVEL



CIRCUIT: SPDT

NOTES:

1. ALL DIMENSIONS IN MM [INCH]
2. GENERAL TOLERANCE: X.X=±0.4
X.XX=±0.25
3. RATING: 5A @125/250VAC UL, CUL, VDE APPROVED
- ▲ 4. OPERATING FORCE: 080±25 GRAMS
5. OPERATING TEMP: -25°C TO 85°C
6. ELECTRICAL LIFE: 50,000 CYCLES MIN. (C)
7. MECHANICAL LIFE: 1,000,000 CYCLES TYP. (C)
8. INSULATION RESISTANCE: 100 MEGA-OHMS
9. DIELECTRIC STRENGTH: 1000VAC 1 MINUTE (INITIAL VALUE)
10. CONTACT RESISTANCE: 100 MILLI-OHMS MAX.
11. 2002/95/EC (ROHS) COMPLIANT.
12. ▲ DENOTES CRITICAL PARAMETER.



E	15716	DIM FROM 5.15 TO 5.10	1/27/06	PH
D	15612	CHANGE RATING ON SWITCH	12/16/05	PH
C	15595	CHANGES NOTED	12/7/05	PH
B	15572	EDIT FORCE NOTE FROM 60 TO 80gf	12/1/05	PH
A	15520	RELEASED FOR PRODUCTION	11/11/05	PH
REV	PCR NO	DESCRIPTION	DATE	BY

THE INFORMATION CONTAINED IN THIS DOCUMENT IS PROPRIETARY TO E-SWITCH AND IS NOT TO BE COPIED OR TRANSFERRED

E-SWITCH®

TITLE MS0850500F080P1A

SCALE	DATE	DR	DWG	REV
2:1	11/11/2005	PH	Q970046	E